



General characteristics

Colour	Grey
Type of positions	Selector switch
Material	Polycarbonate
IEC degree of protection	IP66, IP67, IP69K

Ambient conditions

Temperature

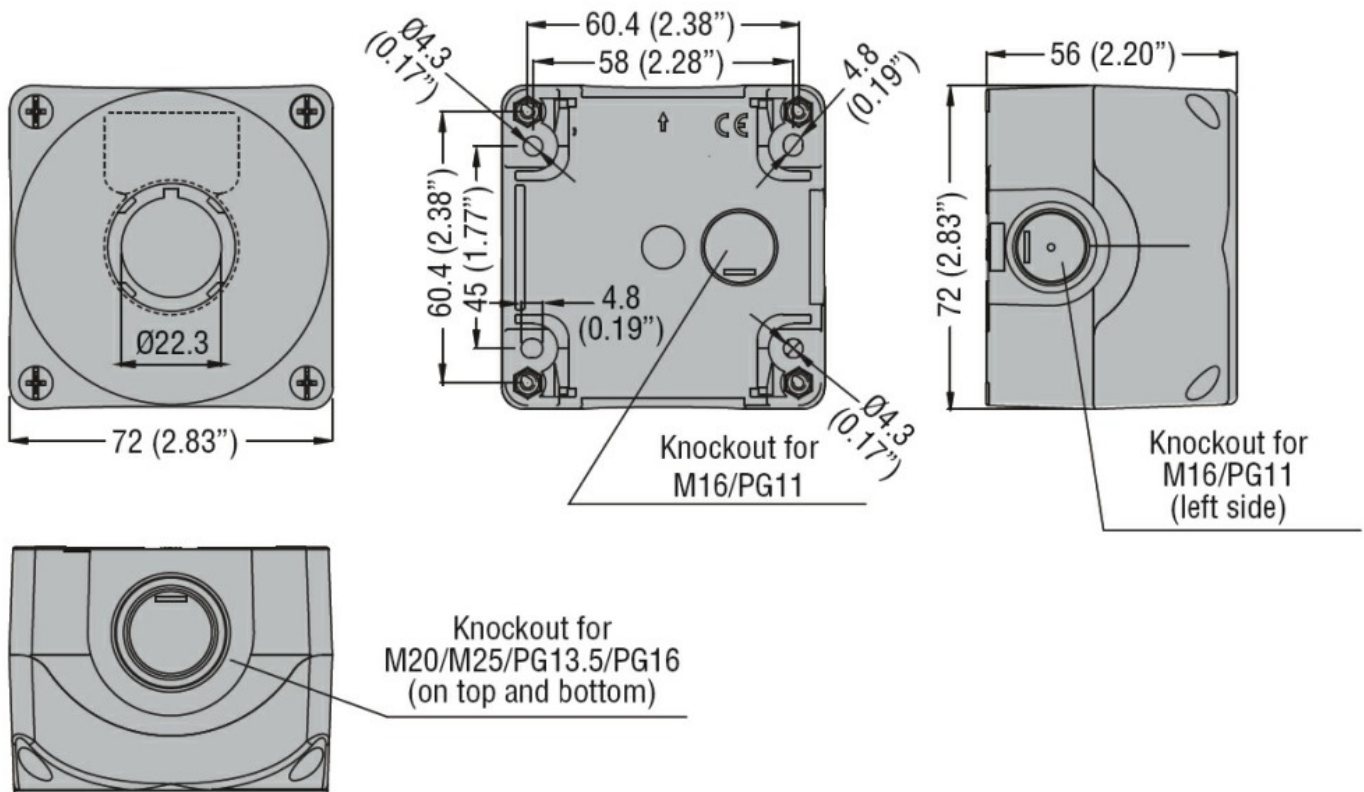
Operating temperature

min	°C	-25
max	°C	+70

Storage temperature

min	°C	-40
max	°C	+85

Dimensions



Certifications and compliance

Certificates

cULus

ETIM classification

ETIM 8.0

EC000225 -
Control circuit
devices
combination in
enclosure