

## FEATURES

- Our Transformer provides high-quality safety and isolating
- Exceptional low loss noise laminations
- The Transformer has an earth terminal provided
- The Isolation Transformer has reliable protection against humidity
- The Transformer is fully shrouded cage clamp terminal
- Transformer provides high efficiency with a low regulation
- Dual secondary windings centre tapped

## RS PRO 300VA Isolating Transformer, 230 V ac, 245 V ac, 400 V ac, 415 V ac Primary 1 x, $\pm 24V$ ac Secondary

RS Stock No.: 504-145



RS Professionally Approved Products bring to you professional quality parts across all product categories. Our product range has been tested by engineers and provides a comparable quality to the leading brands without paying a premium price.

## Product Description

It has been over 100 years since the introduction of the first commercial Transformer when the mass production began. Since then, many additional modifications we developed to support various applications, such as electromagnetic, relays, pumps or heating elements.

## General Specifications

<b>Number of Outputs</b>	1
<b>Applications</b>	Medical industry, Testing power devices, where transfer power between two circuits is mandatory

## Electrical Specifications

<b>Power Rating</b>	300VA
<b>Primary Voltage Rating</b>	230VAC, 245VAC, 400VAC, 415VAC
<b>Secondary Voltage Rating</b>	±24VAC
<b>Temperature Class</b>	B (130°)
<b>Flash test</b>	4.6kV prim./sec. 2kV sec./core

Input Data	
<b>Minimum Operating Frequency</b>	50Hz
<b>Maximum Operating Frequency</b>	60Hz

## Mechanical Specifications

<b>Mounting Type</b>	DIN-Rail
<b>Dimensions</b>	120mm x 143mm x 130mm
<b>Length</b>	120mm
<b>Width</b>	143mm
<b>Depth</b>	130mm
<b>Weight</b>	6.9kg

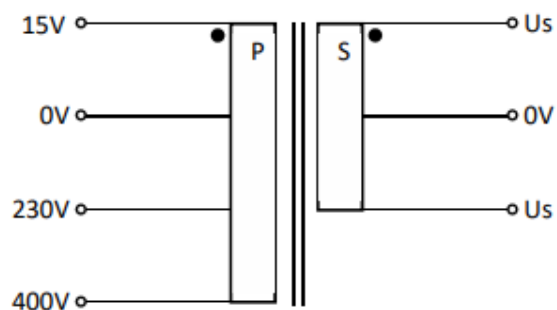
## Operation Environment Specifications

<b>Maximum Temperature</b>	+35°C
----------------------------	-------

## Approvals

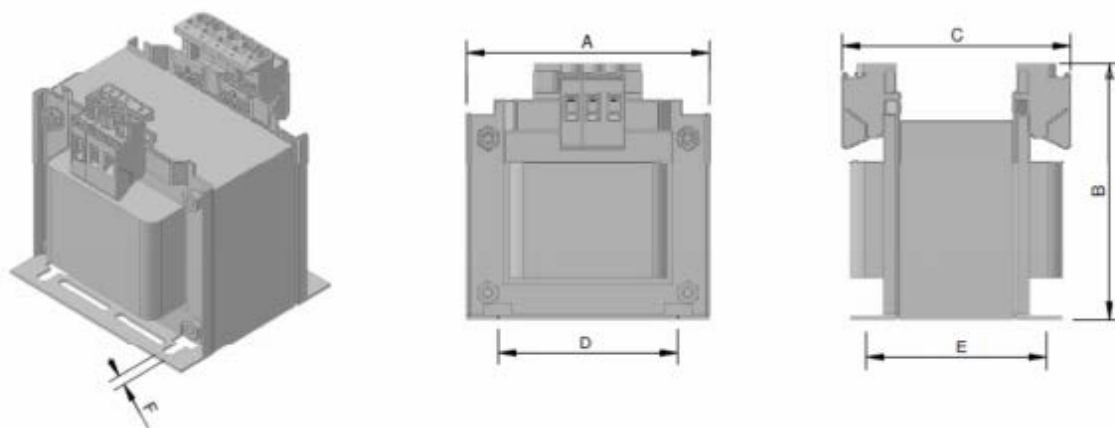
<b>Compliance/Certifications</b>	RoHS,CE
<b>Standards Met</b>	EN61558-1, EN61558-2-6, EN61558-2-4

### Schematic:



RS Stock number	Power VA	Specification	No-load voltage	According to
504290	50	Isolating Transformers + 15 – 0 – 230 - 400V / 12 – 0 - 12V	13.1	EN61558-2-6
504313	50	Isolating Transformers + 15 – 0 – 230 - 400V / 24 – 0 – 24V	25.8	EN61558-2-4
504296	50	Isolating Transformers + 15 – 0 – 230 - 400V / 55 – 0 - 55V	59	EN61558-2-4
504307	50	Isolating Transformers + 15 – 0 – 230 - 400V / 0 - 230V	243.2	EN61558-2-4
504303	100	Isolating Transformers + 15 – 0 – 230 – 400V / 12 – 0 – 12V	12.8	EN61558-2-6
504151	100	Isolating Transformers + 15 – 0 – 230 – 400V / 24 – 0 – 24V	25.6	EN61558-2-4
504161	100	Isolating Transformers + 15 – 0 – 230 - 400V / 55 – 0 - 55V	59	EN61558-2-4
504167	100	Isolating Transformers + 15 – 0 – 230 - 400V / 0 - 230V	244	EN61558-2-4
504177	150	Isolating Transformers + 15 – 0 – 230 - 400V / 12 – 0 - 12V	12.7	EN61558-2-4
504155	150	Isolating Transformers + 15 – 0 – 230 - 400V / 55 – 0 - 55V	58.1	EN61558-2-4
504173	200	Isolating Transformers + 15 – 0 – 230 - 400V / 12 – 0 - 12V	12.6	EN61558-2-6
504123	200	Isolating Transformers + 15 – 0 – 230 - 400V / 24 – 0 - 24V	25.3	EN61558-2-4
504133	200	Isolating Transformers + 15 – 0 – 230 - 400V / 55 – 0 - 55V	57	EN61558-2-4
504139	200	Isolating Transformers + 15 – 0 – 230 - 400V / 0 - 230V	239	EN61558-2-4
504149	300	Isolating Transformers + 15 – 0 – 230 - 400V / 12 – 0 - 12V	12.6	EN61558-2-6
504145	300	Isolating Transformers + 15 – 0 – 230 - 400V / 24 -0 - 24V	25.3	EN61558-2-4
504212	300	Isolating Transformers + 15 – 0 – 230 - 400V / 55 – 0 - 55V	57	EN61558-2-4
504218	500	Isolating Transformers + 15 – 0 – 230 - 400V / 55 – 0 - 55V	56.3	EN61558-2-4
504228	500	Isolating Transformers + 15 – 0 – 230 - 400V / 0 - 230V	238.4	EN61558-2-4
504224	1000	Isolating Transformers + 15 – 0 – 230 - 400V / 55 – 0 - 55V	56.1	EN61558-2-4
504234	1000	Isolating Transformers + 15 – 0 – 230 - 400V / 0 – 230V	235.3	EN61558-2-4

## Dimensions:



Power	Overall Size	Fixing	Fixing	Weight
[VA]	A x B x C [mm]	D x E [mm]	F [mm]	[kg]
50	84 x 91 x 84	64 x 64	4.5	1.9
100	84 x 91 x 97	64 x 72	4.5	2.5
150	108 x 110 x 90	84 x 72	6.5	3.5
200	108 x 110 x 114	84 x 92	6.5	5
300	120 x 130 x 143	90 x 106	6.5	6.9
500	120 x 130 x 143	90 x 106	6.5	7.5
1000	150 x 155 x 175	122 x 132	7	14.6