



R-A-V-BWZ-2A

This model is designed specifically for use in AC power line applications. This model uses specially treated discharge electrodes for greatly enhanced noise immunity test and surge life making it optimum for the protection of single-phase power supply circuits.

R-A-V-BXZ-2A

This model is designed specifically for use in three-phase power circuit applications. Combing multiple PAVs with specially treated electrodes for greatly enhanced noise immunity test and surge life, this model is constructed in a unit-molded body.

R-A-V-BYZ-2

This model is designed specifically for use in three-phase power circuit applications. It is designed to protect against "normal mode" noise transient surges.

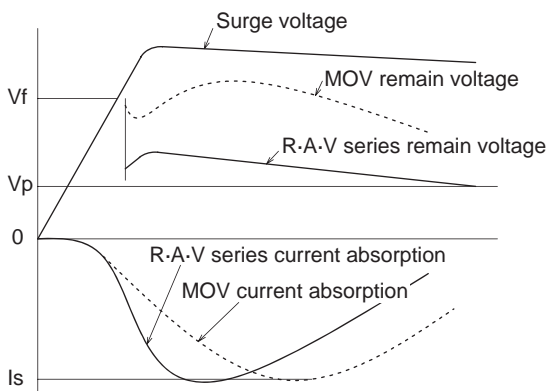
When used in conjunction with the RAV-BXZ-2A, it will furnish complete protection of equipment from both Normal and Common mode transient voltage surges.



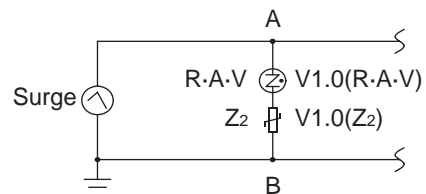
Safety Standard		File No.
UL	:UL1449 3rd.	E322107
CSA	:C22.2 No.8	LR105073



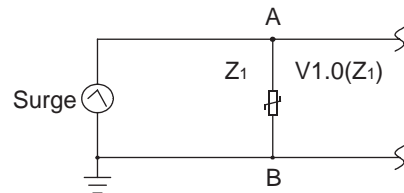
● *Surge Absorption Capacitance*
Remain Voltage Comparison Chart



Surge Absorber



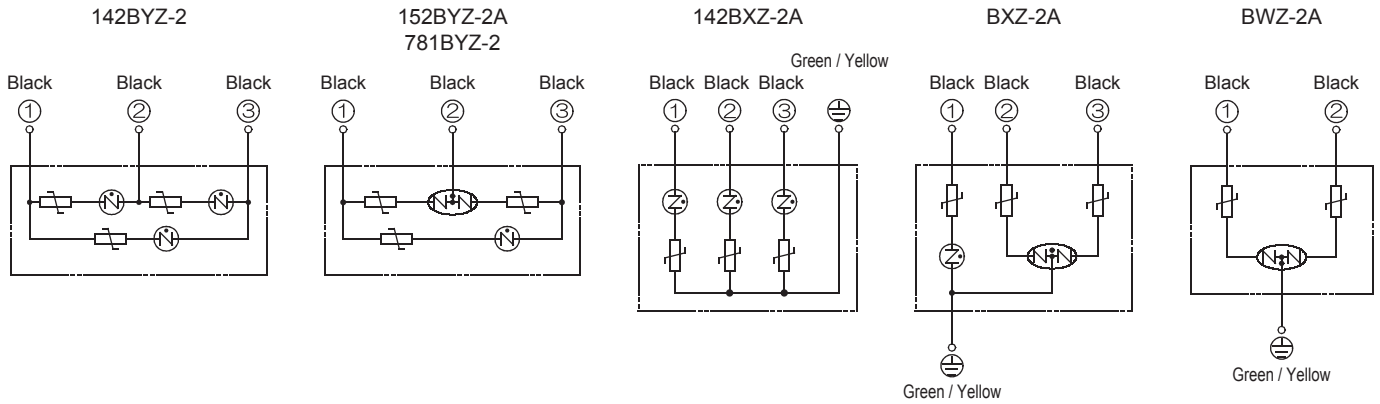
MOV



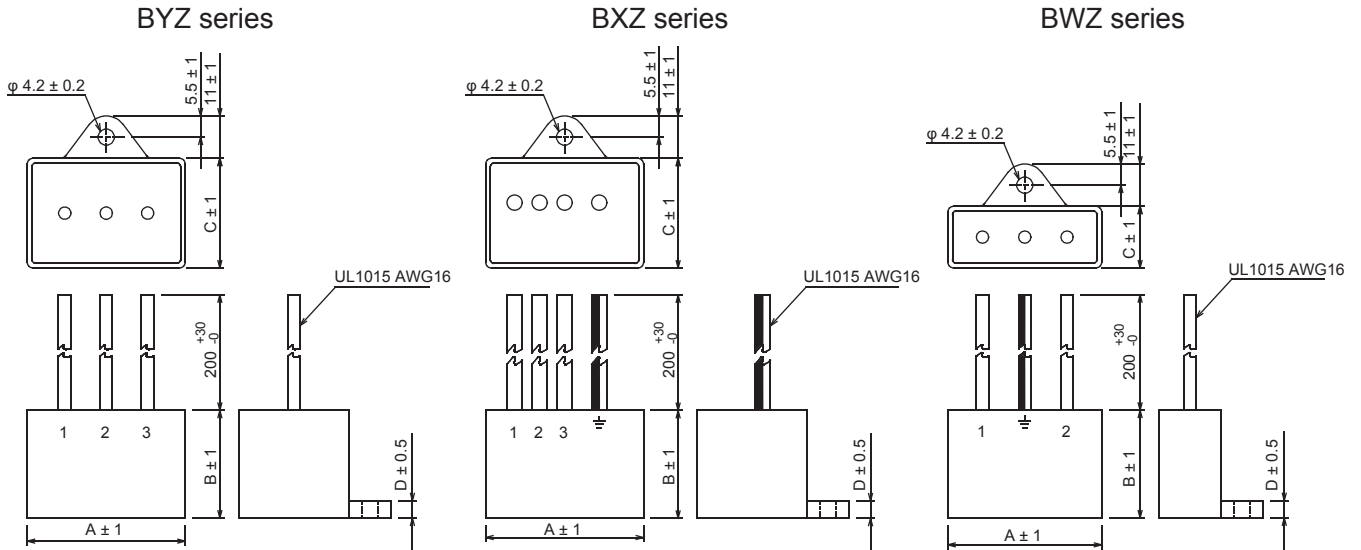
Vf: Breakdown voltage
 Vp: Peak circuit voltage
 $Vp = Vac \times \sqrt{2}$
 Max. surge current
 $Is: V1.0(R-A-V) + V1.0(Z2) = V1.0(Z1)$



● **Circuit**



● **Dimensions**



Unit: mm

Electrical Specifications

Safety Standard	Model Number	Line Voltage 50/60Hz		Max. Line Voltage (V)	Clamping Voltage (V) ±10%	Impulse Discharge Current 8/20µs (A)	Withstanding Impulse Voltage 1.2/50µs (V)	Capacitance (pF) *	Operating Temp. Range (°C)	Weight (g) Approx.	Dimensions (mm)			
											A	B	C	D
UL	R·A·V-401BWZ-2A	Single Phase	AC125V	145	403	2,500	20,000	100	-20 ~ +70	50	40	16	4.5	
	R·A·V-781BWZ-2A	Single Phase	AC250V	300	783			50						
SP	R·A·V-781BXZ-2A	Three Phase	AC250V	300	783	2,500	20,000	75	-20 ~ +70	100	41	28.5	4.5	
	R·A·V-781BYZ-2							50						
—	R·A·V-142BXZ-2	Three Phase	AC400V	450	1,385	1,000	12,000	40	-20 ~ +70	140	59.9	43.5	30.6	5
	R·A·V-142BYZ-2							50						
	R·A·V-152BXZ-2A	Three Phase	AC460V	500	1,470	2,500	20,000	35	100	41	28	28.5	4.5	
UL	R·A·V-152BYZ-2A	Three Phase	AC460V	500	1,470	2,500	20,000	35	-20 ~ +70	100	41	28	28.5	4.5

* Reference Value