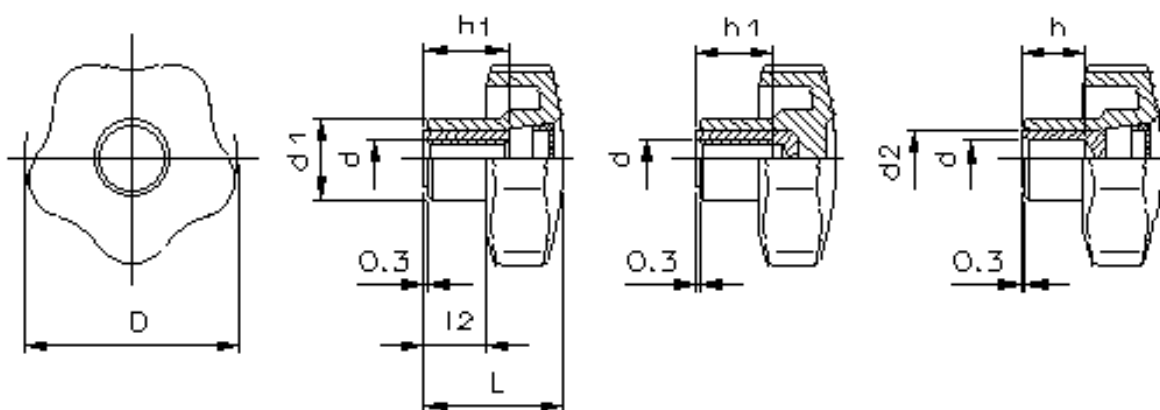


VCT.

ELESA original design

Lobe knobs



| Standard Elessa | | Main dimensions | | | | | Mounting hole | | | | Weight |
|-----------------|-------------|-----------------|----|----|----|----|---------------|-----|----|----|--------|
| Code | Description | D | L | d1 | d2 | l2 | dH9 | d6H | h | h1 | grams |
| 69811 | VCT.25B-M4 | 25 | 19 | 13 | - | 8 | - | M4 | - | 10 | 7 |
| 69812 | VCT.25B-M5 | 25 | 19 | 13 | - | 8 | - | M5 | - | 10 | 6 |
| 69813 | VCT.25B-M6 | 25 | 19 | 13 | - | 8 | - | M6 | - | 10 | 6 |
| 69843 | VCT.32B-M5 | 32 | 19 | 13 | - | 10 | - | M5 | - | 12 | 11 |
| 69844 | VCT.32B-M6 | 32 | 19 | 13 | - | 10 | - | M6 | - | 12 | 11 |
| 69892 | VCT.40A-8 | 40 | 27 | 17 | 12 | 12 | 8 | - | 14 | - | 36 |
| 69893 | VCT.40B-M6 | 40 | 27 | 17 | - | 12 | - | M6 | - | 18 | 26 |
| 69894 | VCT.40B-M8 | 40 | 27 | 17 | - | 12 | - | M8 | - | 18 | 24 |
| 69951 | VCT.50A-8 | 50 | 32 | 19 | 12 | 14 | 8 | - | 14 | - | 37 |
| 69952 | VCT.50A-10 | 50 | 32 | 19 | 15 | 14 | 10 | - | 16 | - | 34 |
| 69953 | VCT.50B-M8 | 50 | 32 | 19 | - | 14 | - | M8 | - | 20 | 38 |
| 69954 | VCT.50B-M10 | 50 | 32 | 19 | - | 14 | - | M10 | - | 20 | 34 |

| | | | | | | | | | | | |
|-------|-------------|----|----|----|----|----|----|-----|----|----|----|
| 69955 | VCT.50B-M12 | 50 | 32 | 19 | - | 14 | - | M12 | - | 20 | 30 |
| 70001 | VCT.63A-8 | 63 | 37 | 19 | 15 | 16 | 8 | - | 20 | - | 52 |
| 70002 | VCT.63A-10 | 63 | 37 | 19 | 16 | 16 | 10 | - | 21 | - | 49 |
| 70013 | VCT.63B-M10 | 63 | 37 | 19 | - | 16 | - | M10 | - | 26 | 42 |
| 70014 | VCT.63B-M12 | 63 | 37 | 19 | - | 16 | - | M12 | - | 26 | 55 |

Special black matte finish, high impact strength technopolymer. Resistant to solvents, oils, greases and other chemical agents. Special black technopolymer [centre cap](#). Can be supplied assembled in other colours (Ø from 32 to 63 mm) or personalised with marks and words on request and for sufficient quantities.

Metal insert

A- black oxide steel with plain blind hole

B- brass with tapped hole (Ø 25 mm blind hole; Ø from 32 to 63 mm through hole).

The special type of technopolymer used and matte finish make this knob elegant and soft to touch. The operator obtains a strong clamping action without any discomfort due to its ergonomic design: five lobes, blended radius and well-proportioned rim height assure a natural, safe and comfortable grip.

The [coloured centre caps](#) are also available as accessories sold separately.
