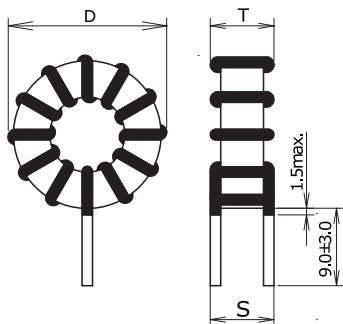


KEMET Part Number: PHBC8S-0R6A0043V
(UALP8S0R6A0043)

KEMET, PHBC, AC Line Filters, Normal Mode, 43 uH, 20%



Dimensions

D	17mm MAX
T	9.1mm MAX
LL	9mm +/-3mm
S	7mm NOM

Packaging Specifications

Packaging:	Tray
Packaging Quantity:	700
Weight:	5 g

General Information

Series:	PHBC
Style:	Through-Hole
Features:	Switching Power Supply Outlet, DC-DC Converter, Phase Compensation, Noise Solution
RoHS:	Yes
Miscellaneous:	20 (K) Temperature Rise Max.

Specifications

Inductance:	43 uH (0.1 MHz)
Inductance Tolerance:	20%
Current:	2 A
Temperature Range:	-40/+125°C
DC Resistance:	54.1 mOhms