

PLEASE CHECK WWW.MOLEX.COM FOR LATEST PART INFORMATION

Part Number: [35965-0210](#)
Status: **Active**
Description: 1.78mm Tab Multiple Wire-to-Wire Female Housing, 2 Circuits, Vertical, Type B

Documents:

[3D Model](#) [Packaging Specification PK-35965-001 \(PDF\)](#)
[Drawing \(PDF\)](#) [RoHS Certificate of Compliance \(PDF\)](#)
[Product Specification PS-35180-002 \(PDF\)](#)

Agency Certification

UL E29179

General

Product Family Crimp Housings
 Series [35965](#)
 Application Power, Wire-to-Wire
 Product Name N/A
 UPC 800753131828

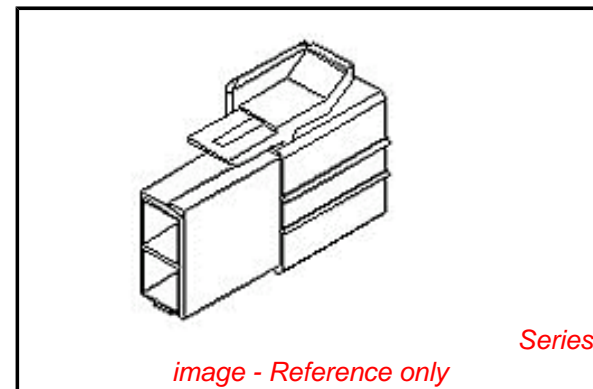
Physical

Circuits (maximum) 2
 Gender Female
 Glow-Wire Compliant No
 Net Weight 2.087/g
 Number of Rows 2
 Packaging Type Bag
 Panel Mount No
 Pitch - Mating Interface 8.00mm
 Stackable No
 Temperature Range - Operating -40°C to +120°C

Material Info

Reference - Drawing Numbers

Packaging Specification PK-35965-001
 Product Specification PS-35180-002
 Sales Drawing SD-35965-021*



EU RoHS

**ELV and RoHS
 Compliant
 REACH SVHC
 Contains SVHC: No
 Low-Halogen Status
 Not Low-Halogen**

China RoHS



**Need more information on product
 environmental compliance?**

Email productcompliance@molex.com
 For a multiple part number RoHS Certificate of
 Compliance, [click here](#)

Please visit the [Contact Us](#) section for any
 non-product compliance questions.

Search Parts in this Series

[35965Series](#)

Mates With

[35180](#)

Use With

[35746](#)

PLEASE CHECK WWW.MOLEX.COM FOR LATEST PART INFORMATION