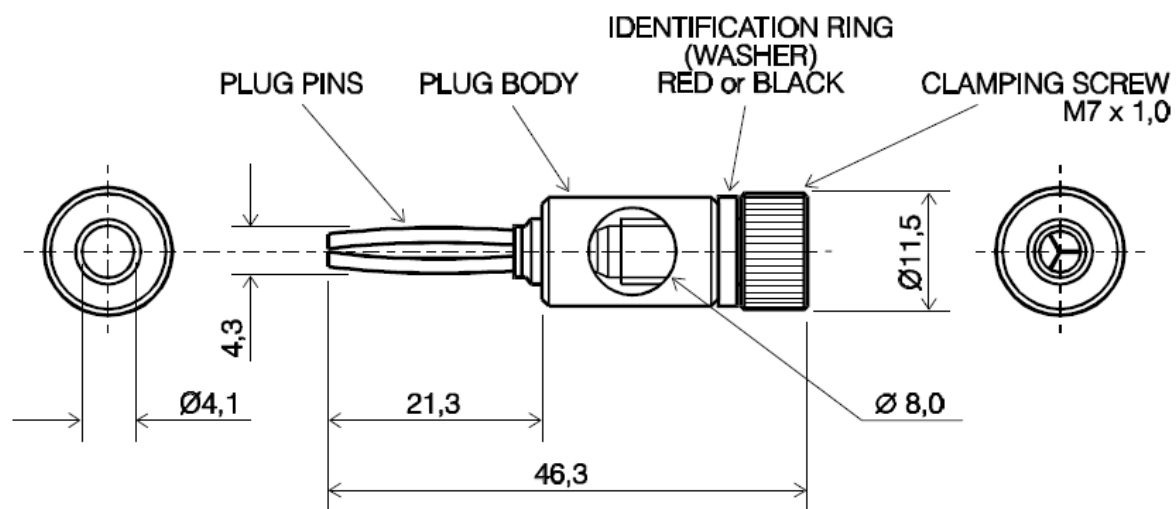


Datasheet

1 Way Male Black Loudspeaker Connector

RS Stock number [458-229](#)



DIMENSIONS IN MILLIMETRES

Description:

A high quality plug that will accept cable up to 7.5mm in diameter, and is stackable. Connection is made by a knurled screw clamp through which smaller wires can be inserted. This product is designed primarily for the use in the audio industry for terminating heavy duty speaker cable and interconnection between speaker and amplifier. The product is available individually line coded in black and red, supplied with a gold plated finish.