



The M Series miniature joystick is a low profile potentiometric controller providing precision multi-axes finger-positioning control. Available with up to three axes and two pushbuttons, the M Series joystick is ideal for applications requiring a compact low operating force controller. Featuring 17 ergonomically designed handles, typical applications include CCTV, robotics, electric wheelchairs, and measurement systems. The M Series is the de facto standard industrial joystick for the CCTV professional.



KEY FEATURES

- World's #1 selling joystick for CCTV applications
- Potentiometric sensing
- One, two or three axes
- Low profile design with 17 handle options



M series

Miniature resistive joysticks

OPTION SELECTION



SERIES

MOUNTING BEZEL
C Split Bezel
F Square Bezel
L Rubber Boot Kit

MODEL

1	2 Axes
2	2 Axes with Pushbuttons
3	3 Axes
4	3 Axes with Pushbuttons

CENTERING

0	Spring Centering
6	Torque Set (Friction)

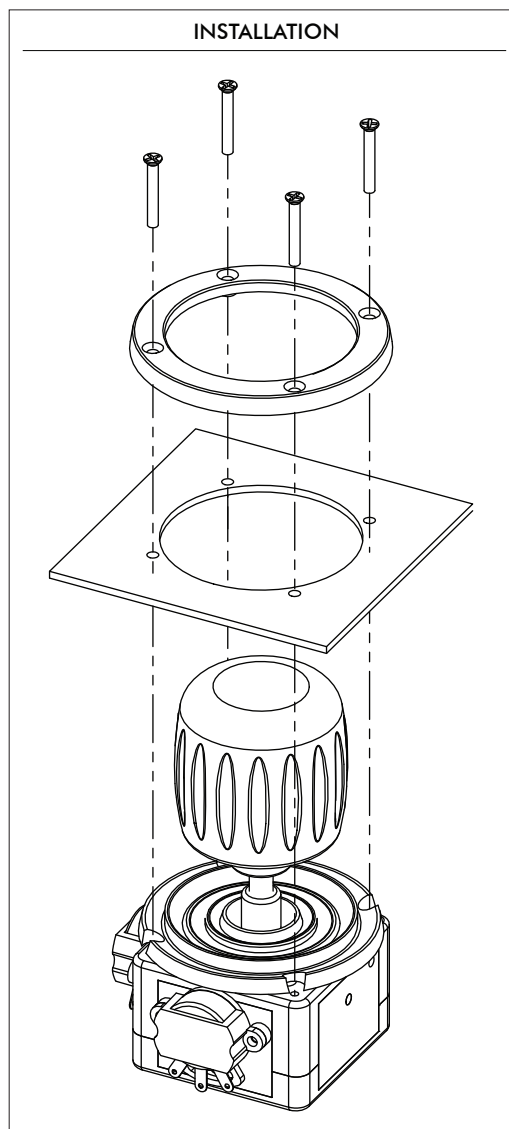
HANDLE

0	Tapered Convex
1	Concave Tip
2	Flat Tipped
3	Concave Tip - Long
5	Pushbutton
6	Straight Tip - Short
8	3 Axes
9	3 Axes with Pushbutton
A	Straight Tip - Mid
B	Straight Tip - Long
C	Ball Tip
E	Pushbutton
G	Pushbutton
H	Pushbutton
M	3 Axes No Button
N	3 Axes with 1 Button
Q	3 Axes with 2 Buttons

OUTPUT OPTIONS

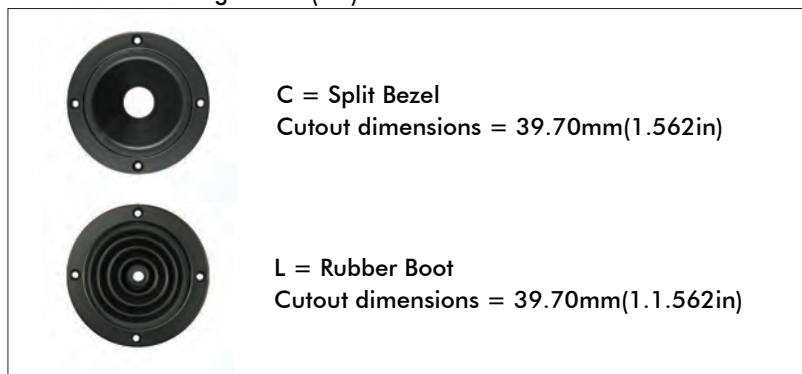
Potentiometers³ :

P	5KΩ, 220°
M	5KΩ, 56°
R	5KΩ, 50°

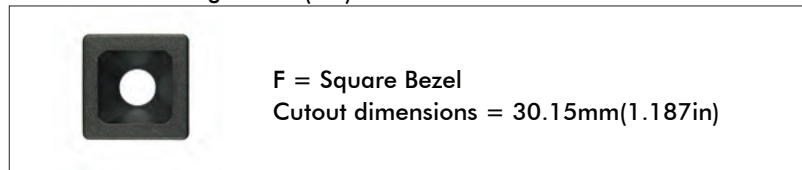


NOTES

1. Front Mounting Bezels (FM)



2. Rear mounting bezels (RM)



3. Potentiometer specifications are located on the next page.



Mounting accessories. Standard hardware includes:

- C = Ring, cup, and 4 black screws 2-56x1/2in
- L = Ring and 4 black screws 2-56x1/2in
- F = Square bezel, 4 screws 2-56x1/2in, and 4 screws 2-56x1/4in

Note: The company reserves the right to change specifications without notice.

M series

Miniature resistive joysticks

SPECIFICATIONS

MECHANICAL (FOR X AND Y AXES)

Break Out Force	-	0.7N (0.16lbf)
Operating Force	-	1.3N (0.29lbf)
Maximum Applied Force	-	100N (22.48lbf)
Mechanical Angle of Movement	-	56°
Expected Life	-	See potentiometer options
Mass/weight	-	Varies
Package Size (mm) (L x W x H) or (Dia x H)	-	Varies
Lever Action (Centering)	-	Spring or Friction

MECHANICAL (FOR Z AXIS)

Break Out Torque	-	0.022N·m (0.19lbf·in)
Operating Torque	-	0.040N·m (0.35lbf·in)
Maximum Allowable Torque	-	0.049N·m (0.43lbf·in)
Mechanical Angle	-	90°
Handle Action	-	Spring

ENVIRONMENTAL

Operating Temperature	-	-25°C to 70°C (-13°F to 158°F)
Storage Temperature	-	-40°C to 70°C (-40°F to 158°F)

POTENTIOMETER OPTIONS

Potentiometer	P	M	R
Electrical Element	Conductive Plastic	Conductive Plastic	Conductive Plastic
Track Resistance	5K	5K	5K
Linearity	±1.0%	±5.0%	±1.0%
Track Operating Angle	220°	56°	50°
CRV	±1.5%	±1.5%	±1.0%
Power Dissipation	0.25W @ 40°C	0.5W @ 70°C	1W
Rotational Life	1,000,000	1,000,000	10,000,000

CENTERING OPTIONS

- **SPRING CENTERING**
The joystick returns to center when the handle is released.
- **TORQUE SET**
Torque set provides absolute positioning with uniform friction applied to "X" and "Y" axes.

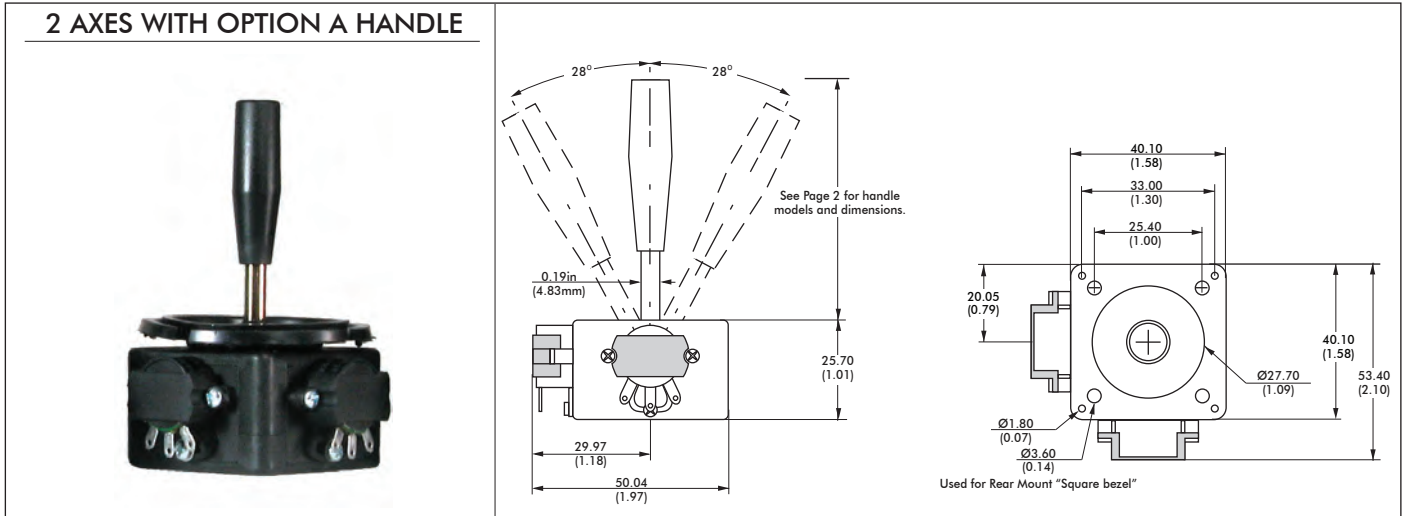
NOTES:

- All values are nominal
- Specifications are subject to the joystick configuration. Contact Technical Support for the performance of your specific configuration
- The M Series is intended for internal applications

M series

Miniature resistive joysticks

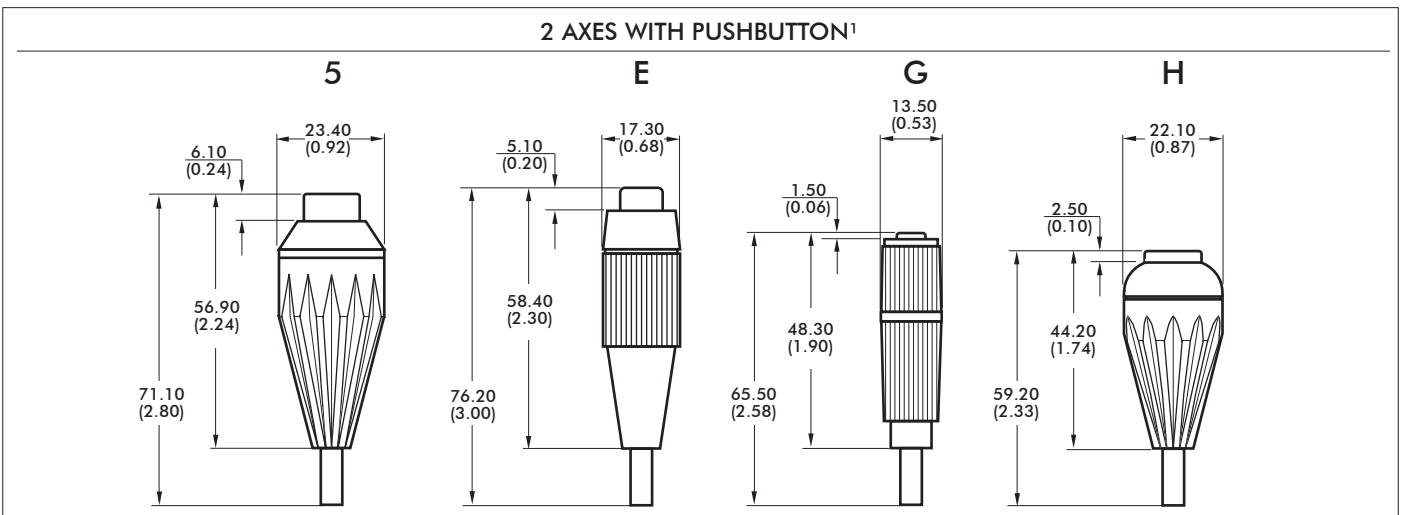
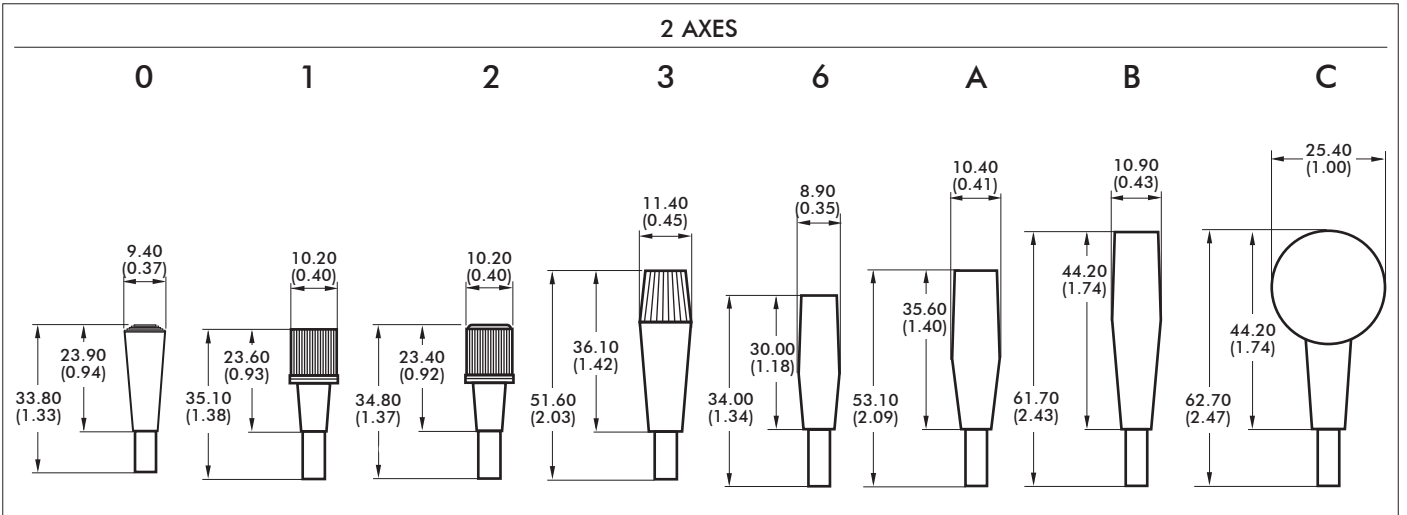
DIMENSIONAL DRAWINGS



NOTES:

1. Mechanical dimensions represent a joystick with the largest potentiometer option.
2. Potentiometer size will vary according to selected option.

HANDLES



NOTES:

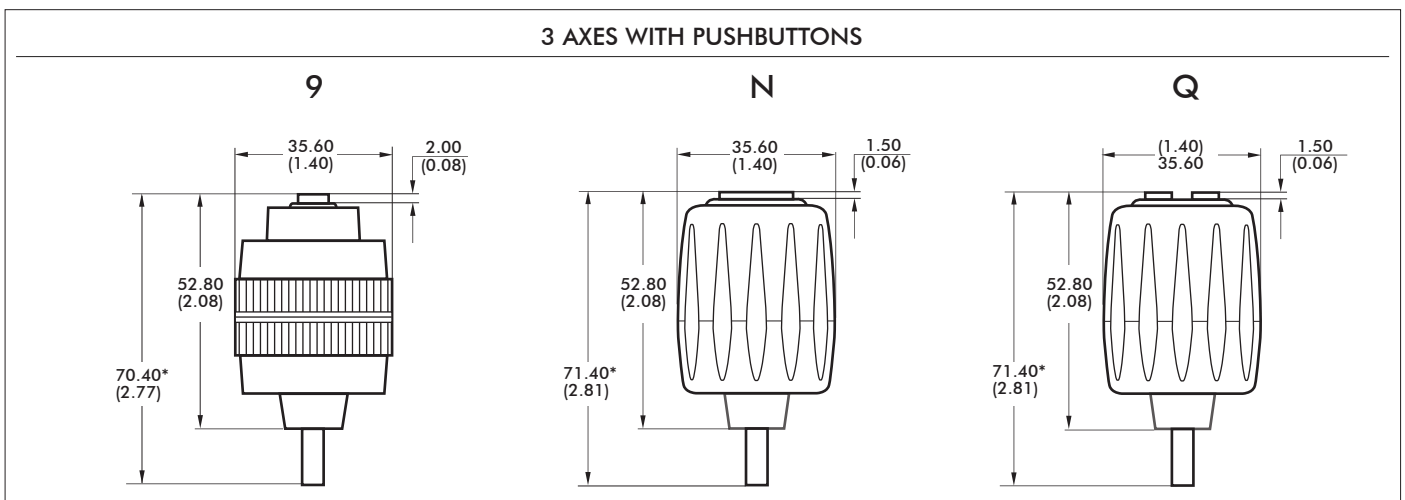
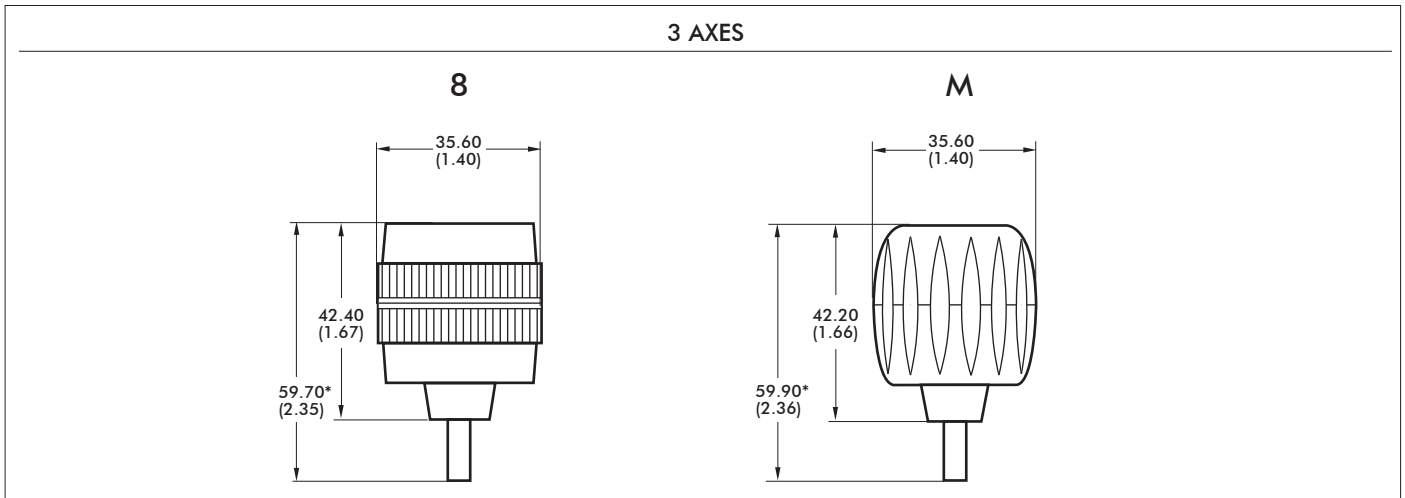
1. Pushbuttons are not sealed. Joysticks are intended for internal applications only.

Note: The company reserves the right to change specifications without notice.

M series

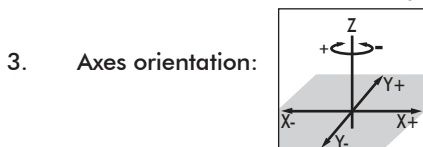
Miniature resistive joysticks

DIMENSIONAL DRAWINGS - continued



NOTES:

1. Dimensions are in mm/(inch)
2. Pushbuttons are not sealed. Joysticks are intended for internal applications only.



4. Wiring information: -Cables are provided for pushbuttons and the Z axis.
-Cables are not supplied for the potentiometers (axes X and Y).

DEFAULT WIRE COLOR CODE*		
COLOR	FUNCTION	AWG
2 OR 3 AXES JOYSTICK WITH 1 PUSHBUTTON - OPTIONS 5,E,G,H,9,N		
ORANGE	Switch 1	28
ORANGE	Switch Common	
3 AXES JOYSTICK WITH 2 PUSHBUTTONS - Option Q**		
ORANGE	Switch 1	28
BROWN	Switch 2	
GREEN	Switch Common	
Z AXIS IN A 3 AXES JOYSTICK - OPTIONS 8,9,M,N,Q		
RED	Supply	28
WHITE	Signal	
BLUE	Return	

NOTES:

- * Wires for the Z axis and for the pushbuttons are 292mm (11.5in) and stripped.
- ** Handle "Q" pushbuttons are shown in the following drawing:

