

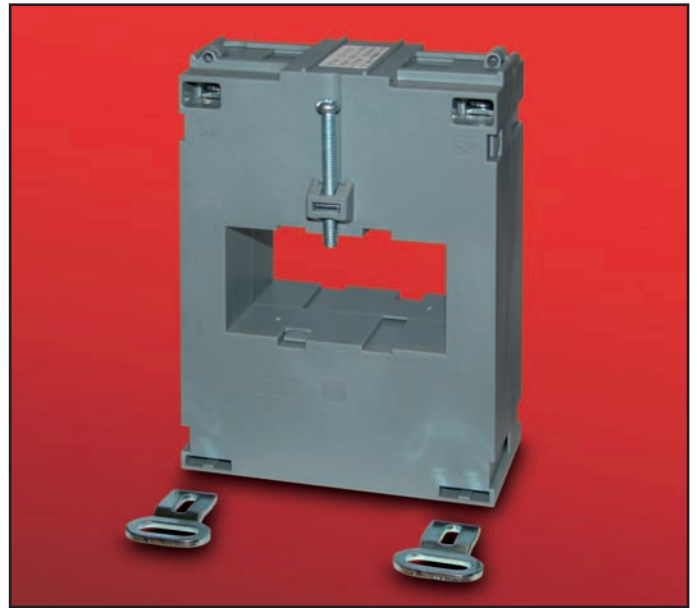
19 SERIES MOULDED CASE CURRENT TRANSFORMERS

DESCRIPTION

A range of compact low cost moulded case current transformers suitable for primary currents from 400A to 2000A with built in sealable terminal covers.

APPLICATION

For transforming various primary currents into 5A or 1A standard secondary using up to 60x30mm busbars or cables up to 45mm diameter.



FEATURES

- Built in sealable terminal covers.
- Mounting feet supplied.
- Narrow width - 90mm.
- Wide range of primary current

TECHNICAL SPECIFICATION

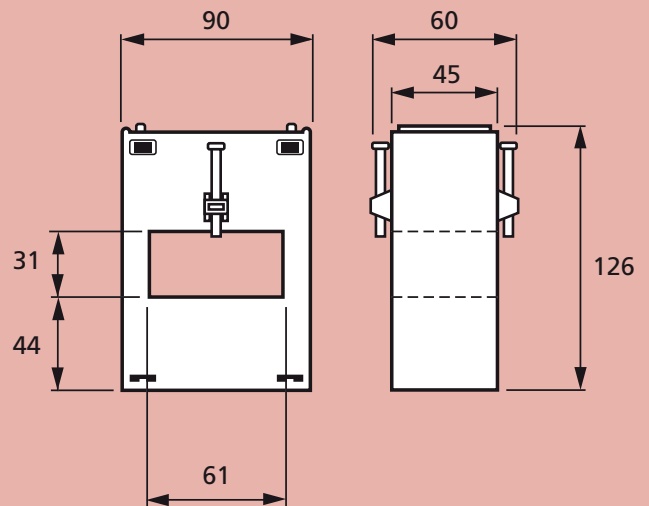
- Conforms to IEC185, BS 7626, BSEN 60044-1 and IEC 60044-1.
- Rated system voltage 0.72/3kV.
- Ambient temperature range -30°C to 85°C.
- Continuous current 1.2 x rated current.

RANGE (Type 196)										5A Secondary			
Primary Current	Class 3				Class 1				Class 0.5				
	2.5	5	10	15	2.5	5	10	15	2.5	5	10	15	
400A	A1	A2	-	-	A5	A6	-	-	A9	-	-	-	
500A	B1	B2	B3	-	B5	B6	-	-	B9	B10	-	-	
600A	C1	C2	C3	C4	C5	C6	C7	C8	C9	C10	C11	-	
800A	D1	D2	D3	D4	D5	D6	D7	D8	D9	D10	D11	D12	
1000A	E1	E2	E3	E4	E5	E6	E7	E8	E9	E10	E11	E12	
1200A	F1	F2	F3	F4	F5	F6	F7	F8	F9	F10	F11	F12	
1500A	G1	G2	G3	G4	G5	G6	G7	G8	G9	G10	G11	G12	
1600A	H1	H2	H3	H4	H5	H6	H7	H8	H9	H10	H11	H12	
2000A	J1	J2	J3	J4	J5	J6	J7	J8	J9	J10	J11	J12	

1A secondary available by request.
Class 0.25 also available by request.

Order Example: A 19 series moulded case current transformer, with 5A secondary and 1000A primary 5VA class 1 is part number 196-5-E6

DIMENSIONS (mm)



Our policy is one of continuous development and therefore specifications may change without notice.

HOWARD BUTLER LTD

CROWN WORKS, LINCOLN ROAD
WALSALL WS1 2EB ENGLAND

Tel: 01922 640003 Fax: 01922 723626

International Tel: +44 1922 640003 E-mail: sales@hobut.co.uk

<http://www.hobut.co.uk>