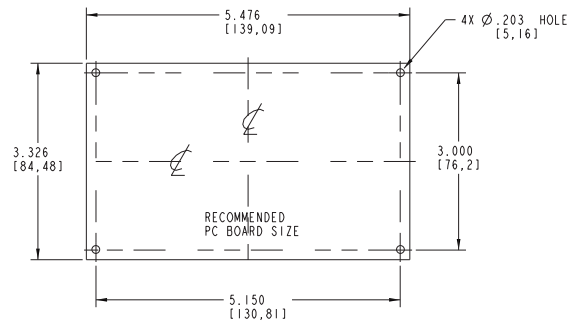
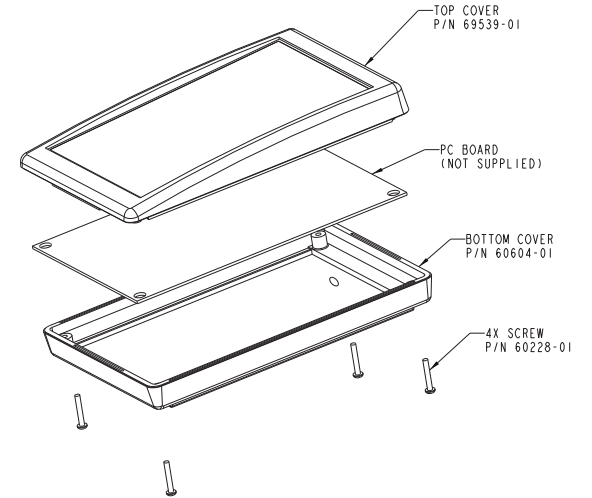


NOTE -DATUM-
FOR CUSTOM OR MACHINING
MODIFICATIONS USE THE
INSERT EDGES OR BOSS
CENTER

- ① EXTERIOR INSERT AREA, FOR
IN MOLD MODIFICATION
- ② INTERIOR INSERT AREA, FOR
IN MOLD MODIFICATION



PACINTEC®
1-610-361-4200

SH

VISIT **PACINTEC®**
ON THE WORLD WIDE WEB
www.pactecenclosures.com

COLOR / MATERIAL CODE		
COLOR	94HB	94VO
BLACK	000	028
P. C. BONE	039	060

DRAWING NUMBER	REV
79767	B