

SPEEDY RJ45 Transparent Flush Strain Relief Boots



Transparent Flush Strain Relief Boots

These compact flush strain relief boots are designed to fit our **SPEEDY** RJ45 Category 5e and Category 6 plugs.

Features

- Premium design, suitable for high density use in most datacom environments
- Extended hood prevents latch snagging other cables
- Perfect solution for rapid termination
- Transparent, high strength, polycarbonate boot with high gloss finish; gives premium appearance to assembled leads
- Suitable for cable diameter size: approx. 5.5mm (PSPDY5) or 6.5mm (PSPDY6)
- Also suitable for use with standard 8p8c connectors for Category 5e or Category 6 (N.B. Retention legs differ between the two versions)

Specifications

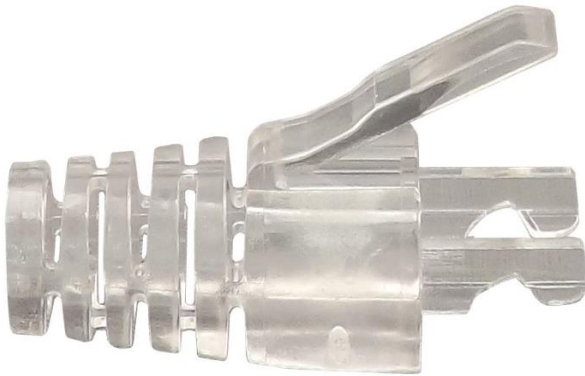
- Material: Polycarbonate UL94-V2
- Colour: transparent

Packaging

Supplied in polybags of 10 then 100 then 500. Also available with reduced packaging as bags of 200

- 10:** PSPDY5#10
PSPDY6#10
- 100:** PSPDY5#100
PSPDY6#100
- 200:** PSPDY5#200 (Supplied loose in bag)
PSPDY6#200 (Supplied loose in bag)
- 500:** PSPDY5#500
PSPDY6#500

PSPDY5

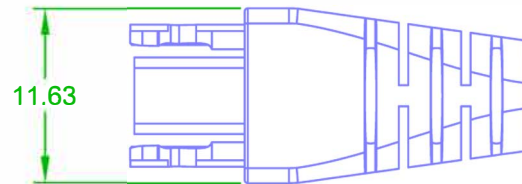
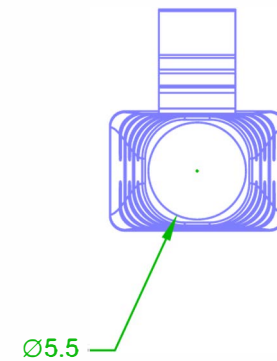
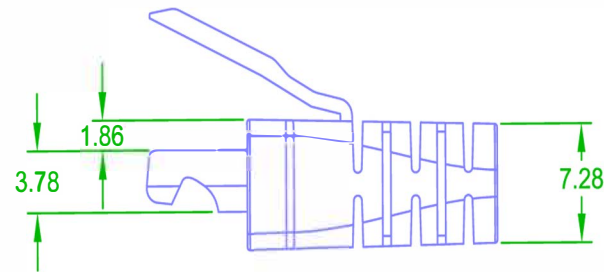
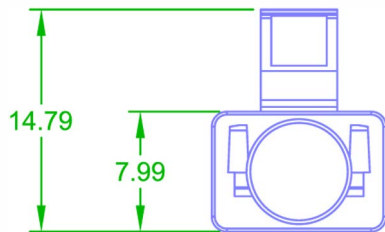
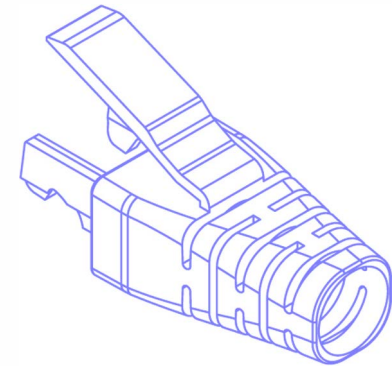
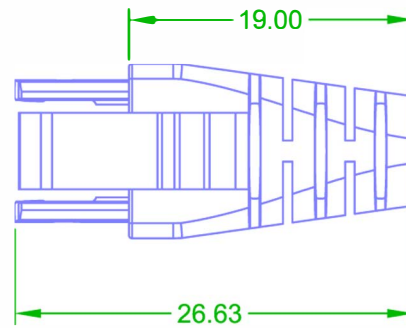


PSPDY6



ROHS Compliant

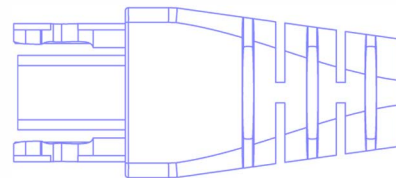
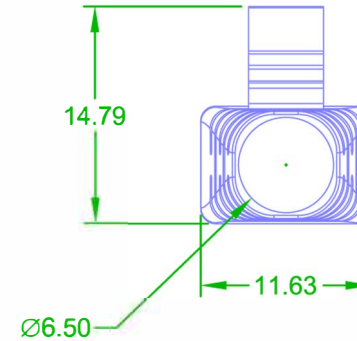
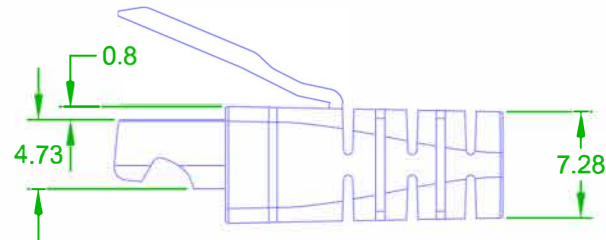
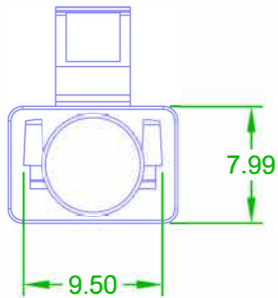
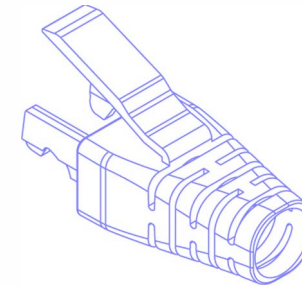
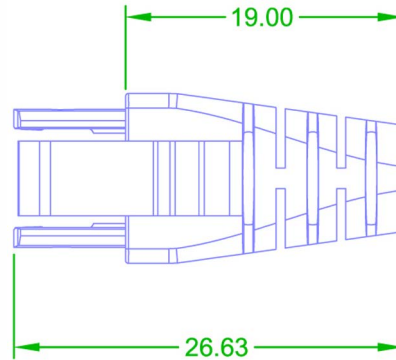
Code: PSDPY5



SPEEDY RJ45

ROHS Compliant

Code: PSPDY6



20/04/2021

NOTE TOL: ± 0.1