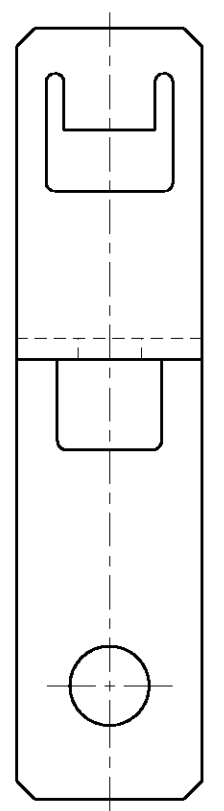


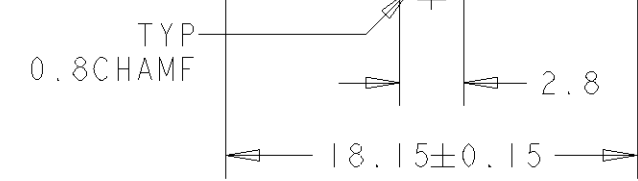
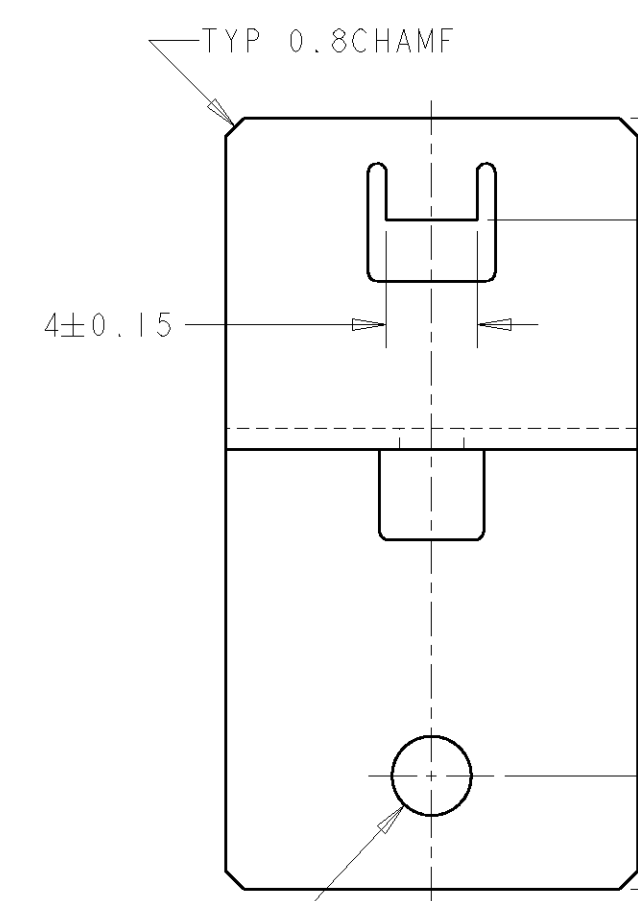
THIS DRAWING IS UNPUBLISHED. RELEASED FOR PUBLICATION 20  
 © COPYRIGHT 20 BY TYCO ELECTRONICS CORPORATION. ALL RIGHTS RESERVED.

P	LTR	DESCRIPTION	ECN	DATE	DWN	APVD
0		RELEASED	FJ00-0726-94	08JUL1994	N.M	S.M
A		REVISED	FJ00-1505-94	27OCT1994	K.I	S.M
AI		PART NO. ADDITION & REDRAWN	ECR-05-018866	05DEC2005	M.M	D.M

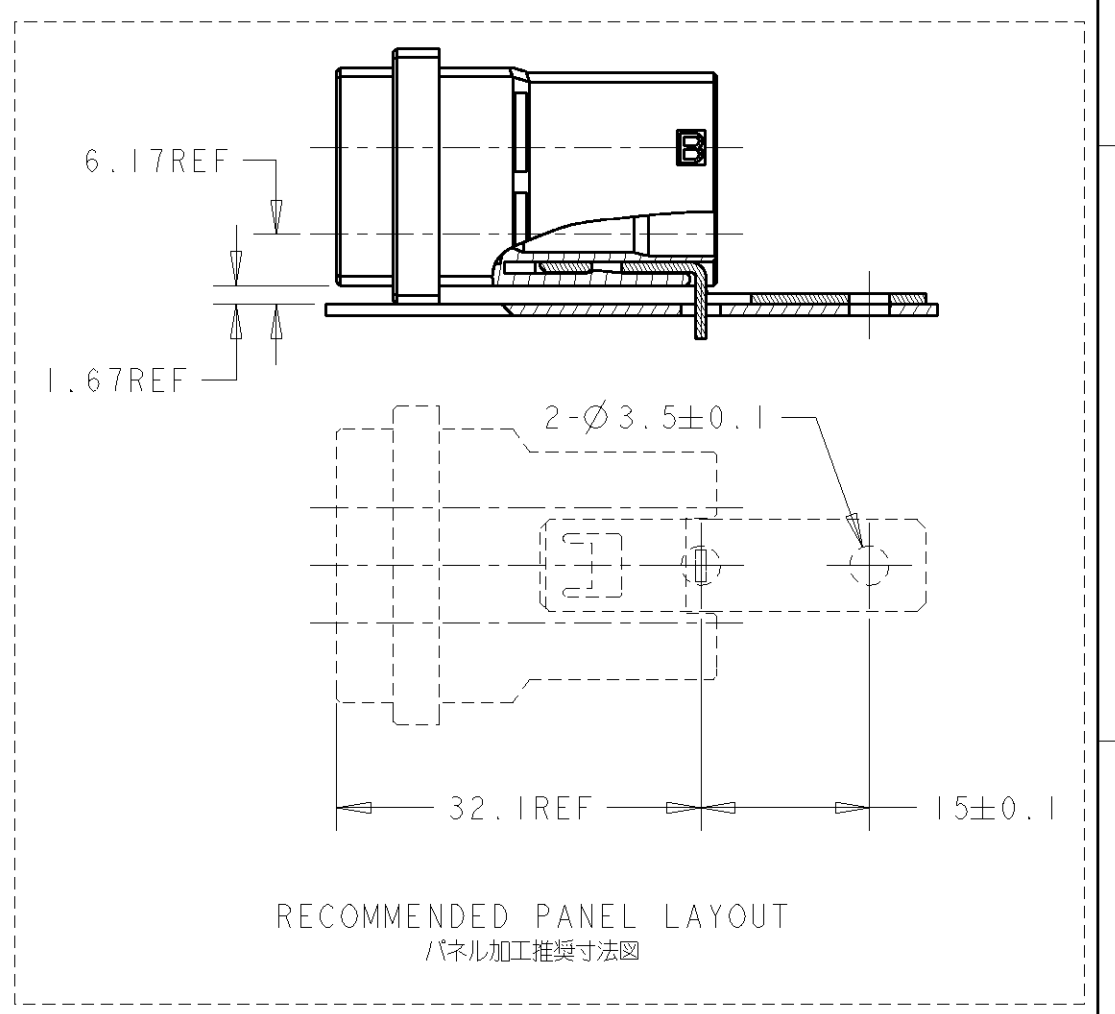
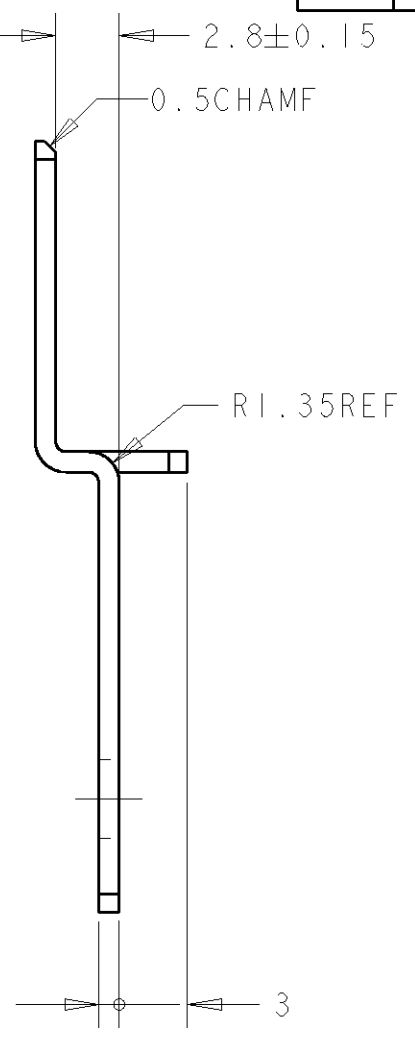


8.15±0.15

900121-2  
 (AI)5900121-2  
 SMALL



900121-4  
 (AI)5900121-4  
 LARGE



△ MATERIAL : CARBON STEEL, THICKNESS=0.9±0.1mm  
 △ FINISH : CHROMATE (Zn PLATE)  
 (AI) △ FINISH : AFTER Cu GROUND PLATING 2.5µmMIN OF ALL ASPECTS, Ni PLATE 2.5µmMIN

△ 材料 : スチール 板厚=0.9±0.1mm  
 △ 仕上 : クロメート(亜鉛めっき)処理  
 (AI) △ 仕上 : 全面銅下地めっき2.5µm以上の上に, Niめっき2.5µm以上を施す

THIS DRAWING IS A CONTROLLED DOCUMENT FOR TYCO ELECTRONICS CORPORATION IT IS SUBJECT TO CHANGE AND THE CONTROLLING ENGINEERING ORGANIZATION SHOULD BE CONTACTED FOR THE LATEST REVISION.		DWN M.MAEBASHI 05DEC2005 CHK T.SAKAMOTO 06JAN2006 APVD D.MITSUGI 10JAN2006		<b>tyco</b> <b>Electronics</b> Tyco Electronics AMP K.K. Kawasaki, Japan	
DIMENSIONS: 単位: 概 mm		TOLERANCES UNLESS OTHERWISE SPECIFIED: 一般公差 ±0.3, ±3° 0-PLC ± 1-PLC ±0.5 2-PLC ±0.13 3-PLC ±0.013 4-PLC ±0.001 ANGLES ±		PRODUCT SPEC 製品規格 108-5349 APPLICATION SPEC 取付適用規格 -	
MATERIAL 材料 -		FINISH 仕上 -		NAME 名称 "L" METAL HOOK FOR DYNAMIC FREE HANGING (D-3)	
WEIGHT -		SIZE A3		CAGE CODE 00779	
CUSTOMER DRAWING		DRAWING NO 900121		RESTRICTED TO -	
SCALE 尺度 3:1		SHEET 1 OF 1		REV AI	