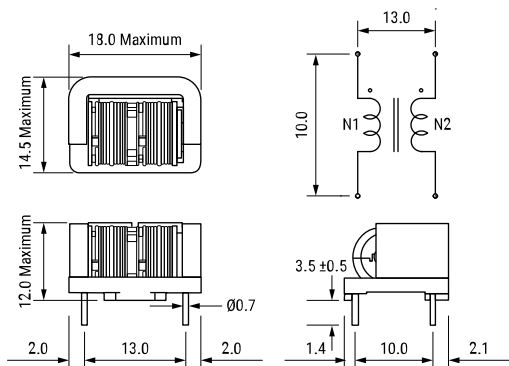


**KEMET Part Number: SSRH7HS-M04467**  
(UALSH7SM044670)

KEMET, SSRH7HS-M, AC Line Filters, Common Mode, 0.0467 H



#### Dimensions

<b>L</b>	18mm MAX
<b>T</b>	14.5mm MAX
<b>H</b>	12mm MAX
<b>LL</b>	3.5mm +/-0.5mm
<b>S</b>	13mm NOM

#### Packaging Specifications

<b>Packaging:</b>	Tray
<b>Packaging Quantity:</b>	600
<b>Weight:</b>	5.1 g

#### General Information

<b>Series:</b>	SSRH7HS-M
<b>Style:</b>	Through-Hole
<b>RoHS:</b>	Yes
<b>Notes:</b>	M04 Lot No.
<b>Miscellaneous:</b>	Temperature Rise Maximum: 50 K

#### Specifications

<b>Voltage AC:</b>	250 VAC
<b>Inductance:</b>	46.7 mH (10 kHz)
<b>Current:</b>	400 mA
<b>Temperature Range:</b>	-25/+120°C
<b>DC Resistance:</b>	1.79 Ohms