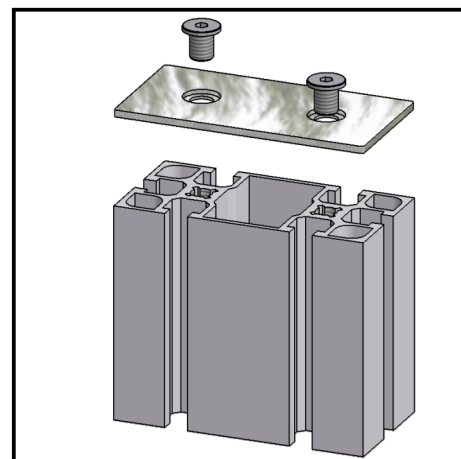
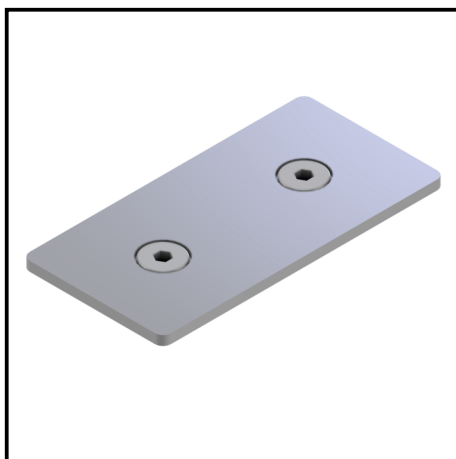
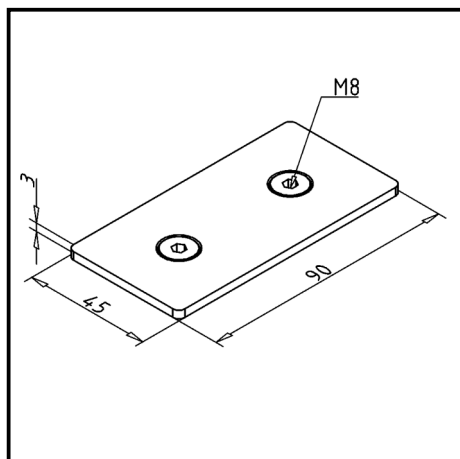


## END CAP 45X90 ALU

Article Nr. 22.1068/2

[See the product on the website](#) →

[Download CAD Files](#) →



### TECHN. DATA / ITEMS SUPPLIED

- Aluminium, anodized E6/EV1
- Supplied with pan head screws M8
- Weight = 0.034 kg/piece

### APPLICATIONS

- Mouth-side covering of profile ends of profile series 45
- Use at higher temperatures, chemically aggressive substances

### ASSEMBLY

- Insert and screw on two thread M8 into the central hole in the end face of the profile