

Preparation of compressed air → Maintenance units and components

Filter pressure regulator, Series NL1-FRE

► G 1/8 - G 1/4 ► filter porosity: 5 µm ► ATEX certified



00108134

ATEX	II 2G2D X
Maintenance Unit	1-in-1, Can be assembled into blocks
Parts	Pressure controller, Filter
Regulator type	Diaphragm-type pressure regulator
Regulator function	with relieving air exhaust
Pressure supply	single
Installation location	vertical
Nominal flow Qn	950 l/min
Ambient temperature min./max.	-10 °C / +60 °C
Medium temperature min./max.	-10 °C / +60 °C
Working pressure min./max.	1.5 bar / 16 bar
Adjustment range min./max.	0.5 bar / 10 bar
Medium	Compressed air
Filter element	exchangeable
Filter reservoir volume	16 cm ³
Condensate drain	See table below
Materials:	
Housing	Die cast zinc
Seal	Acrylonitrile Butadiene Rubber
Filter insert	Polyethylene

Technical Remarks

- The pressure dew point must be at least 15 °C under ambient and medium temperature and may not exceed 3 °C.
- lockable regulator head
- max. particle count as per ISO 8573-4 at the outlet: 5 mg/m³

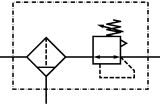
	Port	Condensate drain	Note	Weight	Part No.
				[kg]	
	G 1/8	semi-automatic, open without pressure	1)	0.334	0821300750
	G 1/8	semi-automatic, open without pressure	2)	0.383	0821300751
	G 1/8	fully automatic, open without pressure	1)	0.387	0821300752
	G 1/4	semi-automatic, open without pressure	1)	0.334	0821300756
	G 1/4	semi-automatic, open without pressure	2)	0.383	0821300757
	G 1/4	fully automatic, open without pressure	1)	0.387	0821300758

nominal flow Qn with secondary pressure 6 bar at Δp = 1 bar
 Metal protective guard can be retrofitted for all polycarbonate reservoirs
 1) Reservoir: Polycarbonate
 2) Reservoir: Die cast zinc

Preparation of compressed air → Maintenance units and components

Filter pressure regulator, Series NL1-FRE

► G 1/8 - G 1/4 ► filter porosity: 5 µm ► ATEX certified

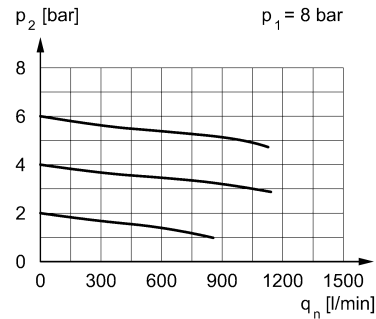
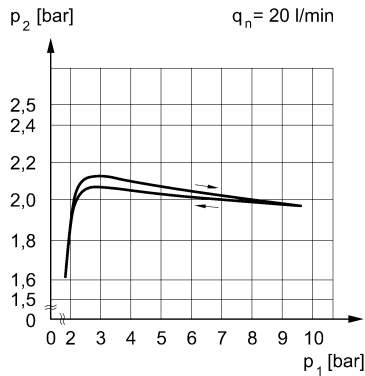
	Port	Condensate drain	Note	Weight	Part No.
				[kg]	
	G 1/8	semi-automatic, open without pressure	1)	0.334	0821300753
	G 1/8	semi-automatic, open without pressure	2)	0.383	0821300754
	G 1/8	fully automatic, open without pressure	1)	0.387	0821300755
	G 1/4	semi-automatic, open without pressure	1)	0.334	0821300759
	G 1/4	semi-automatic, open without pressure	2)	0.383	0821300760
	G 1/4	fully automatic, open without pressure	1)	0.387	0821300761

nominal flow Q_n with secondary pressure 6 bar at $\Delta p = 1$ bar

Metal protective guard can be retrofitted for all polycarbonate reservoirs

1) Reservoir: Polycarbonate

2) Reservoir: Die cast zinc

Pressure characteristics curve, flow characteristics

00112009

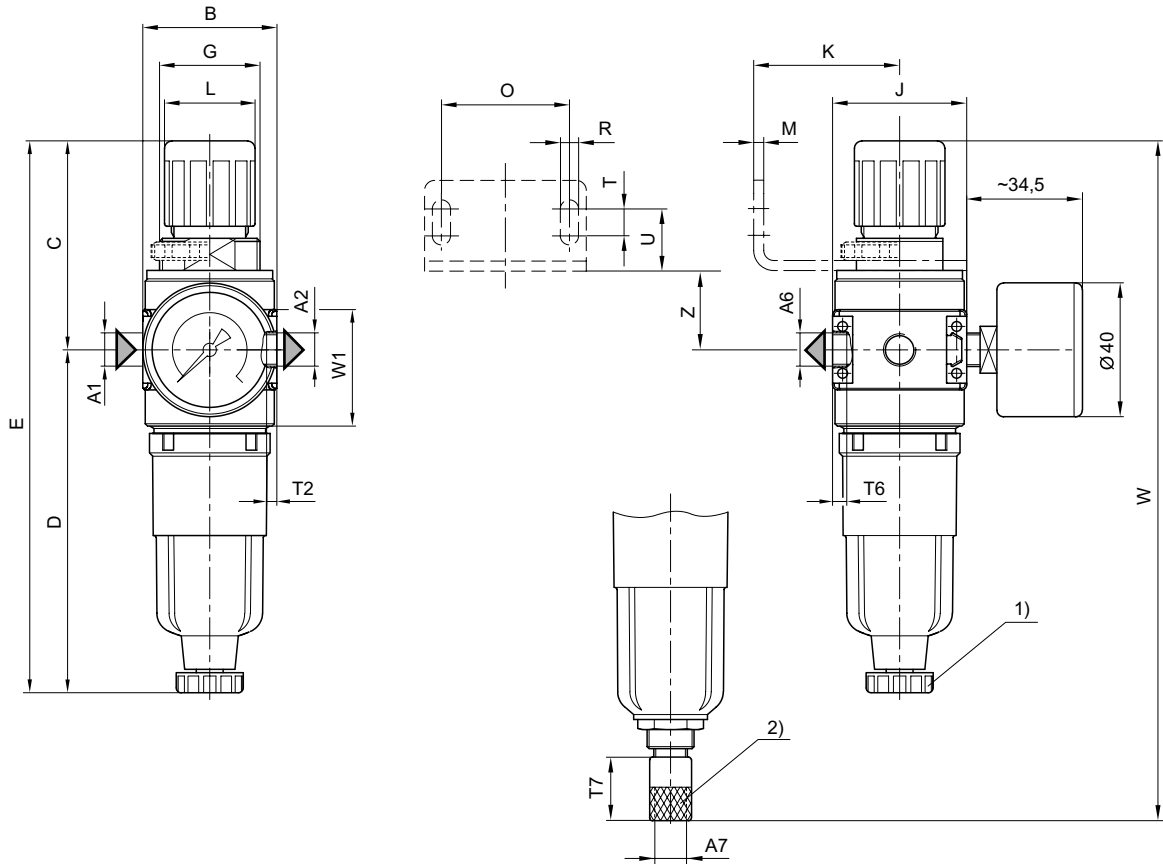
 p_1 = working pressure; p_2 = secondary pressure; q_n = nominal flow

Preparation of compressed air → Maintenance units and components

Filter pressure regulator, Series NL1-FRE

► G 1/8 - G 1/4 ► filter porosity: 5 µm ► ATEX certified

Dimensions



00107268

- 1) semi-automatic condensate drain
- 2) fully automatic condensate drain

A1	A2	A3	A6	A7	B	C	D	E	G	J	K	L	M
G 1/8	G 1/8	G 1/8	G 1/8	G 1/8	40	62.5	102.5	165	M30x1,5	40	43.5	27	3
G 1/4	G 1/4	G 1/8	G 1/8	G 1/8	40	62.5	102.5	165	M30x1,5	40	43.5	27	3

A1	O	R	T	T2	T6	T7	U	W	W1	Z			
G 1/8	38	5.4	8	8	6	8.5	18.5	203	44	24.5			
G 1/4	38	5.4	8	8	6	8.5	18.5	203	44	24.5			