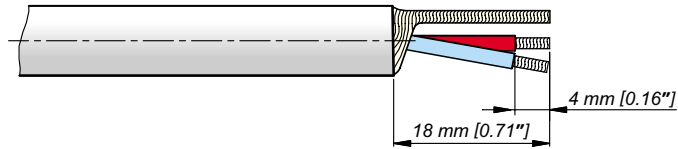


# XLR Cable Connector

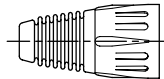
## Assembly Instructions

### CABLE PREPARATION

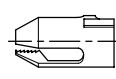


### ORDER OF ASSEMBLY

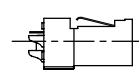
**NC\*FX**



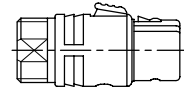
*bushing*



*chuck*

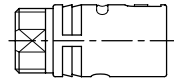
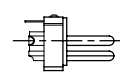
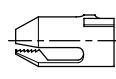
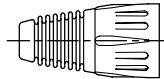


*insert*

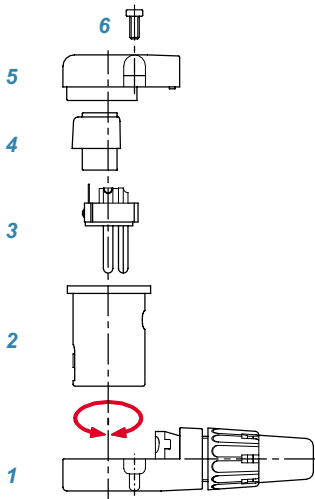


*housing*

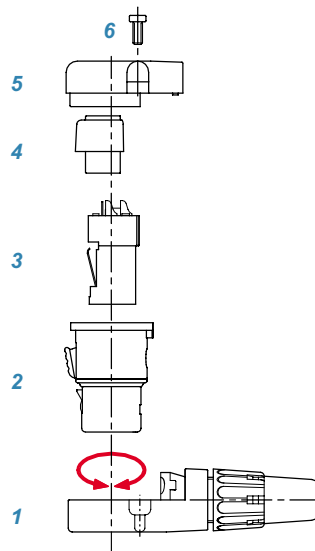
**NC\*MX**



**NC\*MRC**



**NC\*FRC**



- 1 ... housing
- 2 ... housing
- 3 ... insert
- 4 ... distance part
- 5 ... cover
- 6 ... screw M 2.5 x 6