

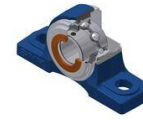


Brand of NTN Group

Technical data

UCP210CC

Bearing units

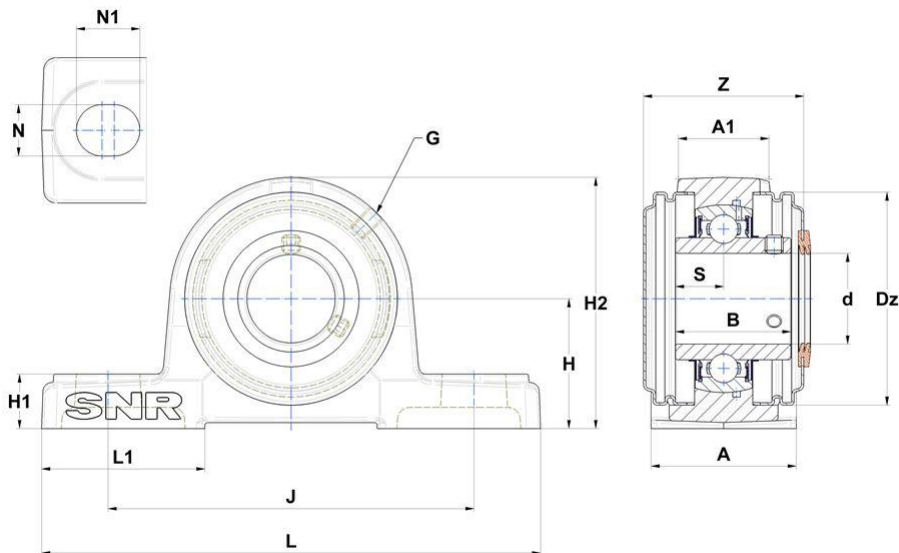


Grey cast housing, radial insert ball bearing with socket set screws, seal with slinger

KIT CONTENT

UC210G2, SCO210-50, SCC210, P210N

VISUAL (S)



PRODUCT DEFINITION

Brand	SNR
A - Housing width	60 mm
A1 - Housing top width	39 mm
B - Width of Inner Ring	51,6 mm
d - Shaft diameter	50 mm
Dz - Outer diameter of cover	100 mm



NTN Europe

1 rue des Usines · BP 2017 · 74010 Annecy Cedex · France · Tel. +33 (0)4 50 65 30 00
 S.A. au capital de 322 639 919 € · RCS ANNECY B 325 821 072 · Id. Fiscale : FR 48 325 821 072
 SIRET 325 821 072 00015 · Code APE 2815 Z · Code NACE 28.15

PRODUCT DEFINITION

G - Grease fitting	M6x1
H - Distance mounting base to centerline spheric. seating diam.	57,2 mm
H1 - Housing foot height	22 mm
H2 - Housing height	114 mm
J - Mounting holes distance	159 mm
L - Housing length	206 mm
L1 - Housing foot length	65 mm
N - Mounting hole dimension	20 mm
N1 - Mounting hole length	25 mm
S - Distance front side/bearing centre	19 mm
Z - Width over covers	76 mm

PRODUCT PERFORMANCE

C - Dynamic load rating	35100000 mN
C0 - Static load rating	23200000 mN
Operating temperature min.	253,15 °K
Operating temperature max.	373,15 °K

OTHER FEATURES

Mass	3,03 kg
Recommended tightening torque for set screw	22 N-m

