



# SERIES 1858 - MINIATURE DOUBLE-POLE ROCKER SWITCHES

TO 10 (4) A 250 V AC 1E4



## PRODUCT FEATURES

- Non-illuminated rocker switch
- Powerful with inrush currents (capacitive) up to 100 A
- Immediately self-extinguishing due to UL 94 V-0 material
- Conformant acc. to EN 60065 par. 14.6

## ON REQUEST


- Other colors
- Other printing variants
- Single-pole assembled
- Cable assembly

Mechanical life endurance	10E4
Operating force	≤ 5 N
Inrush current (capacitive)	100 A
Contact resistance (new condition)	< 100 mOhm (1 A 12 V DC)
Insulation resistance (new condition)	> 100 MOhm (500 V DC)
Proof tracking	250 PTI
Protection type	IP 40
Ambient temperature	terminal side -20 °C ... +100 °C actuating side -20 °C ... +55 °C
Flammability	UL 94 V-0 UL 94 V-2 (in the versions in white)
Glow wire test temperature	850 °C
Material actuator housing terminals	PA PA silver plated
Plug force of the terminals	≤ 80 N
Approval marks	
Suitable for appliances of protection class II	



# SERIES 1858 - MINIATURE DOUBLE-POLE ROCKER SWITCHES

TO 10 (4) A 250 V AC 1E4

 double-pole	Actuator color / printing	Housing color	10 (4) A 250 V AC 1E4	6 (4) A 250 V AC 5E4	12 A 250 V AC 1/2 HP	12 A 125 V AC 1/3 HP	Terminal type	Terminal description	Contact distance (mm)	Contact material	EN 60335 cap. 30 conform "G"	Miscellaneous	Stock version
	ON / OFF switch (DPST)												
1858.0103			<input type="radio"/>	<input type="radio"/>	<input type="radio"/>	<input type="radio"/>			≈ 3	Ag	<input type="radio"/>		
1858.0104			<input type="radio"/>	<input type="radio"/>	<input type="radio"/>	<input type="radio"/>			≈ 3	Ag	<input type="radio"/>		
1858.1102			<input type="radio"/>	<input type="radio"/>	<input type="radio"/>	<input type="radio"/>		4.8	≈ 3	Ag	<input type="radio"/>		<input type="radio"/>
1858.1103			<input type="radio"/>	<input type="radio"/>	<input type="radio"/>	<input type="radio"/>		4.8	≈ 3	Ag	<input type="radio"/>		<input type="radio"/>
1858.1104			<input type="radio"/>	<input type="radio"/>	<input type="radio"/>	<input type="radio"/>		4.8	≈ 3	Ag	<input type="radio"/>		
1858.1105			<input type="radio"/>	<input type="radio"/>	<input type="radio"/>	<input type="radio"/>		4.8	≈ 3	Ag		terminal spacing 10	
1858.2202			<input type="radio"/>	<input type="radio"/>	<input type="radio"/>	<input type="radio"/>			≈ 3	Ag	<input type="radio"/>		<input type="radio"/>
1858.2204			<input type="radio"/>	<input type="radio"/>	<input type="radio"/>	<input type="radio"/>			≈ 3	Ag	<input type="radio"/>		
1858.4202			<input type="radio"/>	<input type="radio"/>	<input type="radio"/>	<input type="radio"/>			≈ 3	Ag	<input type="radio"/>		<input type="radio"/>
1858.4205			<input type="radio"/>	<input type="radio"/>	<input type="radio"/>	<input type="radio"/>			≈ 3	Ag	<input type="radio"/>		<input type="radio"/>
1858.9202			<input type="radio"/>	<input type="radio"/>	<input type="radio"/>	<input type="radio"/>			≈ 3	Ag	<input type="radio"/>	single-pole occupied	

ROCKERSWITCHES

PUSHBUTTON SWITCHES

TOGGLE SWITCHES

SLIDE SWITCHES

ROTARY SWITCHES

FOOT SWITCHES

TACT AND KEY SWITCHES

SNAP-ACTION SWITCHES

MICRO-SIGNAL SWITCHES

SENSORS

ECO

PUSH'N'DRIVE

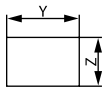


# SERIES 1858 - MINIATURE DOUBLE-POLE ROCKER SWITCHES

TO 10 (4) A 250 V AC 1E4

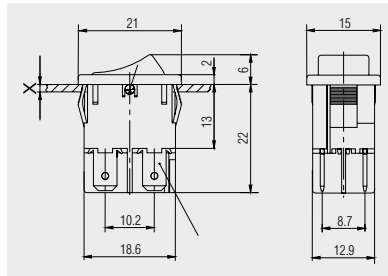


Basic type 1858  
double-pole

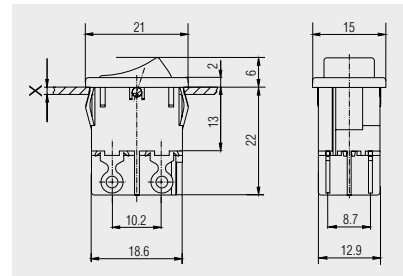


X = Wall thickness

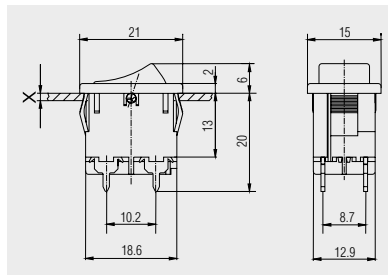
x	y	z
0.75 ... 1.25	19.2 <sup>-0.1</sup>	12.9 <sup>+0.1</sup>
1.25 ... 2	19.4 <sup>-0.1</sup>	12.9 <sup>+0.1</sup>
2 ... 3	19.8 <sup>-0.1</sup>	12.9 <sup>+0.1</sup>



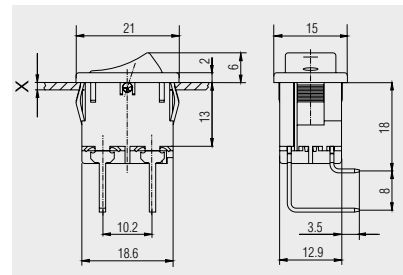
Quick-connect terminal 4.8 x 0.8



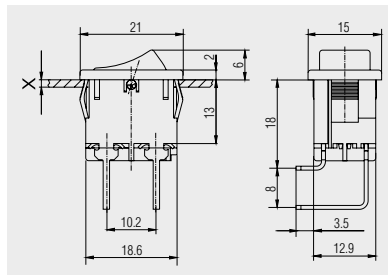
Solder terminal



PCB terminal



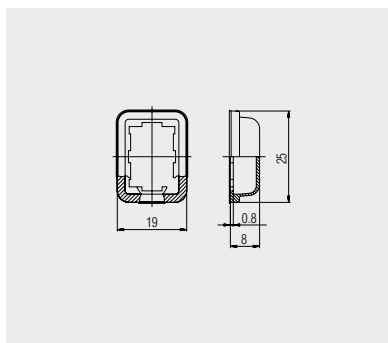
PCB terminal angled to  
terminal side 1



PCB terminal angled to  
terminal side 2



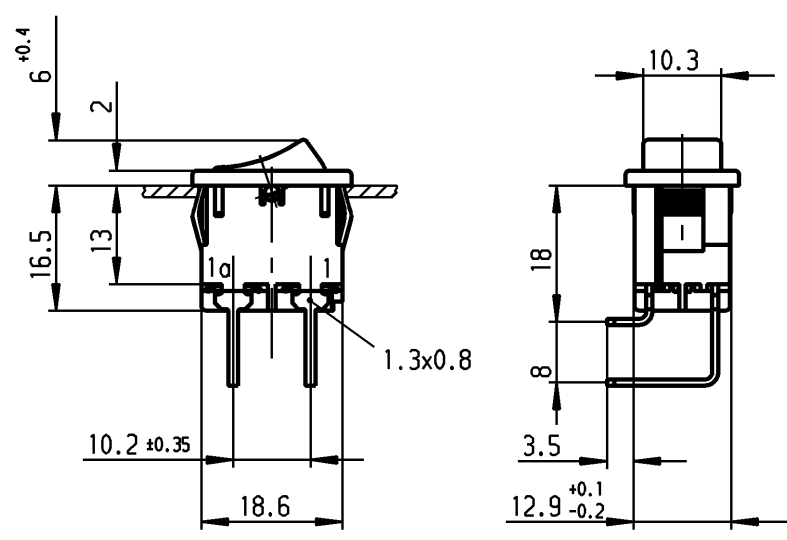
Protection cap  
203.089.011



Transparent PVC-protection cap.  
Serves as dust and water protection  
of the actuation side.

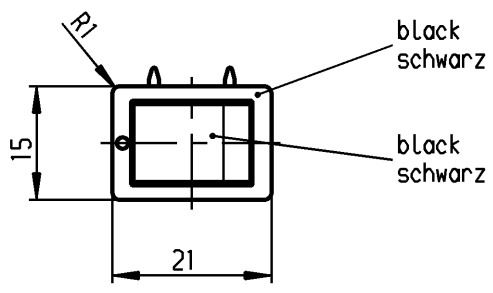
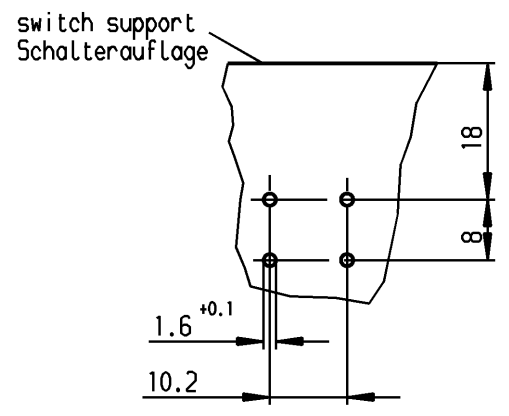
ROCKER SWITCHES  
PUSHBUTTON SWITCHES  
TOGGLE SWITCHES  
SLIDE SWITCHES  
ROTARY SWITCHES  
FOOT SWITCHES  
TACT AND KEY SWITCHES  
SNAP-ACTION SWITCHES  
MICRO-SIGNAL SWITCHES  
SENSORS  
ECO  
PUSH N' DRIVE

1	2	3	4
recommended cut-out for snap-in fixing ( edge opposite to snap-in direction ) Empfohlener Ausschnitt für Rastbefestigung ( Grat gegenüber Bestückungsseite )	wall thickness Wanddicke	Length of cut-out Ausschnittlänge	width of cut-out Ausschnittbreite
	0.75 to / bis 1.25	19.2 -0.1	12.9 +0.1
	1.25 to / bis 2	19.4 -0.1	12.9 +0.1
	2 to / bis 3	19.8 -0.1	12.9 +0.1



recommended terminal layout;  
side of component  
tolerances as per DIN IEC 326 item 3 very fine

Empfohlenes Lochbild;  
Bauteileseite  
Toleranzen nach DIN IEC 326 sehr fein



**VERTRAULICH-CONFIDENTIAL**  
 © Alle Rechte bei Marquardt GmbH, auch fuer den Fall von Schutzrechtsanmeldungen. Jede Veruegungsbefugnis, wie Kopier- und Weitergaberecht, bei uns.  
 © This document is the exclusive property of Marquardt GmbH. Without our consent, it may not be reproduced or given to third parties.

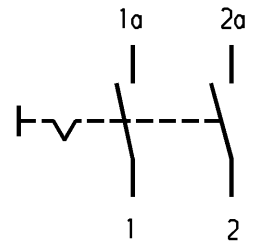
Marking  
Aufschrift

Ⓜ  
1858.  
6(4)/250 ~5E4 T100/55  
10(4)/250 ~  
5/100A 250V ~

12A 125-250V AC  
1/3 HP 125V AC  
1/2 HP 250V AC  
R138 Ⓢ Ⓡ

date code of manufacture: year/week acc.to DIN EN 60062  
Herstelljahr/-woche nach DIN EN 60062

on box:  
Auf Verpackung: G



DPST

suitable for appliances of class II  
protected according to DIN 40 050, IP40

Ausschalter 2polig

Für Geräte der Klasse II geeignet  
Geschützt entsprechend DIN 40 050, IP40

G= matching IEC 60335-1:2001 clause 30  
G= Konform nach IEC 60335-1:2001 Kap.30

Schutzvermerk nach DIN 34 beachten COPYRIGHT RESERVED

Allgemeintoleranzen/UNTOLERANCED DIMENSIONS						PROJECTION 	Pause COPY	Blatt SHEET Original DIN A4 Maßstab SCALE 1:1	Zeichn./DRAWING NO. K 1858.4202
Für Längen und Radien FOR LENGTHS AND RADII. ±		Abmaße in mm für Nennmaßbereich in mm ALL DIMENSIONS ARE IN MILLIMETRES			0 10 20 30 mm				
		bis/UP TO 6	über/OVER 6 bis/UP TO 30	über/OVER 30					
		0.2	0.4	.					
n			i	41634	30.11.04	hhe	Appliance Switch Geräteschalter		
m	47886	29.06.06	Mut	h	36320	02.06.03			vor
l	42861	24.03.05	hhe	g	26981	02.02.99			Mut
k	42200	31.01.05	hhe	f	25590	08.12.97			Mut
j	42055	14.01.05	hhe	e	25455	04.11.97			Mut
Ausg. ISSUE	Anderung REVISION	gez. DRAWN BY	Ausg. ISSUE	Anderung REVISION	gez. DRAWN BY	Ersatz für/REPLACEMENT OF		MARQUARDT Marquardt GmbH, D-78604 Rietheim-Weilheim	