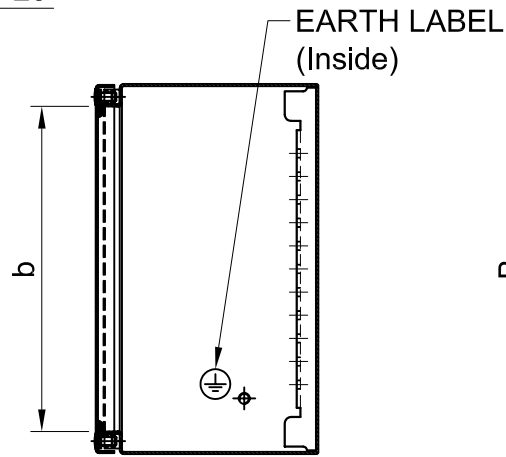
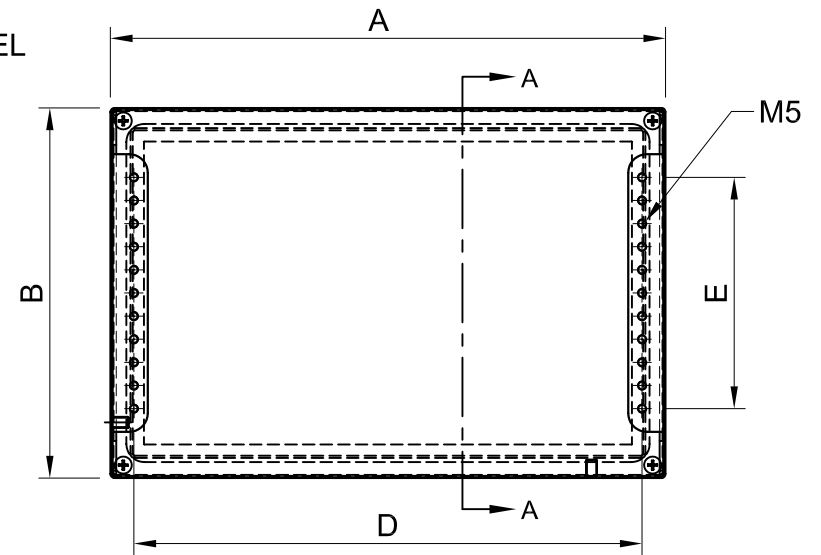


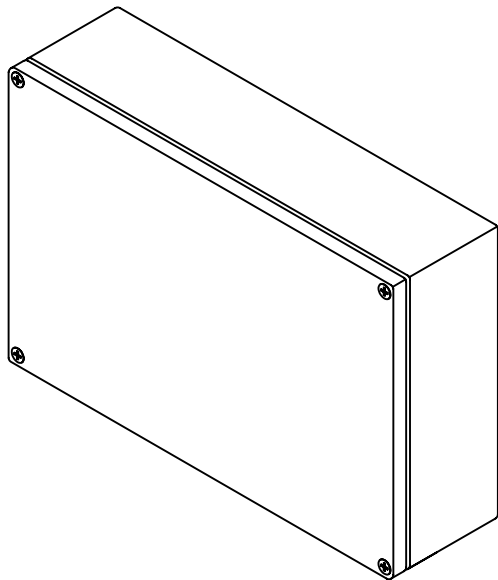
BACK VIEW



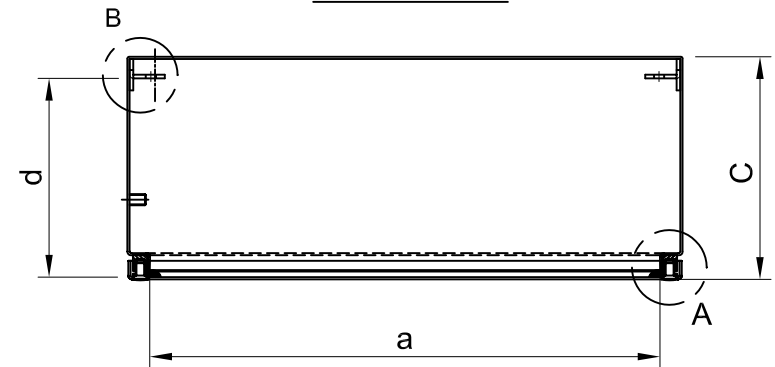
SECTION A-A



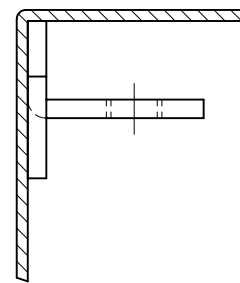
FRONT VIEW



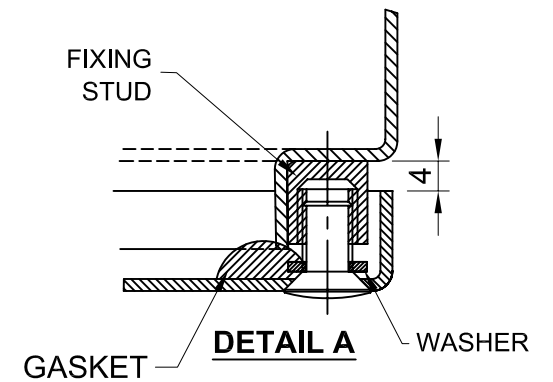
ISO METRIC VIEW



SECTIONAL PLAN



DETAIL B



DETAIL A

All dimensions are in millimeters.

ELSTEEL

MS & SS TERMINAL BOX

Drawn by	Sumudu	Date - 25.03.2008	
Approved by		Date -	Rev. 01

ORDER NO	TYPE	OVERALL SIZE					OPENING SIZE		
		A	B	C	D	E	a	b	d
194253	TNB 1,9.1,5-90 (MS)	190	150	90	165	75	165	125	76.8
194269	TNB 1,2.1,2-80 (MS)	120	120	80	95	50	95	95	66.8
194455	TNB 1,5.1,2-80 (MS)	150	120	80	125	50	125	95	66.8
194281	TNB 1,5.1,5-90 (MS)	150	150	90	125	75	125	125	76.8
194354	TNB 2,5.2,5-120 (MS)	250	250	120	225	175	225	225	106.8
194348	TNB 1,75.1,75-120 (MS)	380	160	120	355	75	355	135	106.8
194332	TNB 4.2,5-130 (MS)	400	250	130	375	175	375	225	116.8
194247	TNB 1,9.1,9-100 (MS)	190	190	100	165	112.5	165	165	86.8
194483	TNB 1,9.1,9-100 (SS-304)	190	190	100	165	112.5	165	165	86.8
194360	TNB 1,9.1,5-90 (SS-304)	190	150	90	165	75	165	125	76.8
194461	TNB 3,8.1,6-120 (SS-304)	380	160	120	355	75	355	135	106.8
194297	TNB 1,5.1,5-90 (SS-304)	150	150	90	125	75	125	125	76.8
194433	TNB 1,2.1,2-80 (SS-304)	120	120	80	95	50	95	95	66.8
194477	TNB 2,5.2,5-120 (SS-304)	250	250	120	225	175	225	225	106.8
194275	TNB 4.2,5-130 (SS-304)	400	250	130	375	175	375	225	116.8
194449	TNB 1,5.1,2-80 (SS-304)	150	120	80	125	50	125	95	66.8