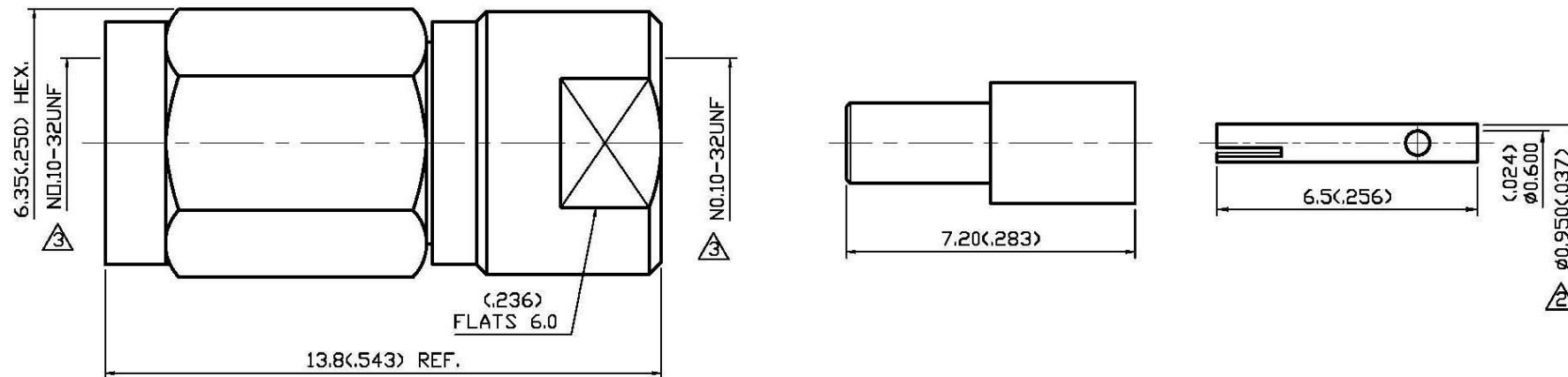


NO	DESCRIPTION	DATE
1	BACKGROUND FORMAT UPDATED	07.23.02'
2	Ø0.9 → Ø0.950 , Ø2.90 → Ø3.00 ADD STRIPPING DIMENSION BACKGROUND FORMAT UPDATED	12.16.09'
3	NO.10-32UNEF → NO.10-32UNF ADD VSWR DEL CRIMP SIZE REQUIRED	10.06.11'
4	WORKING VOLTAGE → VOLTAGE RATING DEL PROOF VOLTAGE	07.19.13'



1.0 ELECTRICAL

- 1.1 FREQUENCY RANGE: DC-10 GHz
- 1.2 NOMINAL IMPEDANCE: 50 OHMS
- 1.3 VOLTAGE RATING: 385 VOLTS MAX. 4
- 1.4 VSWR: 1.32 MAX. @3 GHz 3

2.0 MATERIALS

- 2.1 BODIES: BRASS PER JIS-C3604
- 2.2 CENTER CONTACT: BERYLLIUM COPPER PER ASTM B196 UNS C17300
- 2.3 INSULATION: TEFLON PER ASTM D1457 AND ASTM D1710

3.0 FINISHES AND OTHERS

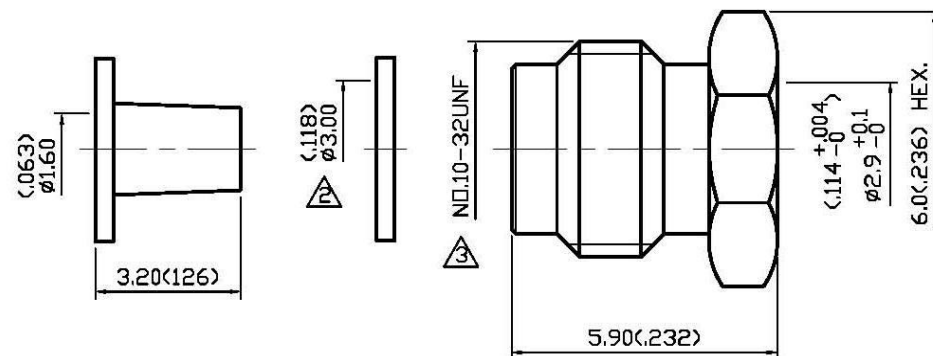
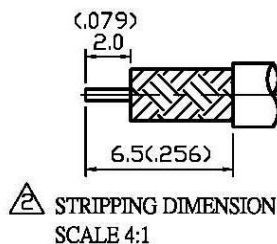
- 3.1 SEE BELOW TABLE FOR DETAILS.

4.0 MECHANICAL

- 4.1 INTERFACE IN ACCORDANCE WITH: MIL-STD-348A
- 4.2 FOR USE WITH RG174U OR SIMILAR STYLE CABLE
- 4.3 CABLE ATTACHMENT: OUTER: CLAMP, INNER: SOLDER

5.0 ENVIRONMENTAL

- 5.1 OPERATING TEMPERATURE RANGE: -65° C TO +165° C



APPROVED by _____ DATE: _____

NO	DESCRIPTION	MATERIAL	Q'TY	FINISH
8	NUT	BRASS	1	GOLD 3 μ" MIN.
7	SLEEVE	BRASS	1	GOLD 3 μ" MIN.
6	WASHER	BRASS	1	GOLD 3 μ" MIN.
5	BODY	BRASS	1	GOLD 3 μ" MIN.
4	WASHER	STAINLESS STEEL	1	NONE
3	INSULATION	TEFLON	1	NONE
2	CENTER CONTACT	BERYLLIUM COPPER	1	GOLD 30 μ" MIN.
1	SHELL	BRASS	1	GOLD 3 μ" MIN.
NO	DESCRIPTION	MATERIAL	Q'TY	FINISH



DESCRIPTION		SMC STRAIGHT PLUG CLAMP	
製圖	DRAWN	TOLERANCE	品名
	Yoko	.X ±0.2	26-04 T.G.G 174U
檢圖	CHECK	.XX ±0.1	單位
	Arc	.XXX ±0.05	mm(in)
認定	APPROVAL	ANGLE ±5°	比例
	Angela		8:1
DATE	11.01.00'	版次	A-4
REV.		DWG.NO.	26-0023