

EH 67,5 F-C CS/ABS-PC GY7035 - Upper housing part



1074947

<https://www.phoenixcontact.com/gb/products/1074947>

Please be informed that the data shown in this PDF document is generated from our online catalog. Please find the complete data in the user documentation. Our general terms of use for downloads are valid.

DIN rail housing, Upper housing part, flat design, no connection opening, width: 67.6 mm, height: 74.65 mm, depth: 36.95 mm, color: light gray (similar RAL 7035)



Your advantages

- DIN rail or panel mounting for application-specific device attachment
- Easy design-in, thanks to variable housing form factor
- Complete flexibility, thanks to PCBs with horizontal, frontal, and orthogonal orientation to the front of the device
- Three cover versions for individual PCB connections
- Integration of a wide variety of PCB connection technologies for a functional device design

Commercial data

Item number	1074947
Packing unit	10 pc
Minimum order quantity	1 pc
Sales key	ACHCHC
Product key	ACHCHC
GTIN	4055626777412
Weight per piece (including packing)	42.8 g
Weight per piece (excluding packing)	40.38 g
Customs tariff number	84879090
Country of origin	IN

EH 67,5 F-C CS/ABS-PC GY7035 - Upper housing part



1074947

<https://www.phoenixcontact.com/gb/products/1074947>

Technical data

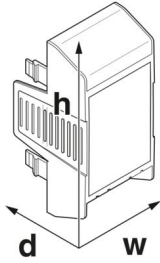
Notes

Assembly note	Please observe the application note in the download area.
---------------	---

Product properties

Product type	Upper housing part
Housing type	DIN rail housing
Housing series	EH
Product family	EH..F..ABS-PC..
Type	Upper housing part, flat design, no connection opening
Ventilation openings present	yes

Dimensions

Dimensional drawing	
Width	67.6 mm
Height	74.65 mm
Depth	36.95 mm

Material specifications

Color (Housing)	light gray (RAL 7035)
Flammability rating according to UL 94	V0
Housing material	ABS-PC
Surface characteristics	untreated

Environmental and real-life conditions

Ambient conditions

Max. IP code to attain	IP20
Ambient temperature (operation)	-40 °C ... 80 °C (depending on power dissipation)
Ambient temperature (storage/transport)	-40 °C ... 55 °C
Ambient temperature (assembly)	-5 °C ... 80 °C
Relative humidity (storage/transport)	95 %

PCB data

Type of PCB mount	Latching
-------------------	----------

EH 67,5 F-C CS/ABS-PC GY7035 - Upper housing part



1074947

<https://www.phoenixcontact.com/gb/products/1074947>

Mounting

Mounting type	Snap in
---------------	---------

EH 67,5 F-C CS/ABS-PC GY7035 - Upper housing part

1074947

<https://www.phoenixcontact.com/gb/products/1074947>

Drawings

Dimensional drawing



Schematic figure for illustrating the item dimensions. The figure is not of the desired product. For further details, refer to the product drawings in the "Downloads" tab.

EH 67,5 F-C CS/ABS-PC GY7035 - Upper housing part



1074947

<https://www.phoenixcontact.com/gb/products/1074947>

Approvals

To download certificates, visit the product detail page: <https://www.phoenixcontact.com/gb/products/1074947>



UL Recognized

Approval ID: E240868

EH 67,5 F-C CS/ABS-PC GY7035 - Upper housing part



1074947

<https://www.phoenixcontact.com/gb/products/1074947>

Classifications

ECLASS

ECLASS-13.0

27190603

ETIM

ETIM 9.0

EC002779

UNSPSC

UNSPSC 21.0

31261500

EH 67,5 F-C CS/ABS-PC GY7035 - Upper housing part



1074947

<https://www.phoenixcontact.com/gb/products/1074947>

Environmental product compliance

EU RoHS

Fulfills EU RoHS substance requirements	Yes, No exemptions
---	--------------------

China RoHS

Environment friendly use period (EFUP)	EFUP-E
	No hazardous substances above the limits

EU REACH SVHC

REACH candidate substance (CAS No.)	No substance above 0.1 wt%
-------------------------------------	----------------------------

Phoenix Contact 2025 © - all rights reserved
<https://www.phoenixcontact.com>

PHOENIX CONTACT Ltd
Halesfield 13, Telford
Shropshire, TF7 4PG
01952 681700
info@phoenixcontact.co.uk