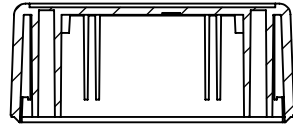


OVERALL ASSEMBLY DIMENSIONS:

EXTERNAL - 127 x 75 x 45

INTERNAL - 122 x 70 x 38.5



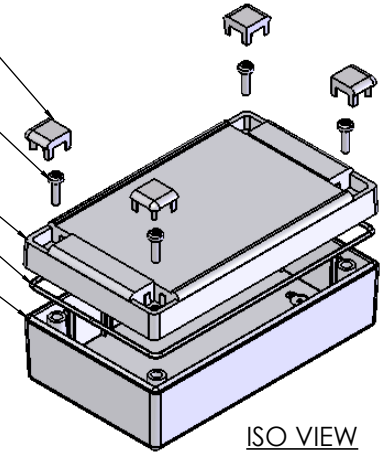
SECTION C-C

CORNER/SCREW CAP

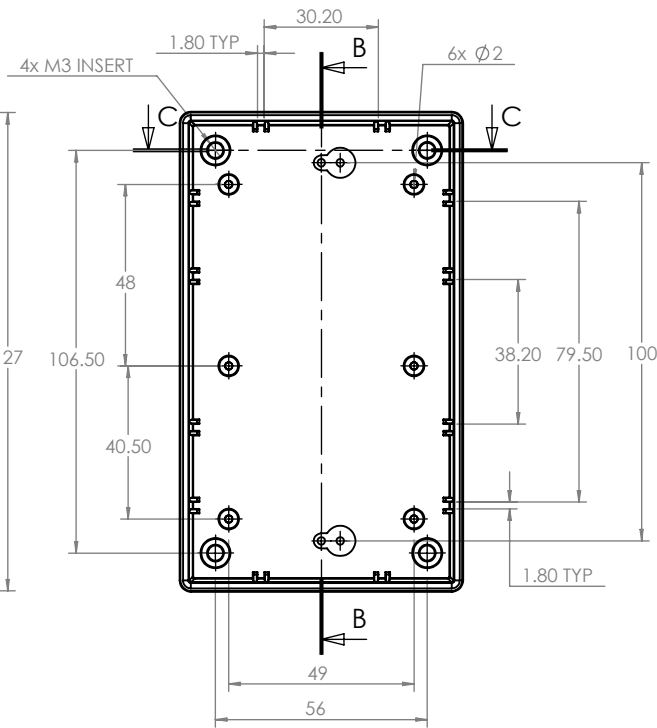
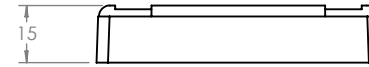
M3 SCREW

LID

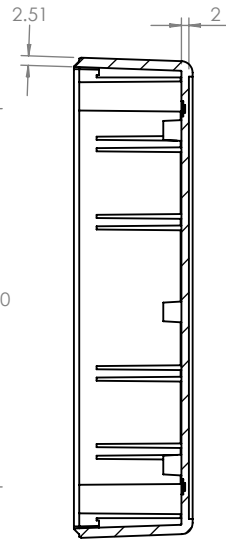
GASKET
BASE



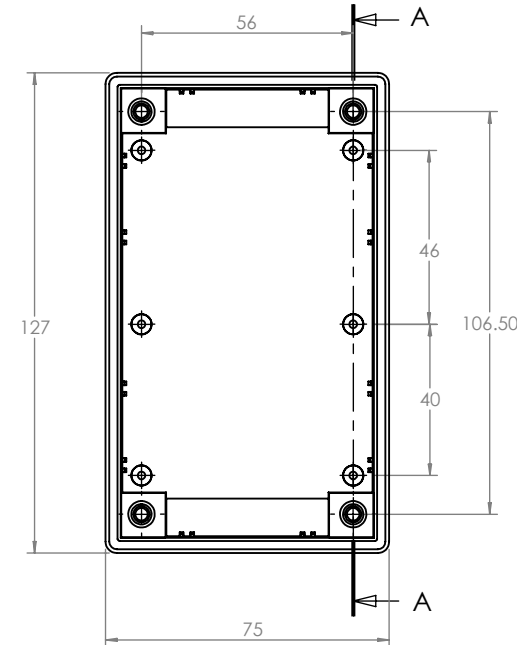
ISO VIEW
1:3



BASE

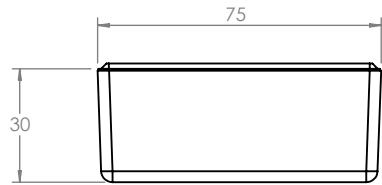


SECTION B-B



SECTION A-A

LID



CAMDENBOSS
ELECTRONICS & ENCLOSURES

JAMES CARTER RD, MILDENHALL, SUFFOLK. IP28 7DE
TEL: 01638 716101 FAX: 01638 716554
EMAIL: Sales@CamdenBoss.com
WEB: www.CamdenBoss.com

UNLESS OTHERWISE SPECIFIED:
DIMENSIONS ARE IN MILLIMETERS

GENERAL TOLERANCES +/- 0.2

FINISH:
LIGHT SPARK

MATERIAL:
UL - 94 HB ABS

PROJECTION:

DO NOT SCALE DRAWING

REVISION: A

TITLE: ASSEMBLY DRG FOR RECESS
DESIGNER CASE SIZE 5

DWG NO. CRDCERG05

A4

SCALE: 1:2

SHEET 1 OF 1

	NAME	SIGNED	DATE
DRAWN	IAN PAGANO	I.P.	24/09/13
CHKD	-	-	-