



NEOZED-FLUSH MOUNTING FUSE BASE MOLDED PLASTIC,
 D02 1-POLE TOUCH PROTECTION (BGV A2) ACCESS:
 ELEVATOR TERMINAL OUTGOING: ELEVATOR
 TERMINAL 63A,
 AC 400V/DC 250V

Similar to image

Technical data:

| | | |
|--------------------------------------------------------------------------------|---|-----------------------------------------------------|
| Design type | | NEOZED fuse system |
| Type, explanations | | NEOZED convenience fuse base made of molded plastic |
| Type, explanations / additionally | | with touch protection BGV A3 |
| Number of poles | | 1 |
| Type of mounting | | DIN rail |
| Operating current / rated value | A | 63 |
| Operating voltage / rated value | V | 400 |
| Material / of D fuse base | | others |
| Product component / Cover | | Yes |
| Size of the fallback-system / acc. to DIN EN 60269-1 | | D02 |
| Service position (permissible) | | variable, preferably vertically |
| Degree of protection / [not supplied - in accordance with DIN EN 60529] | | IP20, with connected conductors |

Certificates/approvals:

General Product Approval

Declaration of
Conformity

Test Certificates

[ROSTEST](#)



[Manufacturer](#)

[Manufacturer](#)

Further information:

Information- and Downloadcenter (Catalogs, Brochures,...)

<http://www.siemens.com/lowvoltage/catalogs>

Industry Mall (Online ordering system)

<http://www.siemens.com/lowvoltage/mall>

Service&Support (Manuals, Certificates, Characteristics, FAQs,...)

<http://support.automation.siemens.com/WW/view/en/5SG1701/all>

Image database (product images, 2D dimension drawings, 3D models, device circuit diagrams, ...)

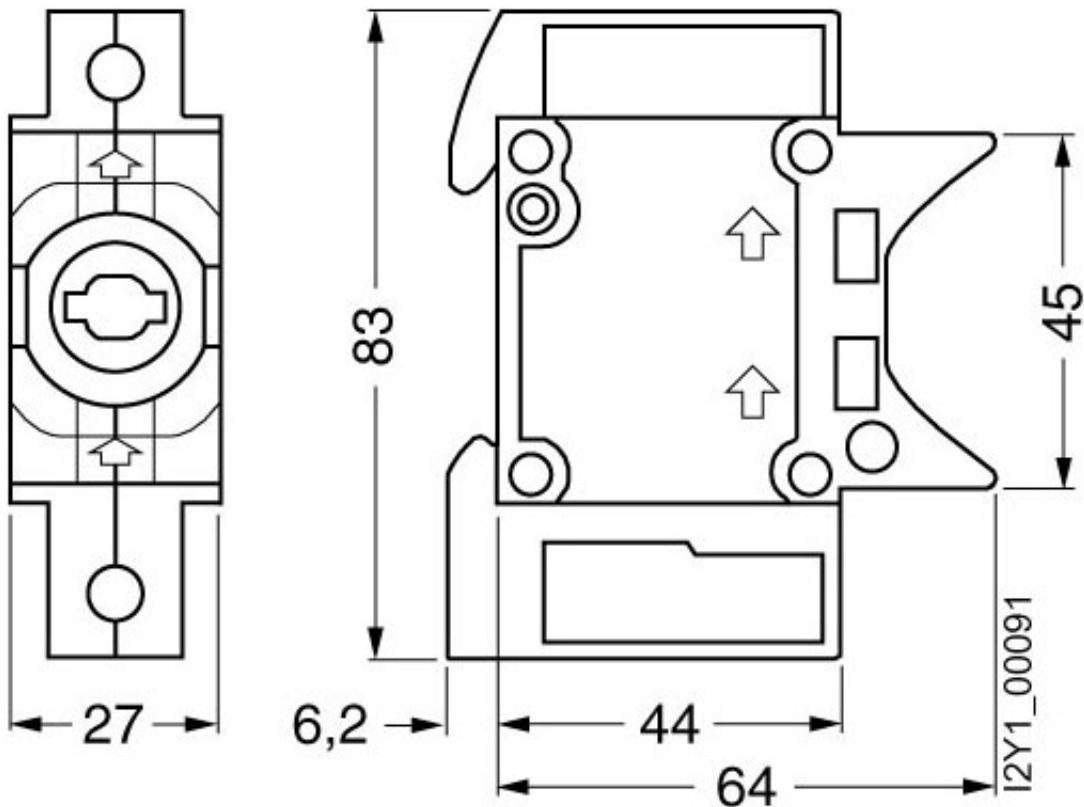
http://www.automation.siemens.com/bilddb/cax_en.aspx?mlfb=5SG1701

CAX-Online-Generator

<http://www.siemens.com/cax>

Tender specifications

[Datanorm GAEB81](#) [GAEB83](#) [RTF](#) [TXT](#)





last change:

Aug 26, 2011