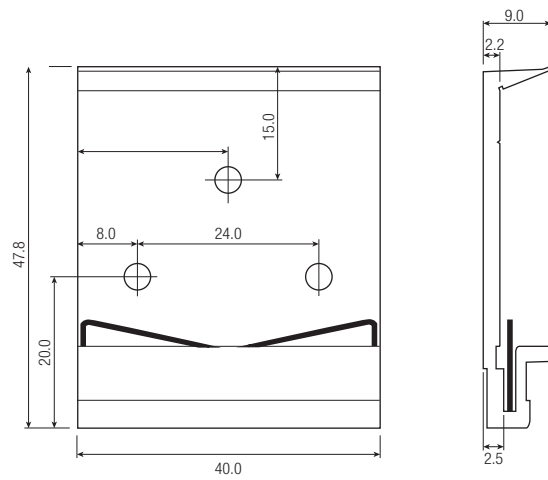


# DIN-Rail removeable Clip for RAC01\_02\_03 A and B Series

Scale: 1:1



Scale: 2:1

