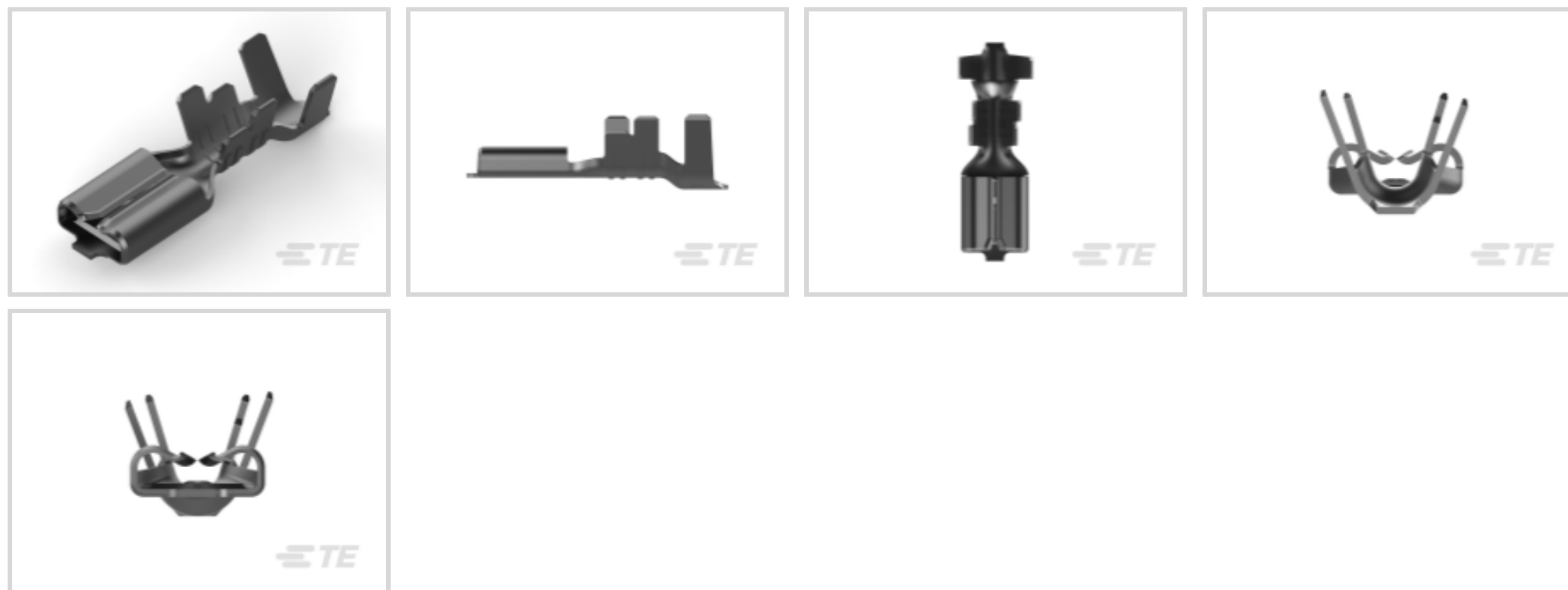




Terminals & Splices > Quick Disconnects



Quick Disconnect Terminal Type: **Receptacle**

Wire Size: **400 – 4100 CMA**

Mating Tab Width: **4.75 mm [.187 in]**

Features

Product Type Features

| | |
|-----------------|-----|
| Insertion Force | Low |
|-----------------|-----|

Configuration Features

| | |
|-----------------------------------|---------------|
| Compatible With Wire & Cable Type | Discrete Wire |
| Connection Capacity | Single |

Electrical Characteristics

| | |
|----------------|-------|
| Voltage Rating | 600 V |
|----------------|-------|

Contact Features

| | |
|--------------------------------|-------------------|
| Quick Disconnect Terminal Type | Receptacle |
| Mating Tab Width | 4.75 mm [.187 in] |
| Mating Tab Thickness | .81 mm [.032 in] |
| Terminal Orientation | Straight |
| Contact Base Material | Brass |
| Terminal Plating Material | Pre-Tin |
| Crimp Type | 2D Crimp |
| Barrel Type | Open |



Termination Features

| | |
|-----------------------|--------------|
| Product Terminates To | Wire & Cable |
|-----------------------|--------------|

Mechanical Attachment

| | |
|-------------------------|--------|
| Wire Insulation Support | With |
| Mating Retention Type | Dimple |

Dimensions

| | |
|--------------------------------------|---------------------------------|
| Compatible Insulation Diameter Range | 1.91 – 3.68 mm [.075 – .145 in] |
| Terminal Material Thickness | .33 mm [.013 in] |
| Wire Size | 400 – 4100 CMA |

Usage Conditions

| | |
|-----------------------------|-----------------------------|
| Insulation Option | Uninsulated |
| Operating Temperature Range | -40 – 125 °C [-40 – 257 °F] |

Industry Standards

| | |
|---------------------------------------------|-----------|
| Compatible With Agency/Standards Products | UL |
| Compatible With Approved Standards Products | UL E66717 |

Packaging Features

| | |
|--------------------|------------|
| Packaging Quantity | 12000 |
| Packaging Method | Strip/Reel |

Other

| | |
|------|----------|
| Line | Standard |
|------|----------|

Product Compliance

For compliance documentation, visit the product page on [TE.com](https://www.te.com)>

| | |
|-----------------------------------------------|-------------------------------------------------------------------------------------------------------------------------------|
| EU RoHS Directive 2011/65/EU | Compliant |
| EU ELV Directive 2000/53/EC | Compliant |
| China RoHS 2 Directive MIIT Order No 32, 2016 | No Restricted Materials Above Threshold |
| EU REACH Regulation (EC) No. 1907/2006 | Current ECHA Candidate List: JAN 2025 (247) Candidate List Declared Against: JAN 2025 (247) Does not contain REACH SVHC |
| Halogen Content | Low Halogen - Br, Cl, F, I < 900 ppm per homogenous material. Also BFR/CFR/PVC Free |

Solder Process Capability

Not reviewed for solder process capability

Product Compliance Disclaimer

This information is provided based on reasonable inquiry of our suppliers and represents our current actual knowledge based on the information they provided. This information is subject to change. The part numbers that TE has identified as EU RoHS compliant have a maximum concentration of 0.1% by weight in homogenous materials for lead, hexavalent chromium, mercury, PBB, PBDE, DBP, BBP, DEHP, DIBP, and 0.01% for cadmium, or qualify for an exemption to these limits as defined in the Annexes of Directive 2011/65/EU (RoHS2). Finished electrical and electronic equipment products will be CE marked as required by Directive 2011/65/EU. Components may not be CE marked. Additionally, the part numbers that TE has identified as EU ELV compliant have a maximum concentration of 0.1% by weight in homogenous materials for lead, hexavalent chromium, and mercury, and 0.01% for cadmium, or qualify for an exemption to these limits as defined in the Annexes of Directive 2000/53/EC (ELV). Regarding the REACH Regulation, the information TE provides on SVHC in articles for this part number is based on the latest European Chemicals Agency (ECHA) 'Guidance on requirements for substances in articles' posted at this URL: <https://echa.europa.eu/guidance-documents/guidance-on-reach>

Compatible Parts



KIT
REPRESENTATION ONLY

TE Part # 7-2150832-7
OCEAN_2.0_SPARE_PART_KIT-110SP1500V



TE Part # 521148-1
250/187 FASTON HSG. REC. 7.9MM2P BLACK



TE Part # 1-480435-0
FASTON 187 REC HSG NYLON NAT



TE Part # 3-480435-1
187 FASTON HSG.,REC.,1 POS, NATRUAL



TE Part # 154512-2
187 FASTON HSG.,REC.,1 POS, NATRUAL



TE Part # 1738473-1
250 FASTON HSG.,REC.,NATRUAL



TE Part # 1969116-1
187 & 250 FASTON HSG.,REC.,3 POS, NATRUAL



TE Part # 480435-1
187 FASTON HSG. REC 1P NATURAL



TE Part # 360010-4
187 FASTON HSG.,REC.,3 POS, BLACK



TE Part # 520212-1
187 FASTON HSG. REC 3P NATURAL



TE Part # 521488-1
250/187 FASTON HSG. REC 3P NATURAL



TE Part # 2150832-2
OCEAN_2.0_APPLICATOR-E-110SP1500V-SEA



TE Part # 480435-2
187 FASTON HSG. REC 1P BLACK

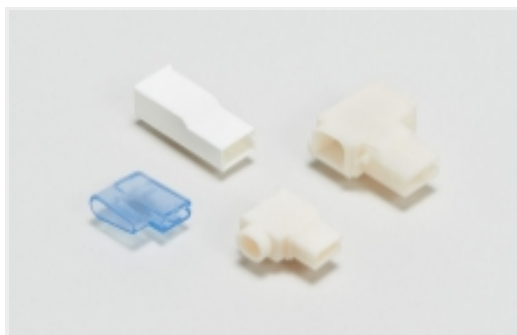


TE Part # 520212-2
187 FASTON HSG. REC 3P RED



TE Part # 360010-1
187 FASTON HSG., REC., 3 POS,
NATURAL

Also in the Series | **FASTON 187**



Crimp Terminal Housings(40)



Insertion & Extraction Tools(1)



Insulation Boots & Sleeves(1)



Joints & Splices(1)



PCB Terminals(42)



Quick Disconnects(205)



Splices(1)

Customers Also Bought



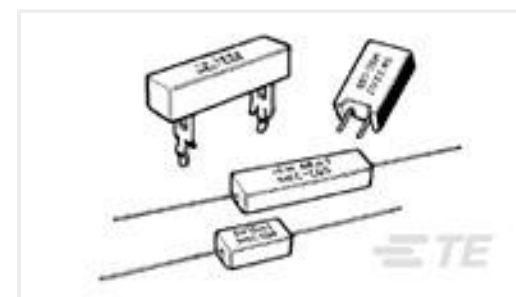
TE Part #332985-000
TMS-SCE-1K-3/8-2.0-0



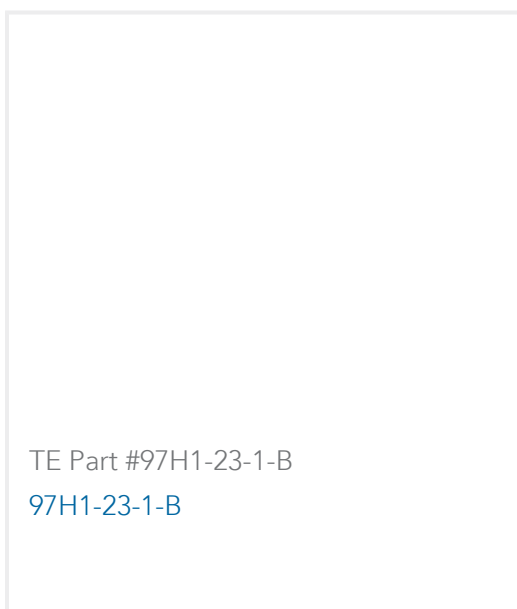
TE Part #4-1879224-2
CPF 0603 8K25 0.1% 25PPM 1K RL



TE Part #154512-2
187 FASTON HSG., REC., 1 POS,
NATURAL



TE Part #1879009-4
SQB30 2R2 5% 6.35MM FASTON



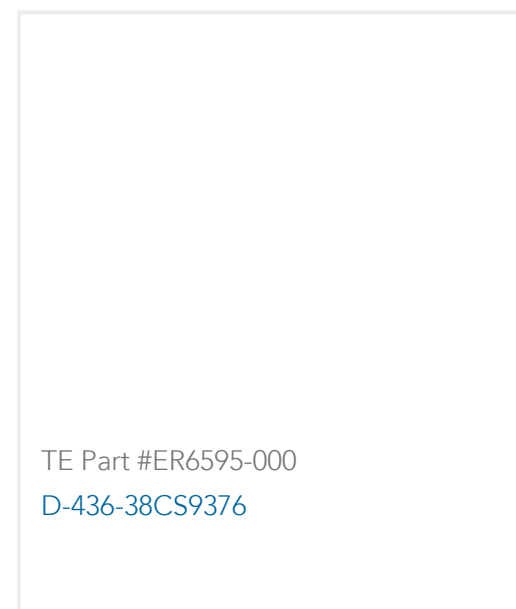
TE Part #97H1-23-1-B
97H1-23-1-B



TE Part #5-1393211-4
T92P11D22-24



TE Part #6-160432-3
250 FASTON REC 20-16 AWG NPST



TE Part #ER6595-000
D-436-38CS9376



Documents

Product Drawings

[187 FASTON,REC.,24-14 AWG,TPBR](#)

English

CAD Files

[3D PDF](#)

3D

Customer View Model

[ENG_CVM_CVM_2238174-3_A.2d_dxf.zip](#)

English

Customer View Model

[ENG_CVM_CVM_2238174-3_A.3d_igs.zip](#)

English

Customer View Model

[ENG_CVM_CVM_2238174-3_A.3d_stp.zip](#)

English

By downloading the CAD file I accept and agree to the [Terms and Conditions](#) of use.

Datasheets & Catalog Pages

[1-1773948-2 Standard Line FASTON Receptacles QRG](#)

English

Product Specifications

[Application Specification](#)

English

Agency Approvals

[VDE Certificate](#)

English