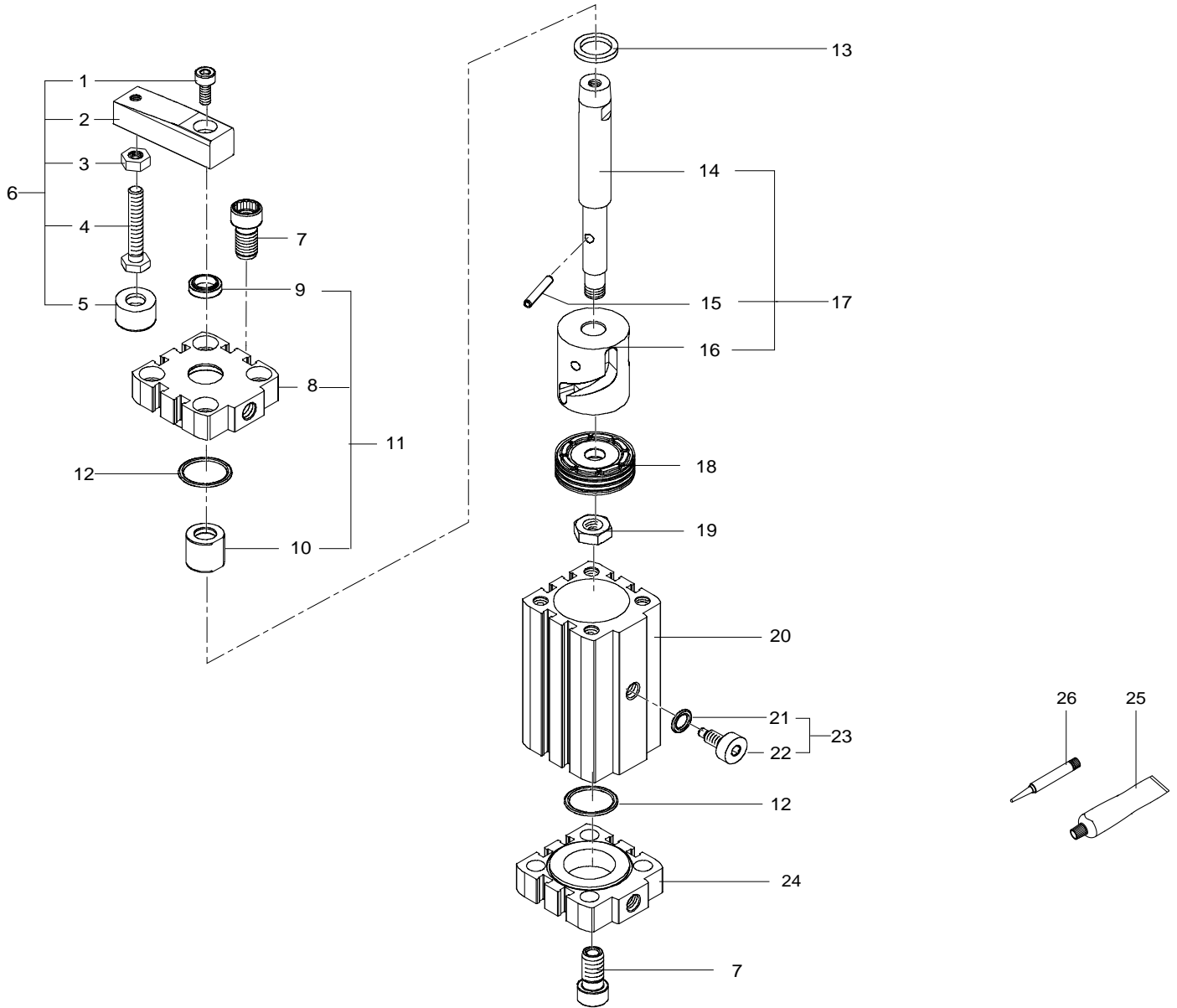


543177 CLR-32-10-R-P-A-B Linear/swivel clamp - Series: All



543177 CLR-32-10-R-P-A-B Linear/swivel clamp - Series: All

Pos.	Part no.	Type	Note	Qty.	Unit
A	673619	CLR-32-...-P-A Set of wearing parts	Spare parts: 5, 9, 12, 13, 18, 21, 25, 26	1	PC
1	200201	ISO 4762-M8X16-10.9 Socket head screw	Tightening torque 24 Nm / 17.7 lbf ft	1	PC
2		CLR-32/40 Clamping finger	Not available separately, see position 6	1	PC
3	200719	DIN 934-M8-8 Hex nut	Tightening torque 0.5 Nm / 0.4 lbf ft	1	PC
4	672299	M8X40 Hexagon head screw		1	PC
5	671071	15X19X13 Cover cap		1	PC
6	535554	CLR-32/40-FS Clamping arm		1	PC
7	658856	ADN-32/40 flange screw	Use locking compound. See position 26 Tightening torque 23.5 Nm / 17.3 lbf ft	4	PC
8		CLR-32 Bearing cap	Not available separately, see position 11	1	PC
9	369543	WIFC1-16X20,5X4-TPE-U Wiper seal	Grease using during assembly. See position 25	1	PC
10		CLR-32/40 Bearing	Not available separately, see position 11	1	PC
11	669812	CLR-32 Bearing cap module		1	PC
12		B-31,8X1-N-NBR75 O-ring ISO3601	Not available separately, see position A Grease using during assembly. See position 25	2	PC
13		CLR-32/40 Cushioning	Not available separately, see position A	1	PC
14		IRA-16-S0115,4-A9IK Piston rod	Not available separately, see position 17	1	PC
15		DIN 7344-4X26 Spring pin	Not available separately, see position 17 Grease using during assembly. See position 25	1	PC
16		CLR-32-10 Guide sleeve	Not available separately, see position 17	1	PC
17	696423	CLR-32-10-B Piston rod module		1	PC
18		BA-K10D-032-A Complete piston	Not available separately, see position A Grease using during assembly. See position 25	1	PC
19	200602	DIN 439-B-M8-04 Hex nut	Tightening torque 9.5 Nm / 7.0 lbf ft	1	PC
20		CLR-32-10 Cylinder barrel	Not available	1	PC
21		B-9,5X1,5-N-NBR70 O-ring ISO3601	Not available separately, see position 23+999 Grease using during assembly. See position 25	1	PC
22		CLR-32 Guide pin	Not available separately, see position 23 Use locking compound. See position 26	1	PC
23	689361	CLR-32-B Pin module	Tightening torque 20 Nm / 14.8 lbf ft	1	PC
24		CLR-32 End cap	Not available	1	PC
25	684474	LUB-KC1 SILIKONFREI 20ML Lubricating grease		1	PC
26	8181256	CYBERBOND TM44 TB1ML Adhesive bonding agent		1	PC