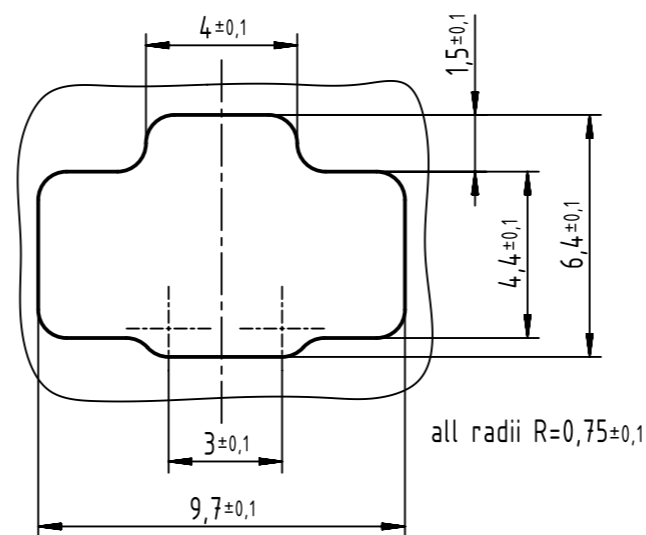
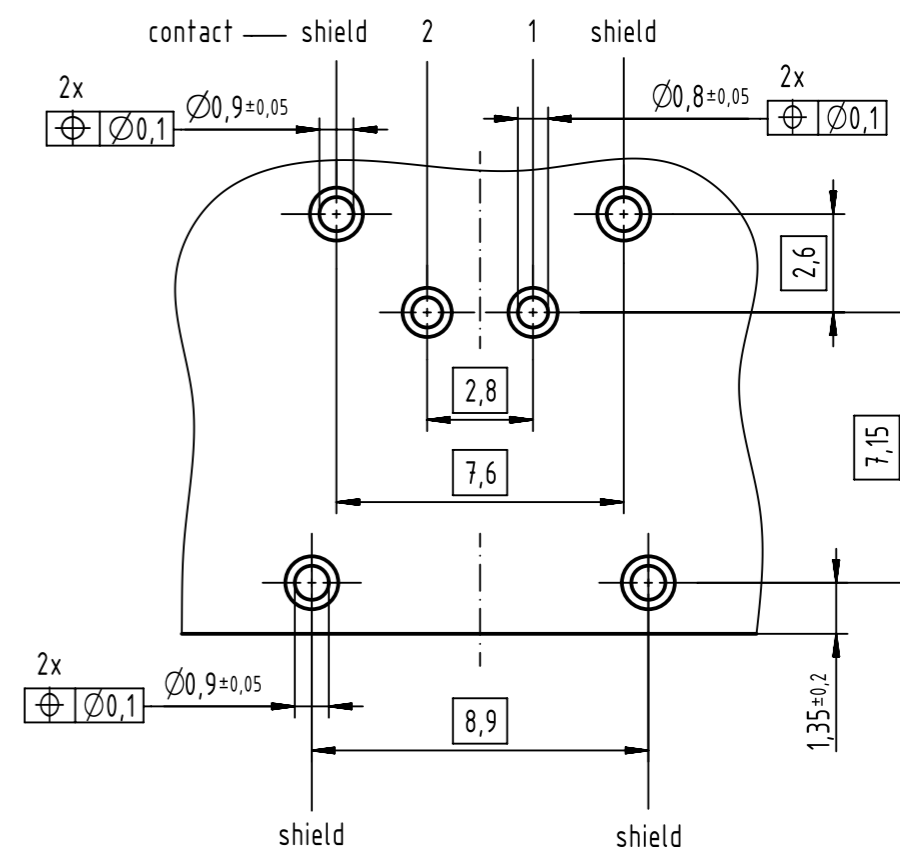


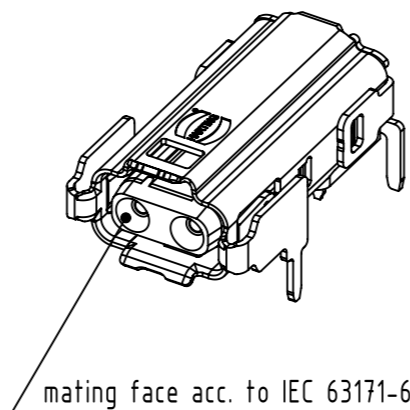
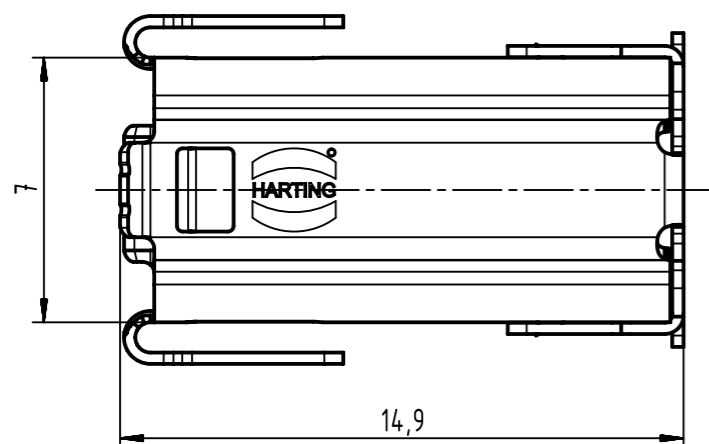
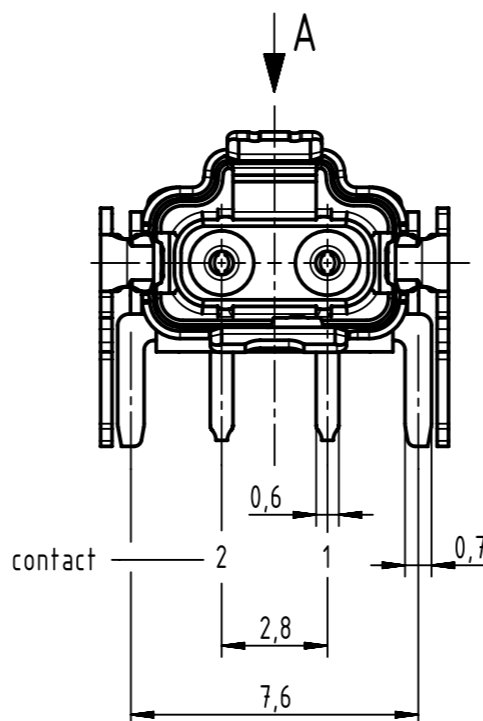
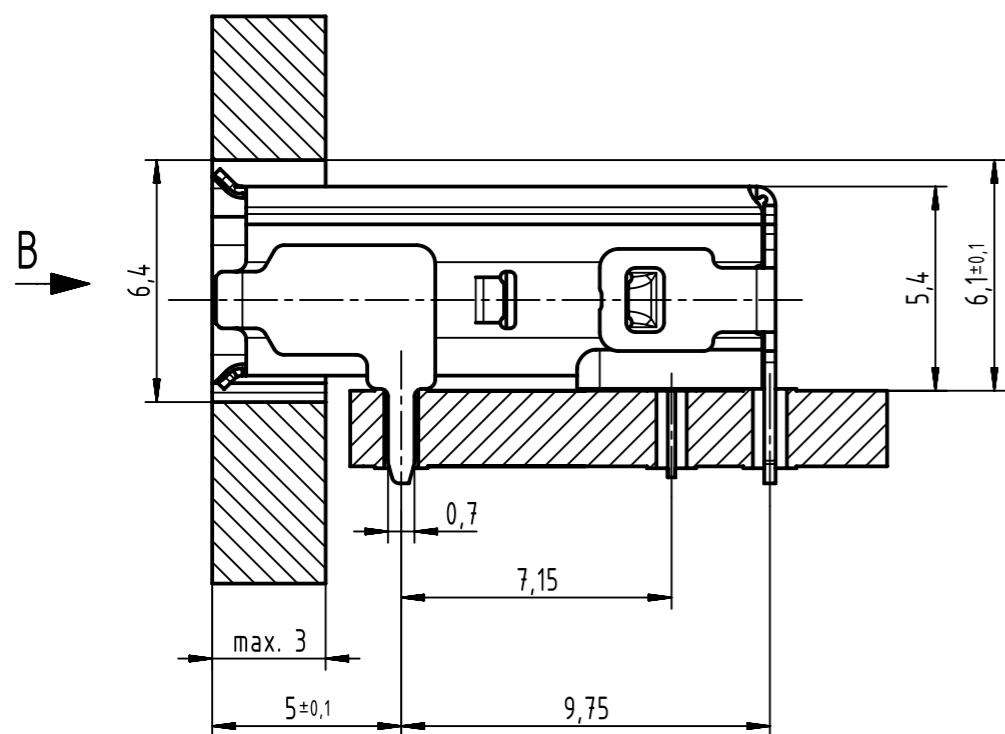
B
panel cutout



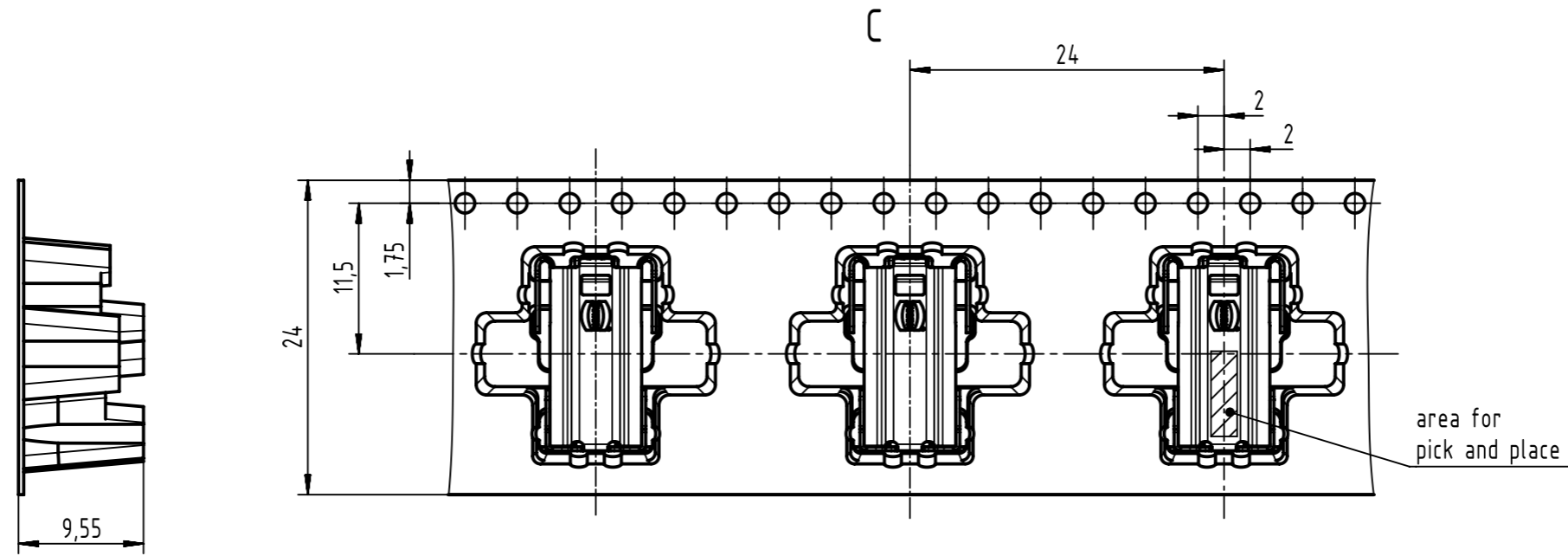
A
PCB layout



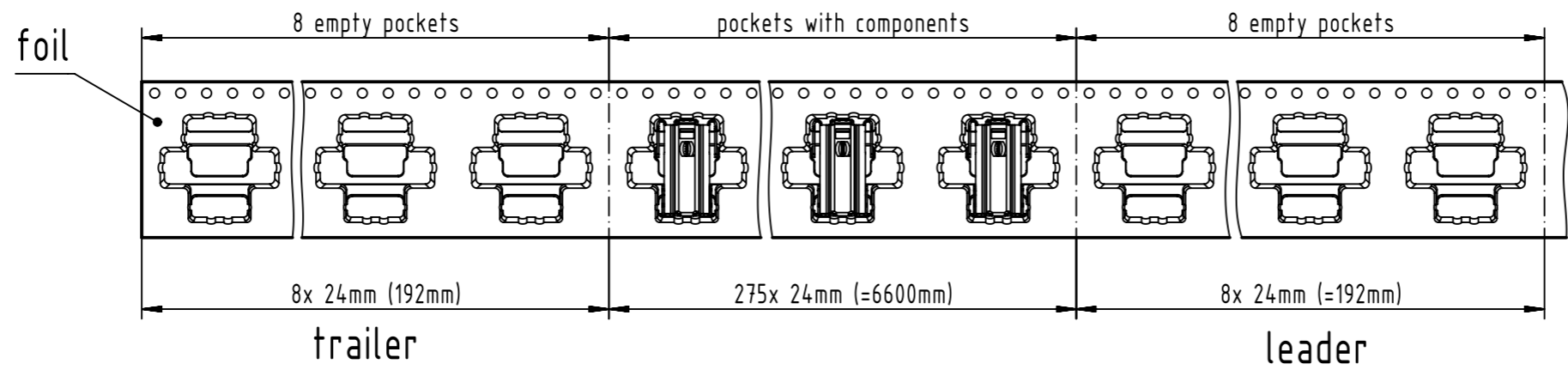
contact	PMA signal
1	BI_DA+
2	BI_DA-



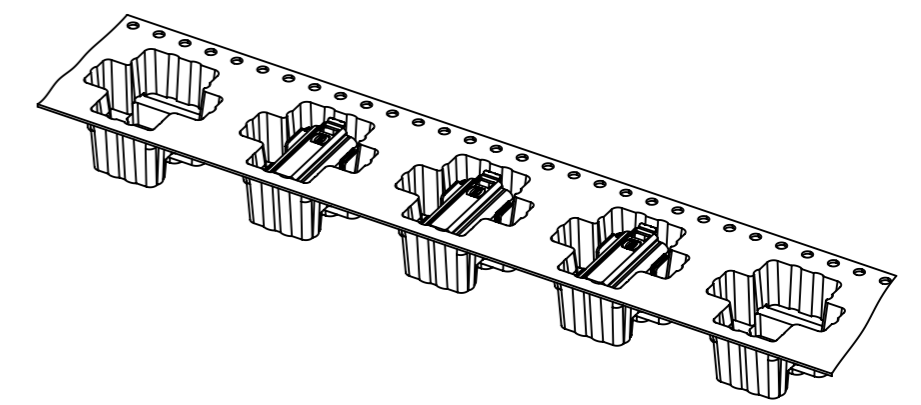
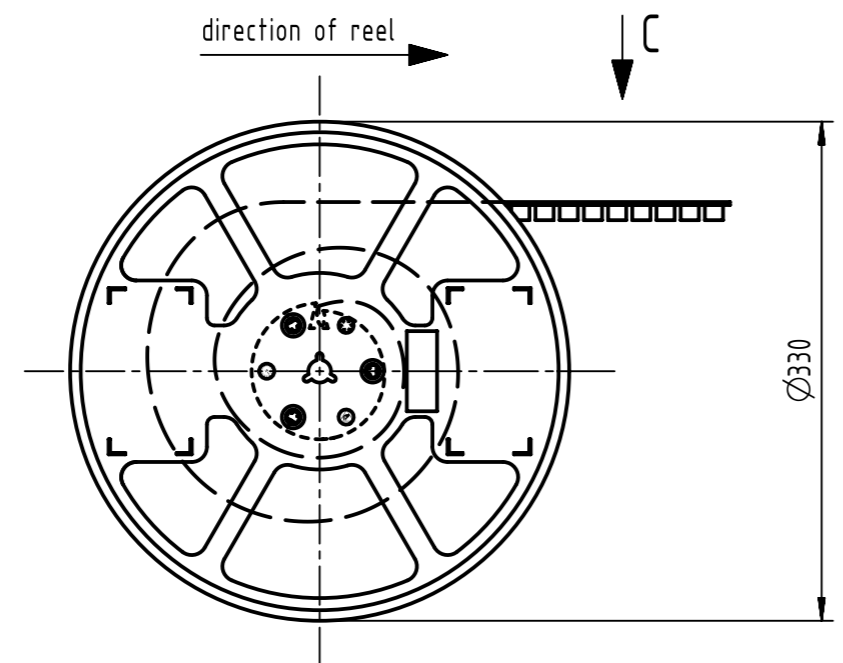
09 45 281 2800 333	T1 Industrial jack AH IP20	1 piece
09 45 281 2800		275 pieces
part number	description	packaging unit
All Dimensions in mm Original Size DIN A3	Scale 5:1	Free size tol.
		Ref.
		Sub. TB 09452812800 / ECM 500000151492 / 2019-05-09
All rights reserved Department EL PD	Created by HASELOH	Inspected by LUETTERMANN
	Standardisation HOFFMANN	Date 2020-03-10
		State Final Release
HARTING Electronics GmbH D-32339 Espelkamp	Title T1 Industrial jack AH IP20	Doc-Key / ECM-Nr. 100689697/UGD/003/J 500000167744
	Type TB	Number 09452812800
		Rev. J
		Page 1/2



(1:1)



(1:5)



tape and reel acc. to DIN EN 60286-3

	All Dimensions in mm Original Size DIN A3		Scale 2:1	Free size tol.		Ref. Sub.	
	All rights reserved Department EL PD		Created by HASELOH	Inspected by LUETTERMANN	Standardisation HOFFMANN	Date 2020-03-10	State Final Release
HARTING Electronics GmbH D-32339 Espelkamp		Title T1 Industrial jack AH IP20			Doc-Key / ECM-Nr. 100689697/UGD/003/J 500000167744		Rev. J
		Type TB	Number 09452812800		Page 2/2		