

173858-6 ✓ ACTIVE

AMP | Multilock Connector System

TE Internal #: 173858-6

Horizontal, Wire-to-Board, 12 Position, 2 Row, 3.5mm [.138in]

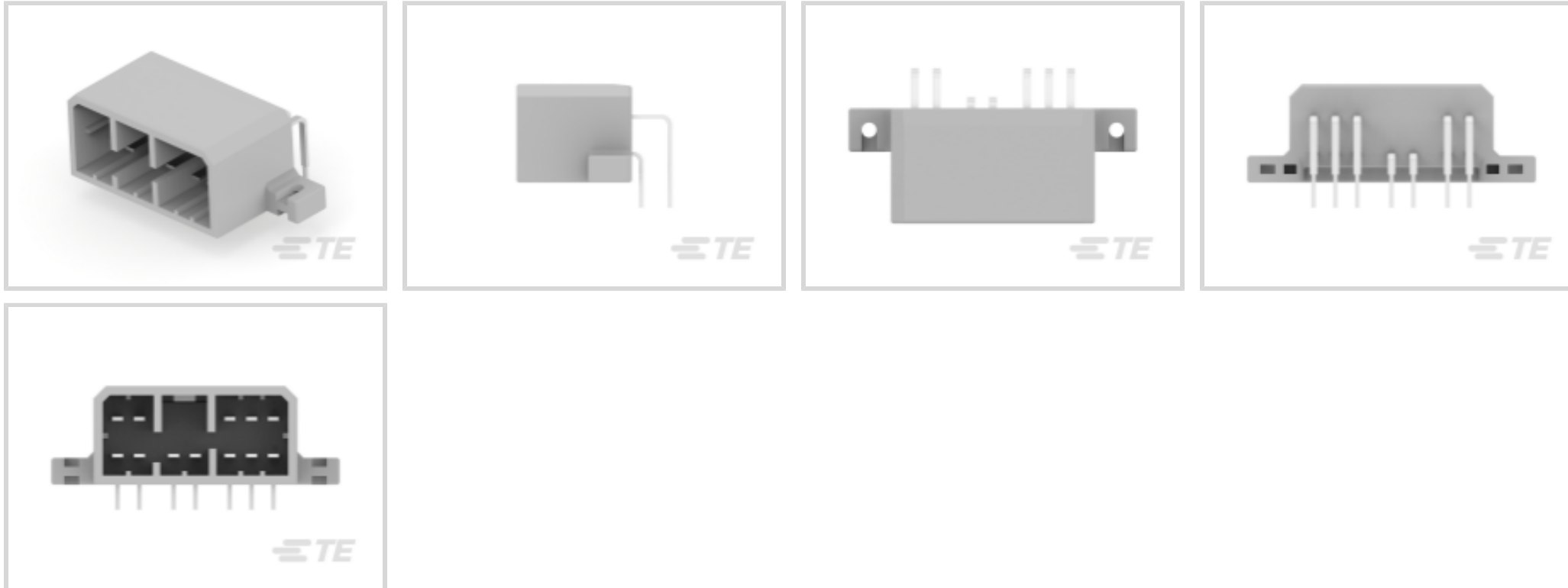
Centerline, Tin (Sn), Printed Circuit Board, Signal, Gray, Multilock

Connector System

[View on TE.com >](#)



Automotive Parts > Automotive Connectors > Automotive Headers > Low & Medium Power Header



PCB Mount Orientation: **Horizontal**

Termination Method to PCB: **Through Hole - Solder**

Sealable: **No**

Centerline (Pitch): **3.5 mm [.138 in]**

Connector System: **Wire-to-Board**

[All Low & Medium Power Header \(61\)](#)

Features

Product Type Features

Connector Product Type	Connector Assembly
Mixed & Hybrid Header	No
Header Type	Fully Shrouded
Connector Shape	Rectangular
Sealable	No
Connector System	Wire-to-Board
Connector & Contact Terminates To	Printed Circuit Board

Configuration Features

Number of Signal Positions	12
Number of Sections	1
PCB Mount Orientation	Horizontal
Number of Positions	12
Number of Rows	2



Electrical Characteristics

Operating Voltage	12 VDC
Voltage Rating (Max)	12 VDC
Nominal Voltage Architecture	12 V

Body Features

Primary Product Color	Gray
-----------------------	------

Contact Features

Mating Tab Width	1.8 mm[.071 in]
Mating Tab Thickness	.64 mm[.025 in]
Contact Type	Tab
Contact Mating Area Plating Material	Tin (Sn)

Termination Features

Termination Method to PCB	Through Hole - Solder
---------------------------	-----------------------

Mechanical Attachment

Panel Mount Feature	Without
Mating Retention Type	Locking Interface
PCB Mount Retention	Without
Mounting Holes	With
Mating Alignment	With
PCB Mount Alignment	Without

Housing Features

Centerline (Pitch)	3.5 mm[.138 in]
--------------------	-----------------

Dimensions

Connector Width	46.3 mm[1.823 in]
PCB Thickness (Recommended)	1.6 mm[.063 in]
Connector Length	24.92 mm[.981 in]
Profile Height from PCB	15.8 mm[.622 in]

Usage Conditions

Operating Temperature (Max)	65 °C, 70 °C, 75 °C, 80 °C, 85 °C, 90 °C, 100 °C, 105 °C[212 °F]
Operating Temperature Range	-30 – 105 °C[-22 – 221 °F]

Operation/Application



Shielded	No
----------	----

Circuit Application	Signal
---------------------	--------

Packaging Features

Packaging Quantity	60
--------------------	----

Packaging Method	Tube
------------------	------

Other

Interface Number	173851
------------------	--------

Product Compliance

[For compliance documentation, visit the product page on TE.com>](#)

EU RoHS Directive 2011/65/EU	Compliant
------------------------------	-----------

EU ELV Directive 2000/53/EC	Compliant
-----------------------------	-----------

China RoHS 2 Directive MIIT Order No 32, 2016	有害物质含量符合标准要求 No Restricted Substance(s) Above Threshold
-----------------------------------------------	---------------------------------------------------------

EU REACH Regulation (EC) No. 1907/2006	Current ECHA Candidate List: JUNE 2025 (250) Candidate List Declared Against: JAN 2025 (247) Does not contain REACH SVHC
----------------------------------------	--------------------------------------------------------------------------------------------------------------------------------

Halogen Content	Low Halogen - Br, Cl, F < 900 ppm per homogenous material. Also BFR/CFR/PVC Free
-----------------	----------------------------------------------------------------------------------

Solder Process Capability	Wave solder capable to 240°C
---------------------------	------------------------------

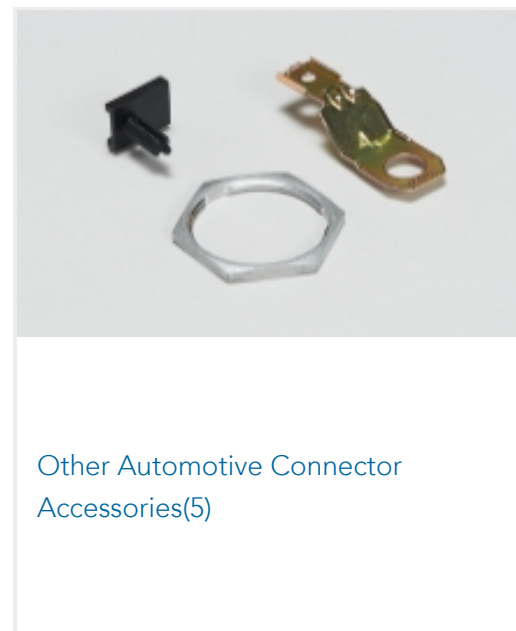
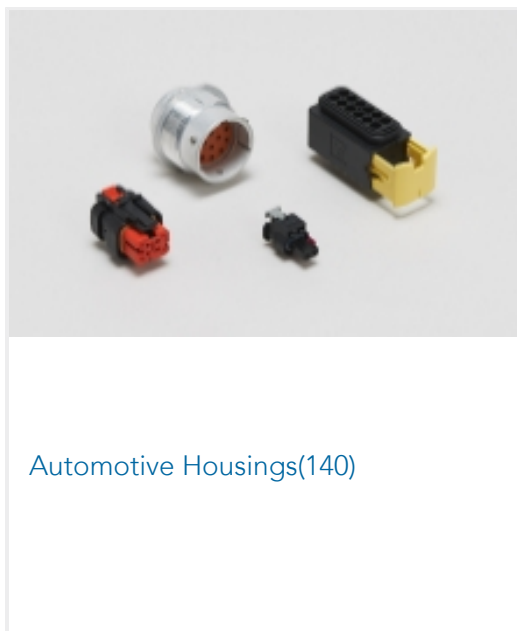
Product Compliance Disclaimer

This information is provided based on reasonable inquiry of our suppliers and represents our current actual knowledge based on the information they provided. This information is subject to change. The part numbers that TE has identified as EU RoHS compliant have a maximum concentration of 0.1% by weight in homogenous materials for lead, hexavalent chromium, mercury, PBB, PBDE, DBP, BBP, DEHP, DIBP, and 0.01% for cadmium, or qualify for an exemption to these limits as defined in the Annexes of Directive 2011/65/EU (RoHS2). Finished electrical and electronic equipment products will be CE marked as required by Directive 2011/65/EU. Components may not be CE marked. Additionally, the part numbers that TE has identified as EU ELV compliant have a maximum concentration of 0.1% by weight in homogenous materials for lead, hexavalent chromium, and mercury, and 0.01% for cadmium, or qualify for an exemption to these limits as defined in the Annexes of Directive 2000/53/EC (ELV). Regarding the REACH Regulation, the information TE provides on SVHC in articles for this part number is based on the latest European Chemicals Agency (ECHA) 'Guidance on requirements for substances in articles' posted at this URL: <https://echa.europa.eu/guidance-documents/guidance-on-reach>

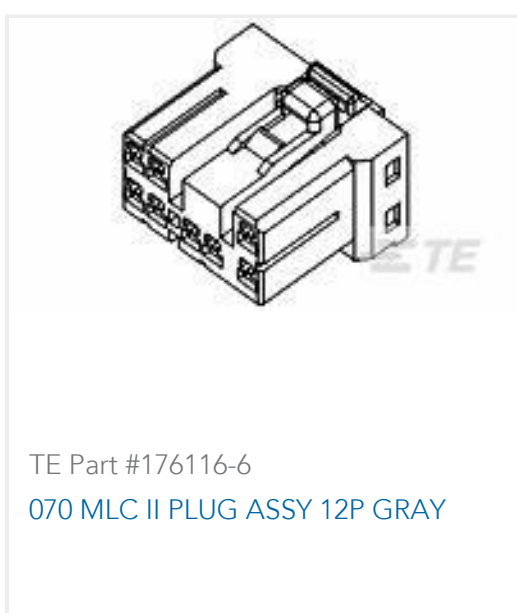
Compatible Parts



Also in the Series | Multilock Connector System



Customers Also Bought



Documents

CAD Files

Customer View Model

[ENG_CVM_173858-6_H2.3d_stp.zip](#)

English

Customer View Model

[ENG_CVM_173858-6_H2.2d_dxf.zip](#)

English



3D PDF

English

Customer View Model

[ENG_CVM_173858-6_H2.3d_igs.zip](#)

English

3D PDF

3D

Customer View Model

[ENG_CVM_CVM_173858-6_J1.2d_dxf.zip](#)

English

Customer View Model

[ENG_CVM_CVM_173858-6_J1.3d_igs.zip](#)

English

Customer View Model

[ENG_CVM_CVM_173858-6_J1.3d_stp.zip](#)

English

By downloading the CAD file I accept and agree to the [Terms and Conditions](#) of use.

Product Specifications

Product Specification

Japanese

[.070 Series Multilock I/O Connector \(MLC\) MK-II for P.C.B.](#)

Japanese

Product Specification

Japanese