

Mod. G7560 - Fittings Series 7000 - Automation

Product code: G7560 12

Datasheet creation date: 12/12/2025 08:31

Check the most updated document online [click here](#)

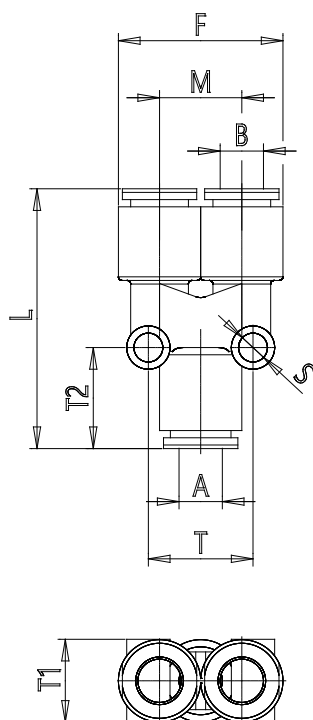


TECHNICAL DATA

Mod.	G7560 12
------	----------

Mod. G7560 - Fittings Series 7000 - Automation

Product code: G7560 12



DIMENSIONS

A (mm)	12
B (mm)	12
F (mm)	40.0
L (mm)	55.0
M (mm)	20.0
S (mm)	4
T (mm)	22.0
T1 (mm)	20.0
T2 (mm)	19.0
Weight (g)	27.0