

M16 Female Connector Assembly



Features

- High level of ingress protection, meaning it is suitable for use in dusty or damp environments
- Robust nickel plated housing
- High endurance
- Designed to provide a convenient and reliable connection system suited to a wide range of industrial applications



Specification

Art Nr.	Contacts	Rated Current	Rated Voltage	Rated Pulse Voltage	Insulation Resistance	Contact Resistance
RND 205-01412	12	3 A	60 V	500 V	100 mOhm	3 MOhm
RND 205-01413	14	3 A	60 V	500 V	100 mOhm	3 MOhm
RND 205-01414	3	7 A	250 V	1.5 kV	100 mOhm	5 MOhm
RND 205-01415	4	6 A	250 V	1.5 kV	100 mOhm	5 MOhm
RND 205-01416	5	6 A	250 V	1.5 kV	100 mOhm	5 MOhm
RND 205-01417	6	5 A	250 V	1.5 kV	100 mOhm	5 MOhm
RND 205-01418	7	5 A	125 V	800 V	100 mOhm	5 MOhm
RND 205-01419	8	5 A	125 V	800 V	100 mOhm	5 MOhm

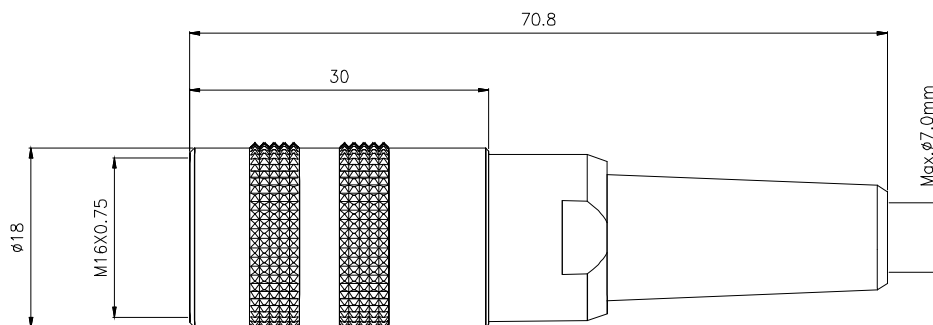
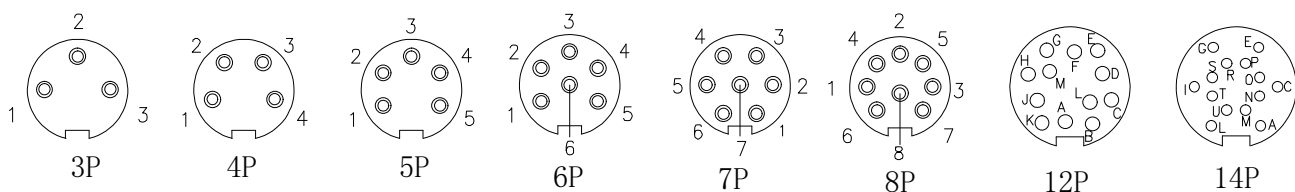
General Specification

Connector Locking	Screw
Termination	Solder
Temperature Range	-25 ... 85 °C
Mating Cycles	> 500
Degree of Protection	IP67

Material Specification

Contact	CuSn
Contact Plating	Gold
Contact Insert	PA66+GF UL94 Black
M16 Coupling	CuZn Nickel Plated
Seal	NBR Black

Drawing & Pin Layout



M16 Female Straight Connector, Assembly



Accessories

RND 205-01434
M16 Protection Cap for Female connector

