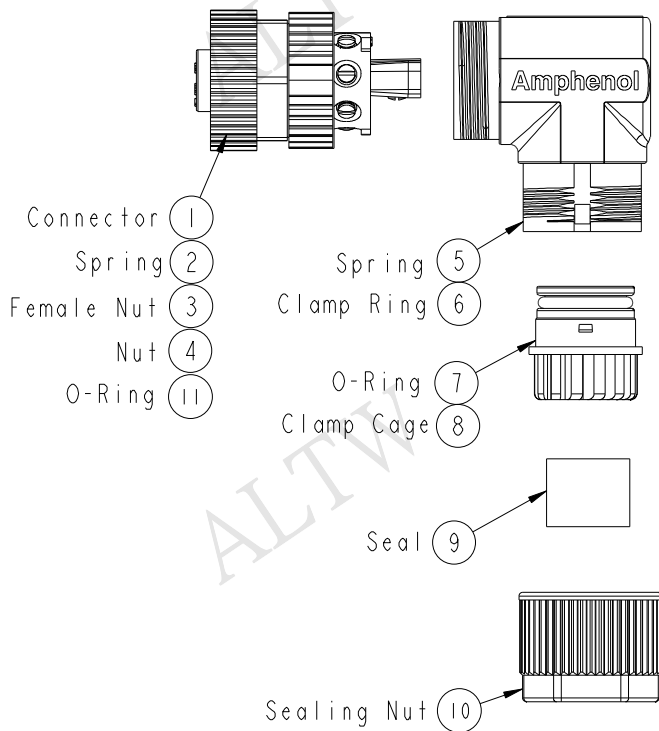
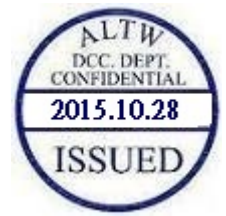
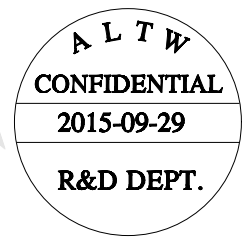
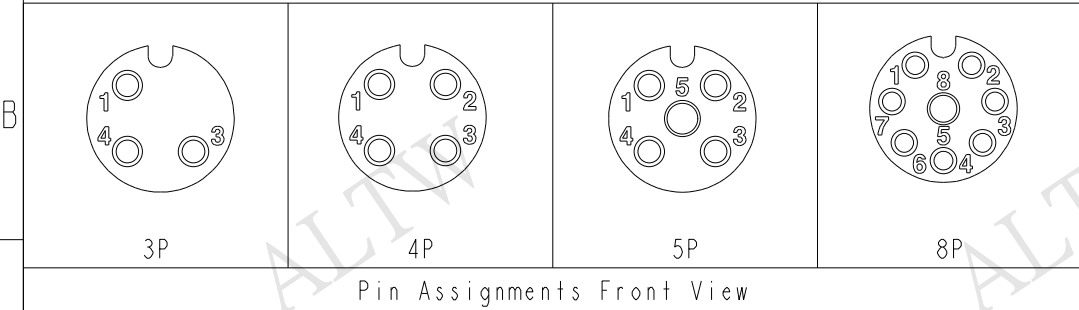
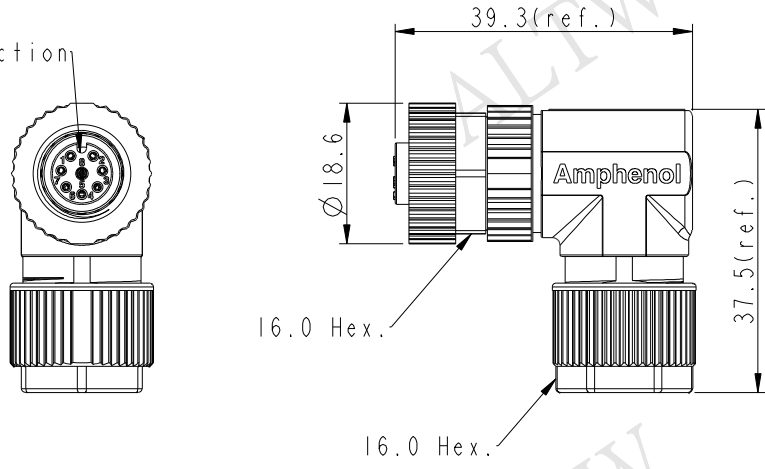


REV.	ECN NO.	DATE	SIGN	DESCRIPTION



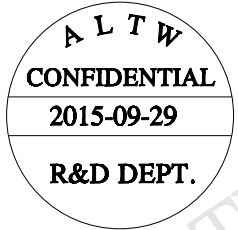
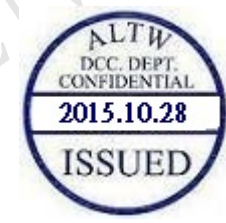
360° Adjustable Key Code Direction



UNIT:mm TOLERANCE $\pm 0.5\text{mm}$	TITLE M12 A-Code 90° Shielded Assy F Conn. F Pin			<b>Amphenol LTW</b> 安費諾亮泰企業股份有限公司		ITEM NO.	DRAWN BY Mila	DATE 2015-09-29
	SCALE 1:1	SIZE A4	SHEET 1 OF 2			DWG NO. MSAS-XXBFFB-SR7001	CHECKED BY Cary	DATE 2015-09-29
	REV. A	WC-REV. A.3	QC: Inspection item			CUSTOMER ALTW	APPROVED BY Jerry	DATE 2015-09-29

THIS DOCUMENT IS SUBJECT TO CHANGE WITHOUT NOTICE. IT IS CONFIDENTIAL AND A PROPERTY OF Amphenol LTW. DISCLOSURE TO THIRD PARTY HAS TO BE AUTHORIZED BY Amphenol LTW.

THIS DOCUMENT IS SUBJECT TO CHANGE WITHOUT NOTICE. IT IS CONFIDENTIAL AND A PROPERTY OF AMPHENOL LTW. DISCLOSURE TO THIRD PARTY HAS TO BE AUTHORIZED BY AMPHENOL LTW.



M SAS - XX B F F B - S R 7 001

SAS: A-Code Shielded  
 03: 3Pin  
 04: 4Pin  
 05: 5Pin  
 08: 8Pin  
 B: Without S/R(無網尾)  
 F: Female Connector(母座)  
 F: Female Pin(母Pin)  
 001: Without Cable  
 7: IP67(防水等級67)  
 R: Right(90°)  
 S: Screw(螺紋式)  
 B: Screw in Type(組裝式)

- Note:
- \*  $\varnothing$  Important Dimension To Check.
  - \* Waterproof Rate: IP67
  - \* Housing: Nylon,Black
  - \* Clamp Cage: Nylon,Black
  - \* Female Pin: Copper Alloy, Gold Plated
  - \* Female Nut: Zinc Alloy, Nickel Plated
  - \* Nut: Zinc Alloy, Nickel Plated
  - \* O-Ring: Silicon,Grey
  - \* Clamp Ring: Zinc Alloy, Nickel Plated
  - \* Sealing Nut: Zinc Alloy, Nickel Plated
  - \* Seal: Silicon,Grey
  - \* Seal For Cable OD:  $\varnothing 4.0\text{mm} \sim \varnothing 7.0\text{mm}$
  - \* Screws for Wire connection recommended tightening torque: 0.61~0.84 kgf.cm / 0.059~0.082 N.m
  - \* Applicable Wire gauge (Stranded wire cross section) 0.14mm<sup>2</sup> (26AWG) ~ 0.82mm<sup>2</sup> (18AWG)
  - \* Mating Recommended tightening torque: 3~4 kgf.cm / 0.29~0.39 N.m
  - \* Sealing-Nut Recommended tightening torque: 4~6 kgf.cm / 0.39~0.59 N.m
  - \* Detailed applicable wire specifications may vary depending on the actual wire construction.

UNIT:mm TOLERANCE $\pm 0.5\text{mm}$	TITLE M12 A-Code 90° Shielded Assy F Conn. F Pin		Amphenol LTW 安費諾亮泰企業股份有限公司		ITEM NO	DRAWN BY Mila	DATE 2015-09-29
	SCALE 1:1	SIZE A4			SHEET 2 OF 2	DWG NO MSAS-XXBFFB-SR7001	CHECKED BY Cary
	REV. A	WC-REV. A.3	$\varnothing$ Inspection item	CUSTOMER ALTW	APPROVED BY Jerry	DATE 2015-09-29	