

REV.	DESCRIPTION	ED	APP. BY
P-0009	REVISION 12/03/01	48737	A.A.

UNLESS OTHERWISE SPECIFIED: 1. TOLERANCES ARE: DECIMALS  $\pm .003$ , FRACTIONS  $\pm .010$  AND ANGLES  $\pm 1/2^\circ$ ; 2. MAX. BURR  $.003$ ; BREAK SHARP EDGES  $.005$  MAX.; 3. CONCENTRICITY OF DIAMETERS ON A COMMON CENTERLINE TO BE  $.004$  T.I.R.; 4. PERPENDICULARITY AND PARALLELISM OF ALL SURFACES TO BE  $.005$  PER INCH TO A MAX. OF  $.010$  PER SINGLE SURFACE; 5. ALL DIMENSIONS ARE IN INCHES AND INCLUDE APPLIED SURFACES; 6. DO NOT SCALE DRAWING.

CRITICAL DIMENSION OR ITEM: ACTUAL INSPECTION DATA AND/OR STATEMENT OF CONFORMANCE REQUIRED IN CERTIFICATION FORMAT.  
 CRITICAL DIMENSION OR ITEM: SPC (STATISTICAL PROCESS CONTROL) REQUIRED TO ACCOMPANY CERTIFICATION PACKAGE.  
 A COMPLETE CERTIFICATION PACKAGE INCLUDING ALL ITEMS AS IDENTIFIED ABOVE MUST ACCOMPANY ALL SHIPMENTS.

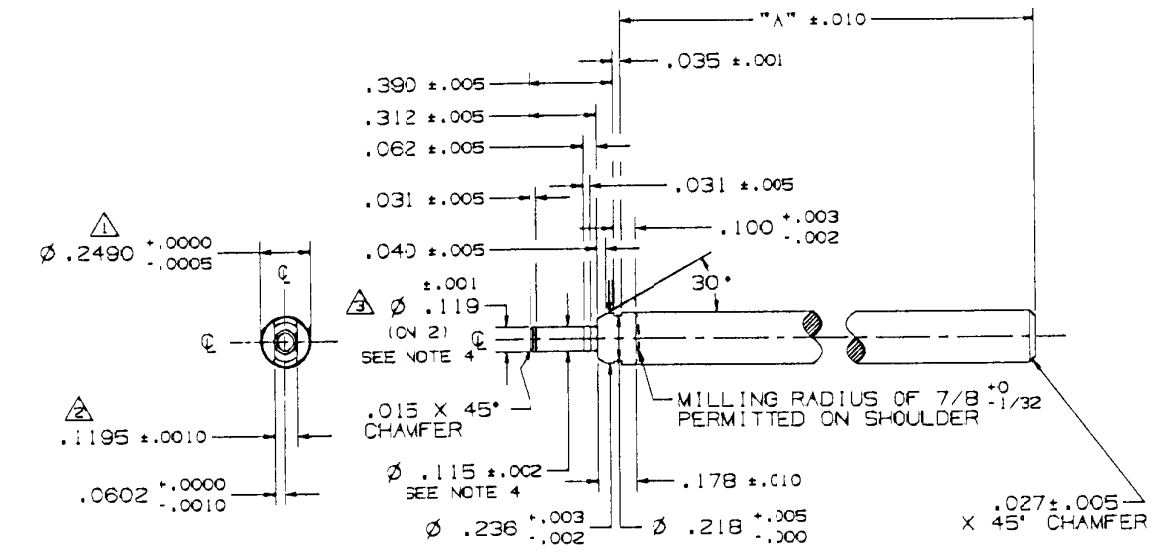


FIG. 1 (RS)

NOTES:

1. CONCENTRICITY OF DIAMETERS ON A COMMON CENTERLINE TO BE WITHIN  $.001$  T.I.R.
2. PARALLELISM BETWEEN FLATS & CENTERLINE TO BE WITHIN  $.001$  T.I.R.
3. NO BURR SHALL EXCEED DIMENSIONAL LIMIT AFFECTED; NO BURR SHALL EXCEED  $.003$ .
4. SMALL FLATS PERMISSIBLE ON EACH OF THE  $.1190 \pm .0005$  DIAMETER LAND AREAS, FLATS MUST NOT BE LESS THAN  $.113$  DIA.

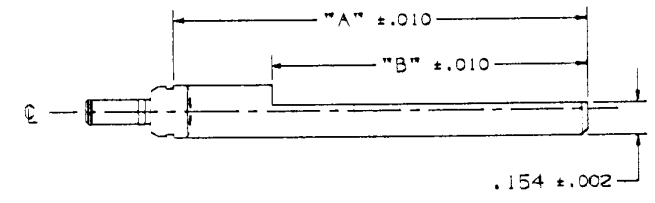


FIG. 2 (FS)  
(OTHERWISE AS FIG. 1)

SEE SHEET 2 FOR NEXT OPTIONS

PART NO.	MATERIAL	FINISH	DIM. "A"	DIM. "B"	DIM. "C"	DIM. "D"	TYPE	FIG.
0.8732 27	50035601 ALUM.	NONE	.818				FOR OPT. 12	58
0.8732 28	50035601 ALUM.	NONE	.514				FOR OPT. 11	52
0.8732 25	50035601 ALUM.	NONE	N/A				FOR RN	12
0.8732 24	50042101, BRASS	NI. PL./750874	4.968				FOR OPT. 09	53
0.8732 23	50042101, BRASS	NI. PL./750874	2.968				FOR OPT'S. 08 & 14	53
0.8732 22	50035601 ALUM.	NONE	.468				FOR OPT. 07	53
0.8732 21	50042101, BRASS	NI. PL./750874	.258				FOR OPT. 06	53
0.8732 20	50035601 ALUM.	NONE	4.968				FOR OPT'S. 03 & 05	52
0.8732 19	50035601 ALUM.	NONE	2.968				FOR OPT'S. 02 & 04	52
0.8732 18	50035601 ALUM.	NONE	1.968				FOR OPT. 1	52
0.8732 17	50035601 ALUM.	NONE	.468				SPEC.	10
0.8732 16	50035601 ALUM.	NONE	.468				RS-1/2	1
0.8732 15	50035601 ALUM.	NONE	.560				RSS-19/32	9
0.8732 14	50042101, BRASS	NI. PL./750874	2.968	2.750	2.750		KFS-3	8
0.8732 13	50035601 ALUM.	NONE	2.968	.812	2.780		RS-3/16	7
0.8732 12	50035601 ALUM.	NONE	.818				SS-3/8	6
0.8732 11	50035601 ALUM.	NONE	.514				DFS-1/2	5
0.8732 10	DISCONTINUED							
0.8732 09	50042101, BRASS	NI. PL./750874	4.968		3.135		KSS-5	4
0.8732 08	50042101, BRASS	NI. PL./750874	2.968		2.780		KSS-3	4
0.8732 07	50042101, BRASS	NI. PL./750874	.468				FKS-1/2	3
0.8732 06	50042101, BRASS	NI. PL./750874	.258				FKS-1/4	3
0.8732 05	50035601 ALUM.	NONE	4.968	3.135			FS-5	2
0.8732 04	50035601 ALUM.	NONE	2.968	2.760			FS-3	2
0.8732 03	50035601 ALUM.	NONE	4.968				RS-5	1
0.8732 02	50035601 ALUM.	NONE	2.968				RS-3	1
0.8732 01	50035601 ALUM.	NONE	1.968				RS-2	1

DRAWING NO.  
**018732**  
REFERENCE DWG.

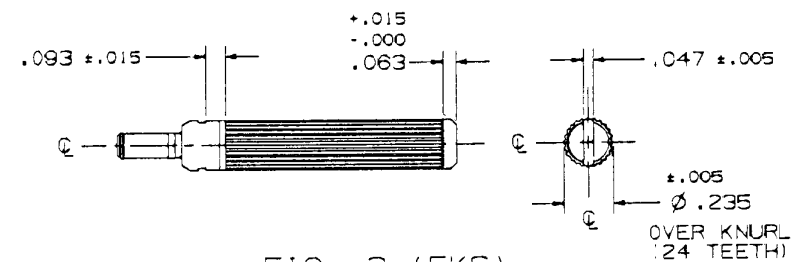


FIG. 3 (FKS)  
(OTHERWISE AS FIG. 1)

OWN. BY A. AVILA	DATE 3/15/98	CLAROSTAT EL PASO, TEXAS
APP. BY	DATE	
DATE 12/14/01	TITLE SHAFT-JOBBER PICK-A	DRAWING NO. <b>018732</b>
SCALE 2:1	FIRST MADE FOR CONTROLS WITH PICK-A-SHAFT	

REV.	DESCRIPTION	EDN	APP. BY
P-00	DWG. REVISION 12/03/01	48757	A.A.

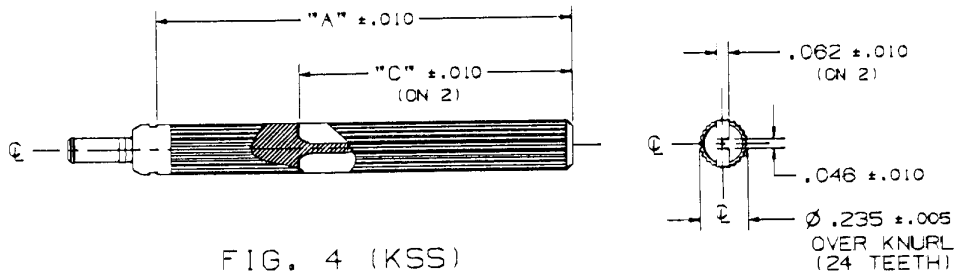


FIG. 4 (KSS)  
(OTHERWISE AS FIG. 1 & FIG. 3)

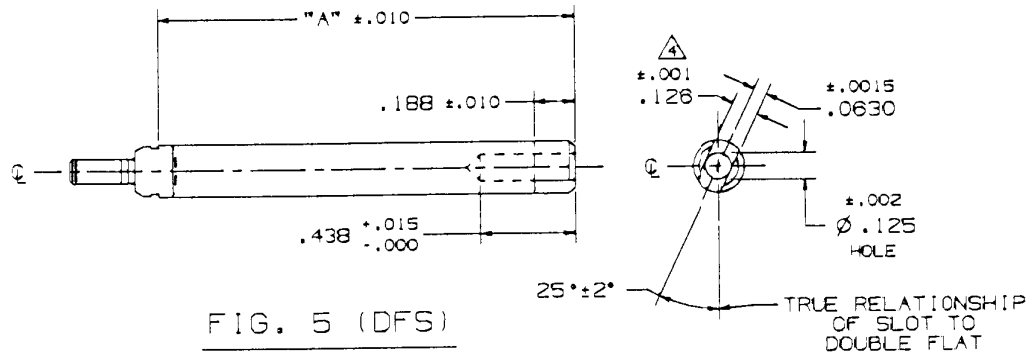


FIG. 5 (DFS)  
(OTHERWISE AS FIG. 1)

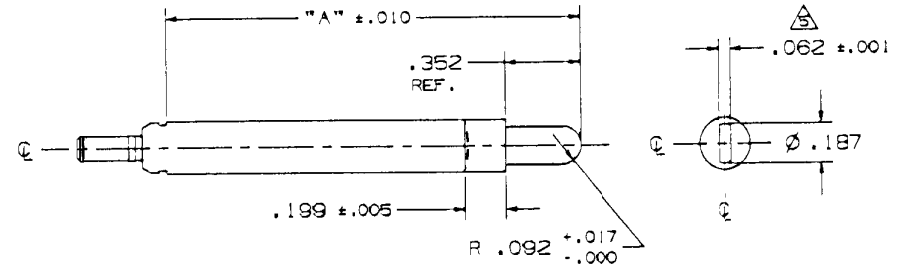


FIG. 6 (SS)  
(OTHERWISE AS FIG. 1)

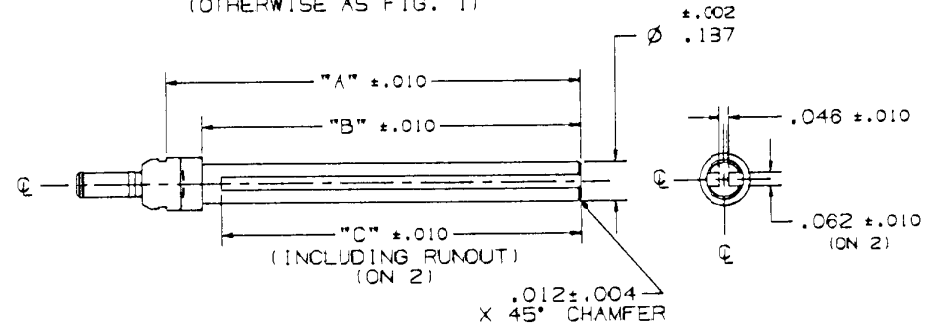


FIG. 7 (RS)  
(OTHERWISE AS FIG. 1)

DRAWING NO.  
**018732**  
REFERENCE DWG.

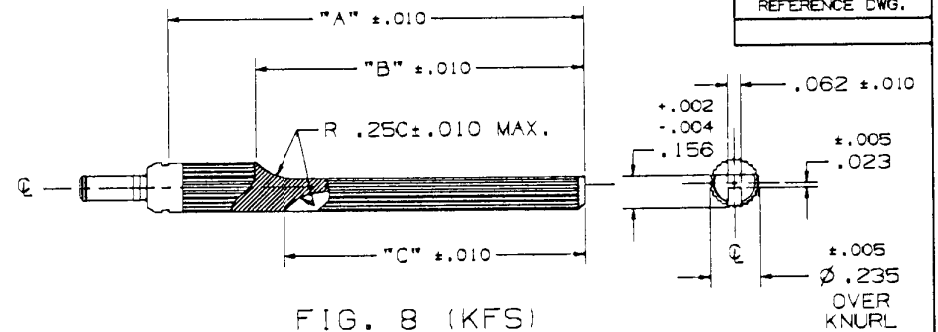


FIG. 8 (KFS)  
(OTHERWISE AS FIG. 1 & FIG. 3)

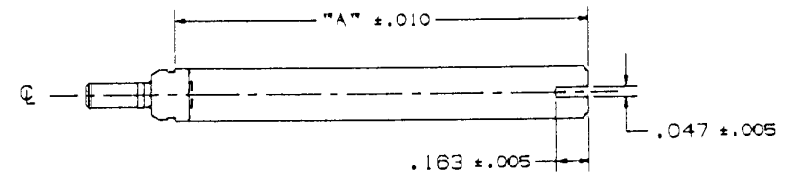


FIG. 9 (RSS)  
(OTHERWISE AS FIG. 1)

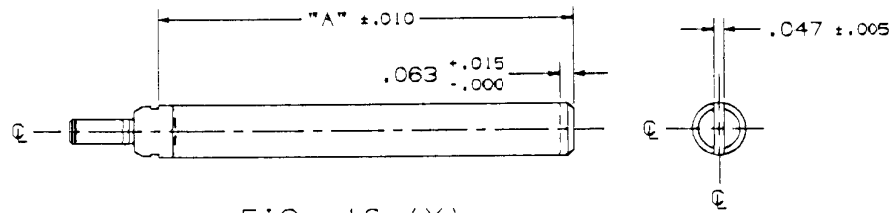
SHEET 2 OF 3

DRAWING NO.  
**018732**

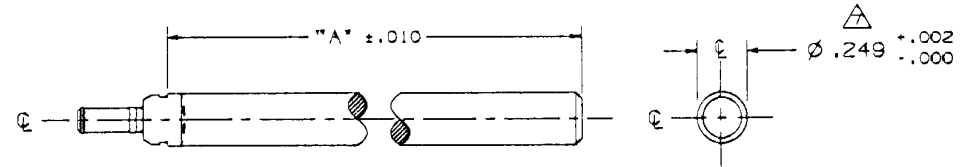
018732	54	50035601 ALUM.	NONE	1.593	-----	-----	-----	SPEC.	1
018732	53	50035601 ALUM.	NONE	.343	-----	-----	-----	SPEC.	10
018732	52	50035601 ALUM.	NONE	8.156	-----	-----	-----	SPEC.	1
018732	51	ASSEMBLY PARTS 01873225 & 01254901	NONE	3.097	-----	-----	-----	RN-3	14
012549	01	50094201 ACETAL.	NONE	N/A	-----	-----	3.032	FOR RN	13
018732	49	50042101, BRASS	NI. PL./750874	1.593	-----	-----	-----	SPEC.	11
018732	48	50042101, BRASS	NI. PL./750874	12.375	-----	-----	-----	SPEC.	11
018732	47	50042101, BRASS	NI. PL./750874	13	-----	-----	-----	SPEC.	11
018732	46	50042101, BRASS	NI. PL./750874	2.593	-----	-----	-----	SPEC.	11
018732	45	50042101, BRASS	NI. PL./750874	15.593	-----	-----	-----	SPEC.	11
018732	44	50042101, BRASS	NI. PL./750874	17.968	-----	-----	-----	SPEC.	11
018732	43	50042101, BRASS	NI. PL./750874	1.343	-----	-----	-----	SPEC.	11
018732	42	50042101, BRASS	NI. PL./750874	1.156	-----	-----	-----	SPEC.	11
018732	41	50042101, BRASS	NI. PL./750874	.843	-----	-----	-----	SPEC.	11
018732	40	50042101, BRASS	NI. PL./750874	.718	-----	-----	-----	SPEC.	11
018732	39	50042101, BRASS	NI. PL./750874	.593	-----	-----	-----	SPEC.	11
018732	38	50042101, BRASS	NI. PL./750874	.343	-----	-----	-----	SPEC.	11
018732	37	50035601 ALUM.	NONE	2.500	-----	-----	-----	SPEC.	1
018732	36	50035601 ALUM.	NONE	2.500	-----	-----	-----	FOR OPT. 37	52
018732	35	50035601 ALUM.	NONE	.825	-----	-----	-----	FOR OPT. 32	52
018732	34	50035601 ALUM.	NONE	.375	-----	-----	-----	FOR OPT'S 30 & 31	52
018732	33	DISCONTINUED							
018732	32	50035601 ALUM.	NONE	.825	.375	-----	-----	SPEC.	2
018732	31	50035601 ALUM.	NONE	.375	.281	-----	-----	SPEC.	2
018732	30	50035601 ALUM.	NONE	.375	-----	-----	-----	SPEC.	1
018732	29	50042101, BRASS	NI. PL./750874	.968	-----	-----	-----	FKS-1	3
018732	28	50035601 ALUM.	NI. PL./750874	2.968	2.812	-----	-----	FOR OPT. 13	57
PART NO.		MATERIAL	FINISH	DIM. "A"	DIM. "B"	DIM. "C"	DIM. "D"	TYPE	FIG.

REV.	DESCRIPTION	EN	APP. BY
P-00	DWG. REVISION 12/03/01	48757	A.A.

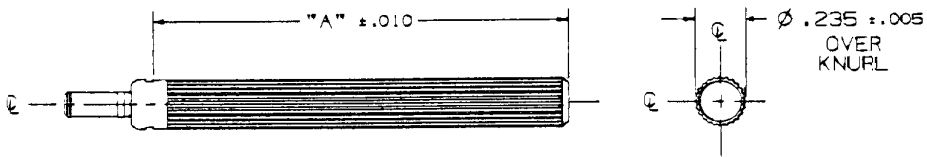
DRAWING NO.  
**018732**  
REFERENCE DWG.



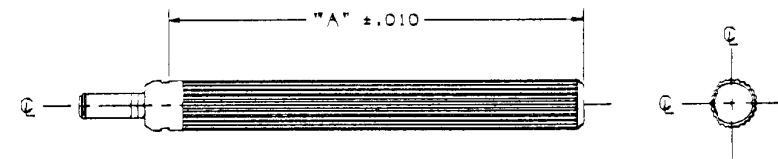
**FIG. 10 (X)**  
(OTHERWISE AS FIG. 1)



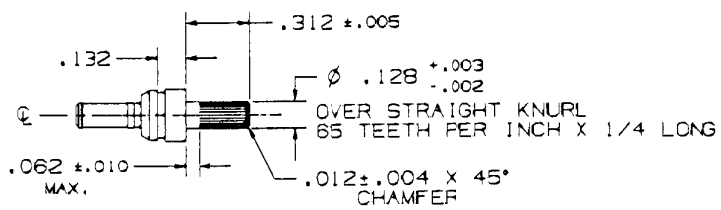
**FIG. 52**  
(OTHERWISE AS FIG. 1)



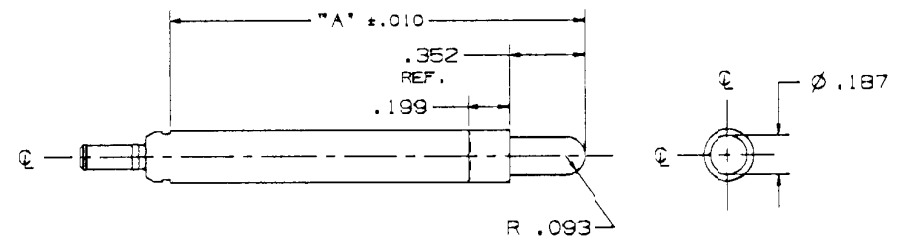
**FIG. 11 (SPEC.)**  
(OTHERWISE AS FIG. 1 & FIG. 3)



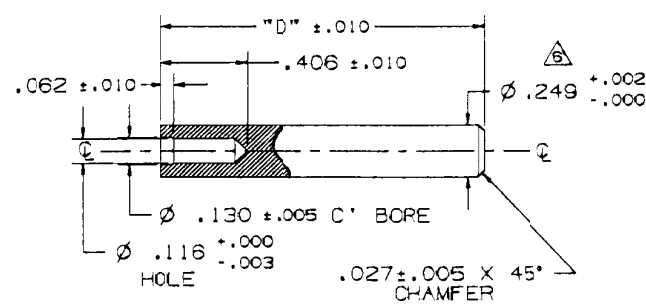
**FIG. 53**  
(OTHERWISE AS FIG. 1 & FIG. 3)



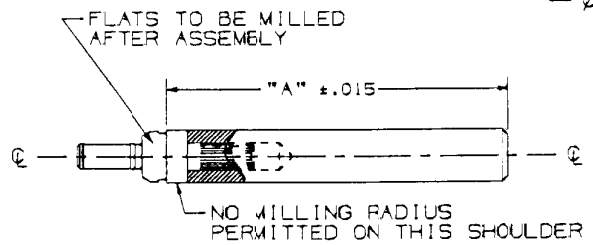
**FIG. 12 (FOR RN)**  
(OTHERWISE AS FIG. 1)



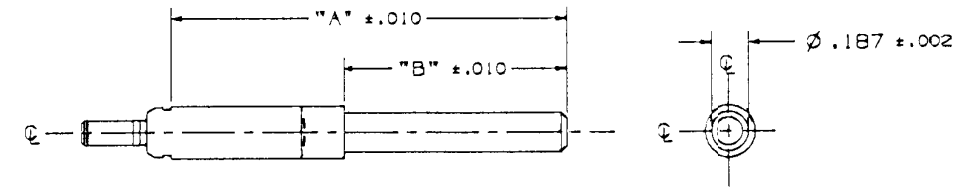
**FIG. 56**  
(OTHERWISE AS FIG. 1)



**FIG. 13 (FOR RN)**



**FIG. 14 (RN)**  
(OTHERWISE AS FIG. 1)



**FIG. 57**  
(OTHERWISE AS FIG. 1)

DRAWING NO.  
**018732**