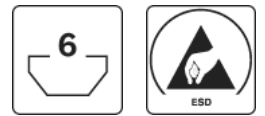


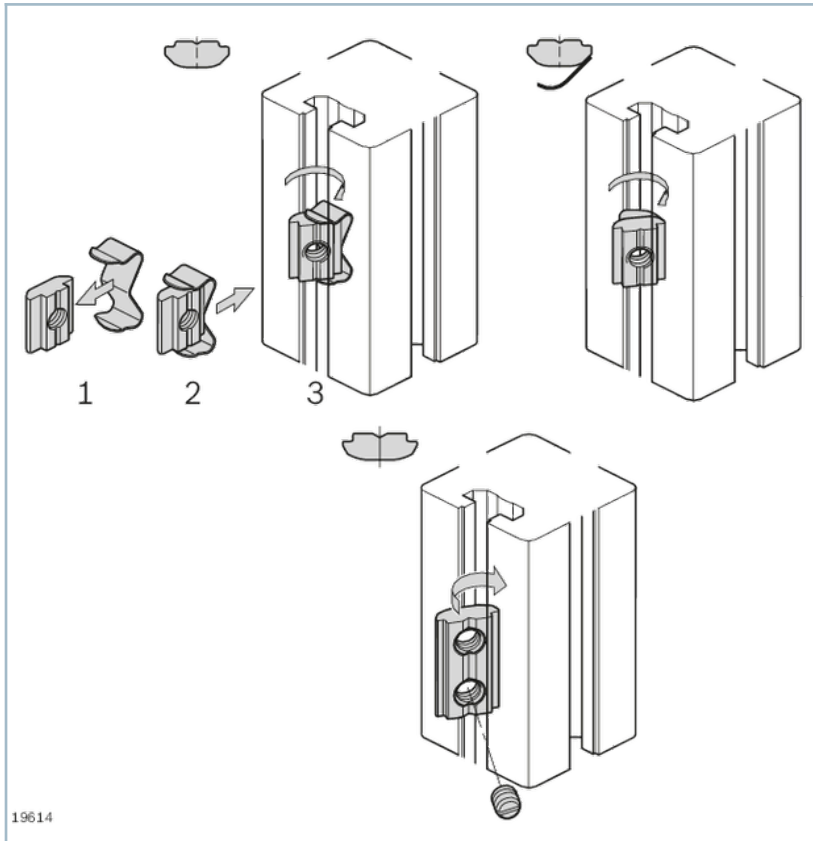
## Sliding block, sliding block profile, swivel-in, slot 6



- Swivel-in sliding block profile for self-assembly of individual fastening elements
- The swivel-in sliding block for inserting directly at the installation position for really easy assembly
- The swivel-in sliding block with spring can be inserted directly at the assembly point and fixed in position thanks to attached springs
- The swivel-in sliding block with headless setscrews permits shake-proof fixing in all positions

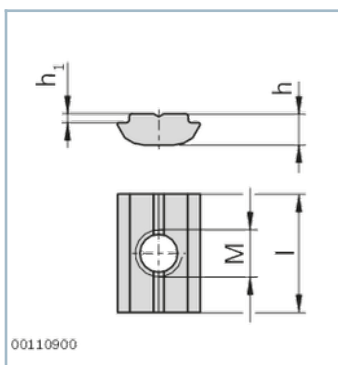
- Profile finishing: not required

## Product description

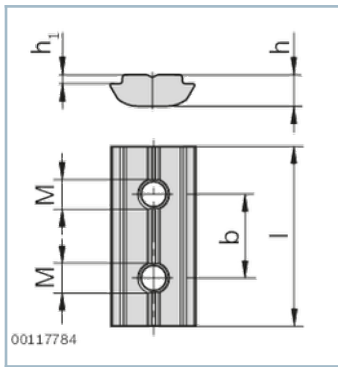


## Dimensions

### Sliding block, swivel-in



## Sliding block, swivel-in, with headless setscrew





## Accessories

Required accessories

Spring

## Ordering codes

	Groove	b	h	h <sub>1</sub>	l	ESD	No.
		mm	mm	mm	mm		
Sliding block, swivel-in N6 steel, stainless, M3	6		3	0.9	12		3842547826
Sliding block, swivel-in N6 steel, stainless, M4	6		3	0.9	12		3842536669
Sliding block, swivel-in N6 steel, stainless, M5	6		3	0.9	12		3842547825
Sliding block, swivel-in, with N6 steel headless setscrew, stainless	6	8	3	0.9	15		3842536673