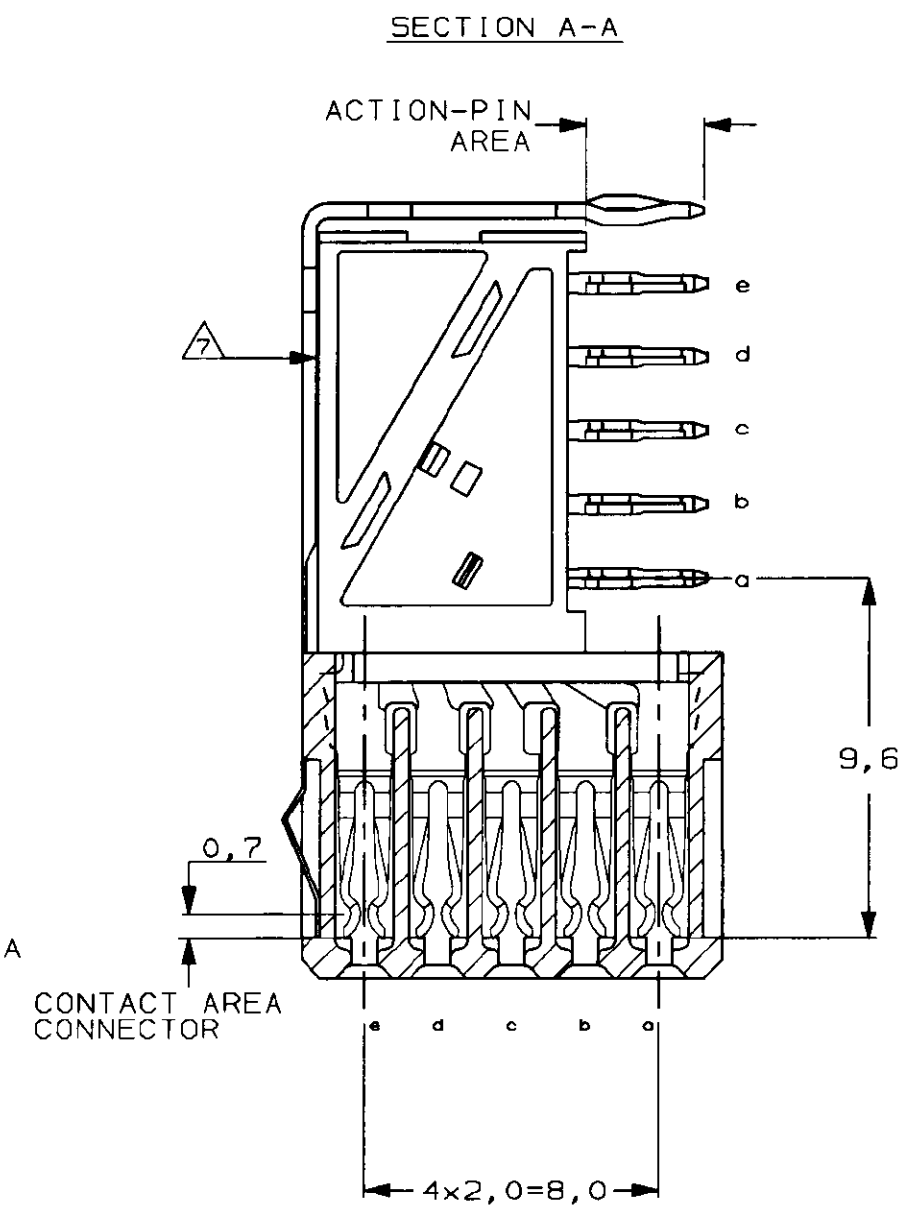
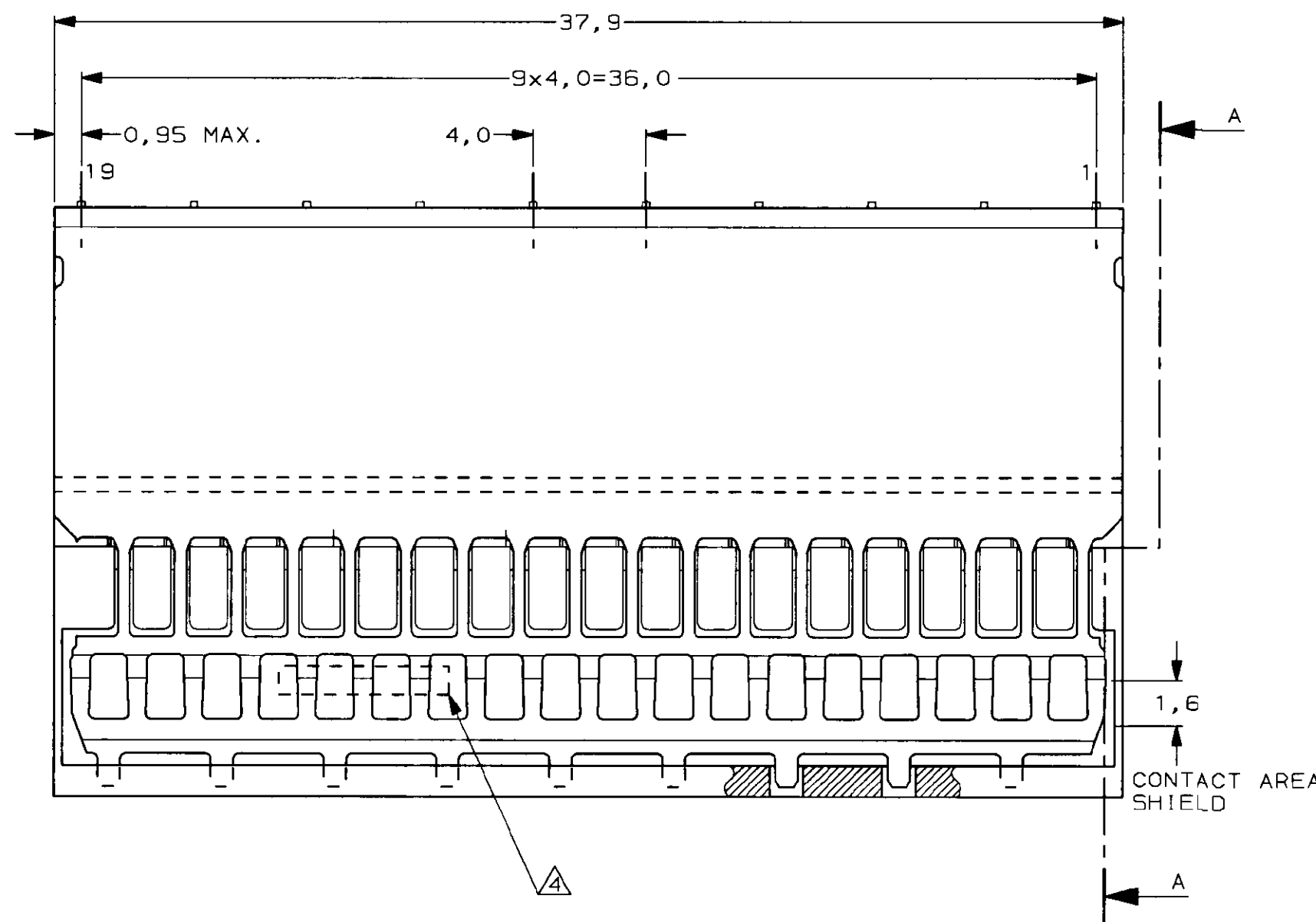


DO NOT SCALE
DIMENSIONS IN mm

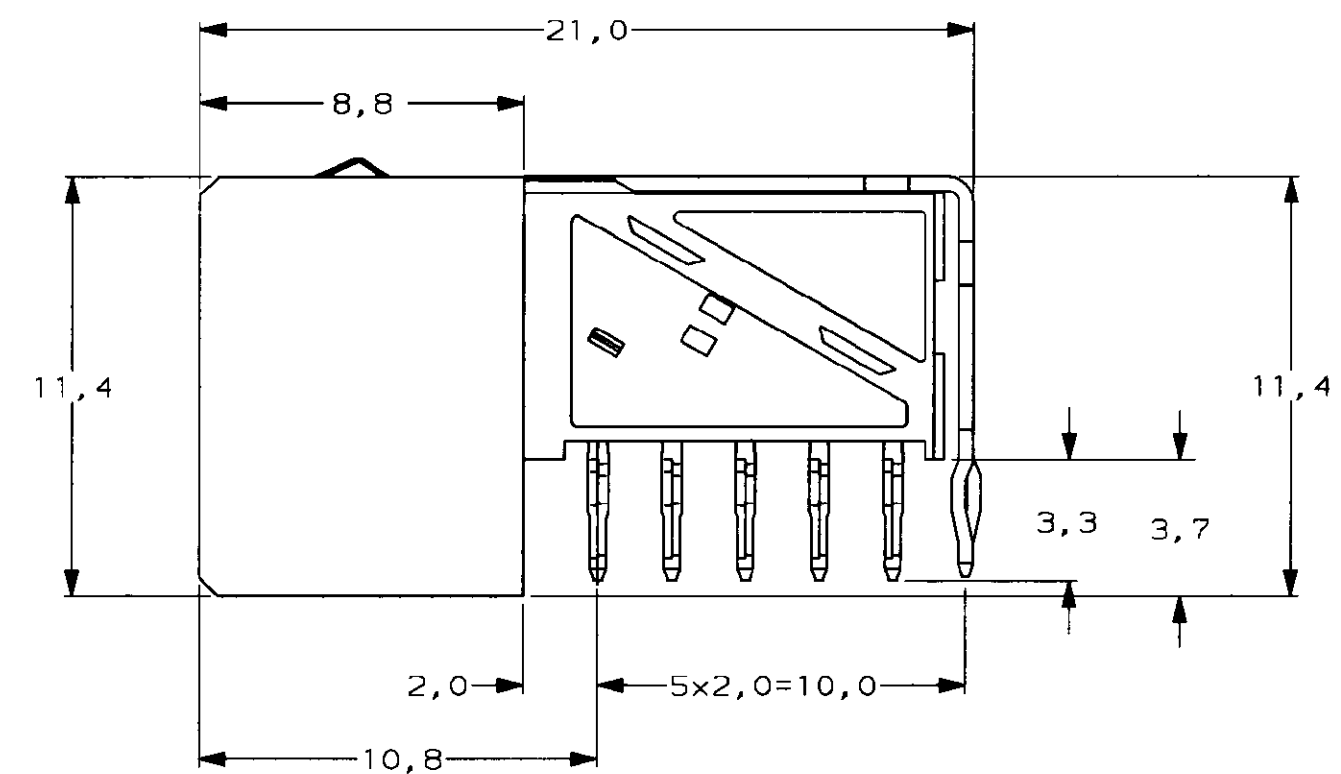
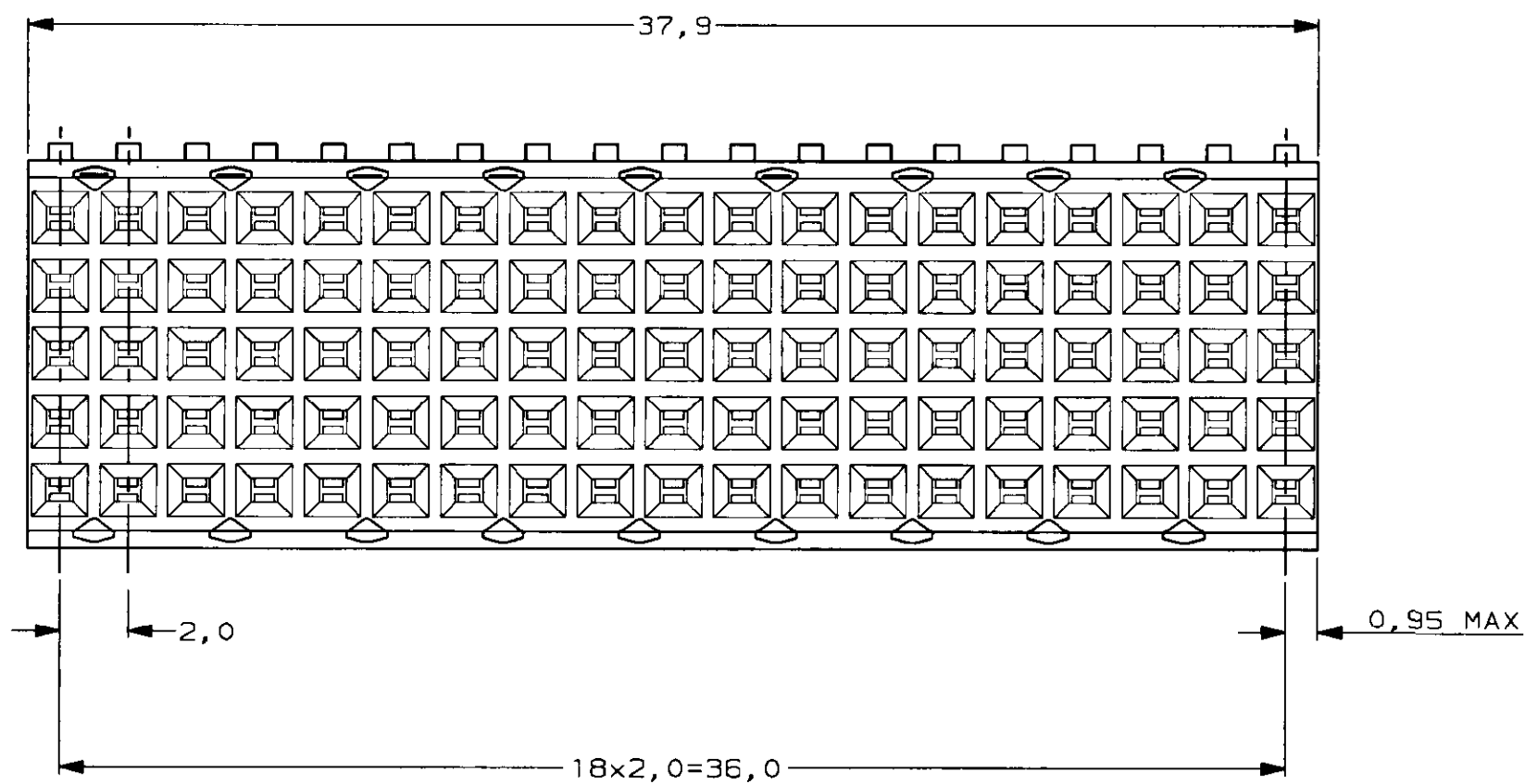
METRIC

THIRD ANGLE
PROJECTION

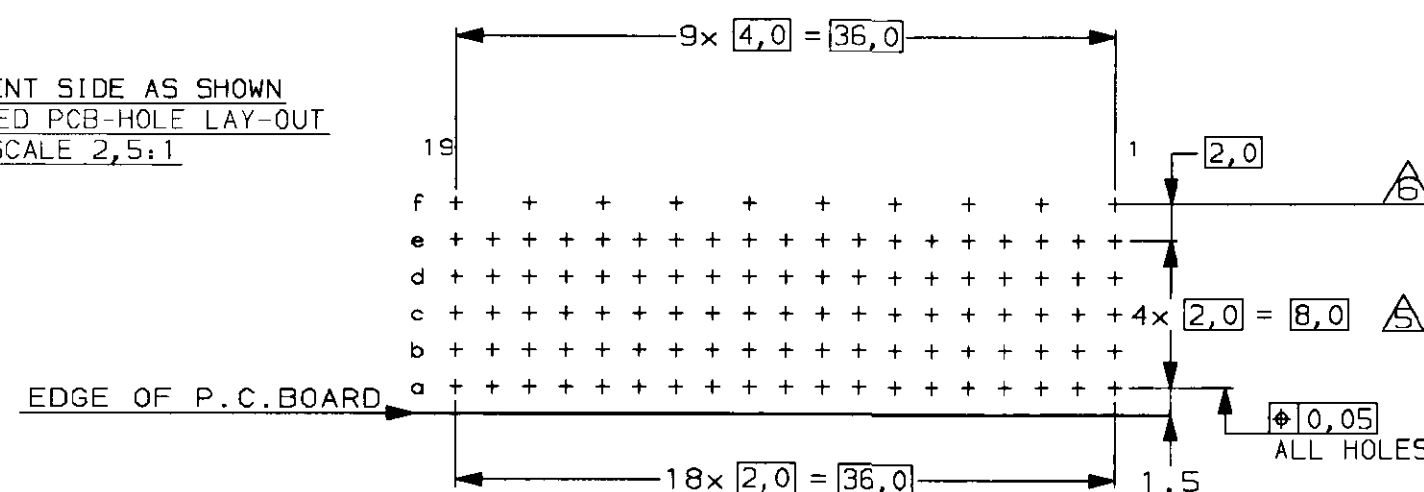


NOTES:

- ⚠ PLATING CONNECTOR:
CONTACT AREA: 0,8µm Au MIN. OVER 1,3µm Ni MIN.
ACTION PIN : 0,5µm SnPb MIN. OVER 1,3µm Ni MIN.
- ⚠ PLATING SHIELD:
CONTACT AREA: 0,8µm Au MIN.
ACTION PIN : 0,5µm SnPb MIN.
REMAINDER : Ni FLASH
- ⚠ MATERIAL CONTACTS: PHOSPHORBRONZE
- ⚠ MATERIAL HOUSING;
GLASSFILLED POLYESTER UL-RATING 94V0 (GRAY)
- ⚠ CONNECTOR PRINTED WITH PARTNUMBER AND DATECODE
- ⚠ HOLE PATTERN FOR FEMALE CONNECTOR
95 PLATED-THROUGH HOLES AT 2X2mm SQUARE GRID
- ⚠ ROW "F" 10 PLATED THROUGH HOLES FOR UPERSHIELD
- ⚠ SHIELD MOUNTED ON CONNECTOR WITH DOUBLE SIDED ADHESIVE TAPE
- 8 BASIC P.N. LOWERSHIELD: 352029



COMPONENT SIDE AS SHOWN
RECOMMENDED PCB-HOLE LAY-OUT
SCALE 2,5:1



P.C.B. HOLE DIM. ACTION PIN	
DRILLED HOLE:	0,7±0,025mm
FIN. HOLE	: 0,55 TO 0,65mm
Cu-thks	: 0,025 TO 0,050mm
SnPb-thks	: 0,004 TO 0,010mm

THIS DRAWING IS
PRELIMINARY

FINISH	MATERIAL	PARTNUMBER
		352171-1
CUSTOMER DRAWING FOR REFERENCE ONLY WILL NOT BE UPDATED		
© COPYRIGHT 1996 BY AMP-HOLLAND B.V. ALL INTERNATIONAL RIGHTS RESERVED. AMP PRODUCTS MAY BE COVERED BY U.S. AND FOREIGN AND/OR PATENTS PENDING. THIS DRAWING IS UNPUBLISHED RELEASED FOR PUBLICATION		
AMP		AMP-HOLLAND B.V. 's-Hertogenbosch, The Netherlands.
NAME		Z-PACK 2mm HM 95 POS. WITH INTEGRATED GROUND RETURN UPERSHIELD (19 COLUMNS)
0	EH-0196-96	EM WvdH 28-JAN-97
LTR.	REVISION RECORD	DR. CHK. DATE
DR. E. MÖHLMANN	CHK. W. V. D. HEIJDEN	APP. B. MOOIJ
DATE: 28-JAN-97	DATE: 29-JAN-97	DATE:
DWG. No.	REV. LTR.	SHEET
C-352171	0	1 OF 1