

1

2

3

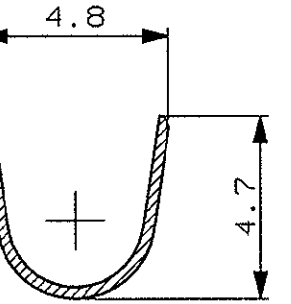
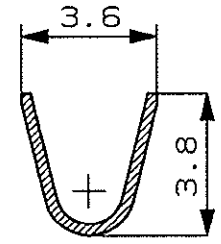
4

SCALA NON IMPEGNATIVA
(DO NOT SCALE)
DIMENSIONI IN mm
(DIMENSIONS IN)

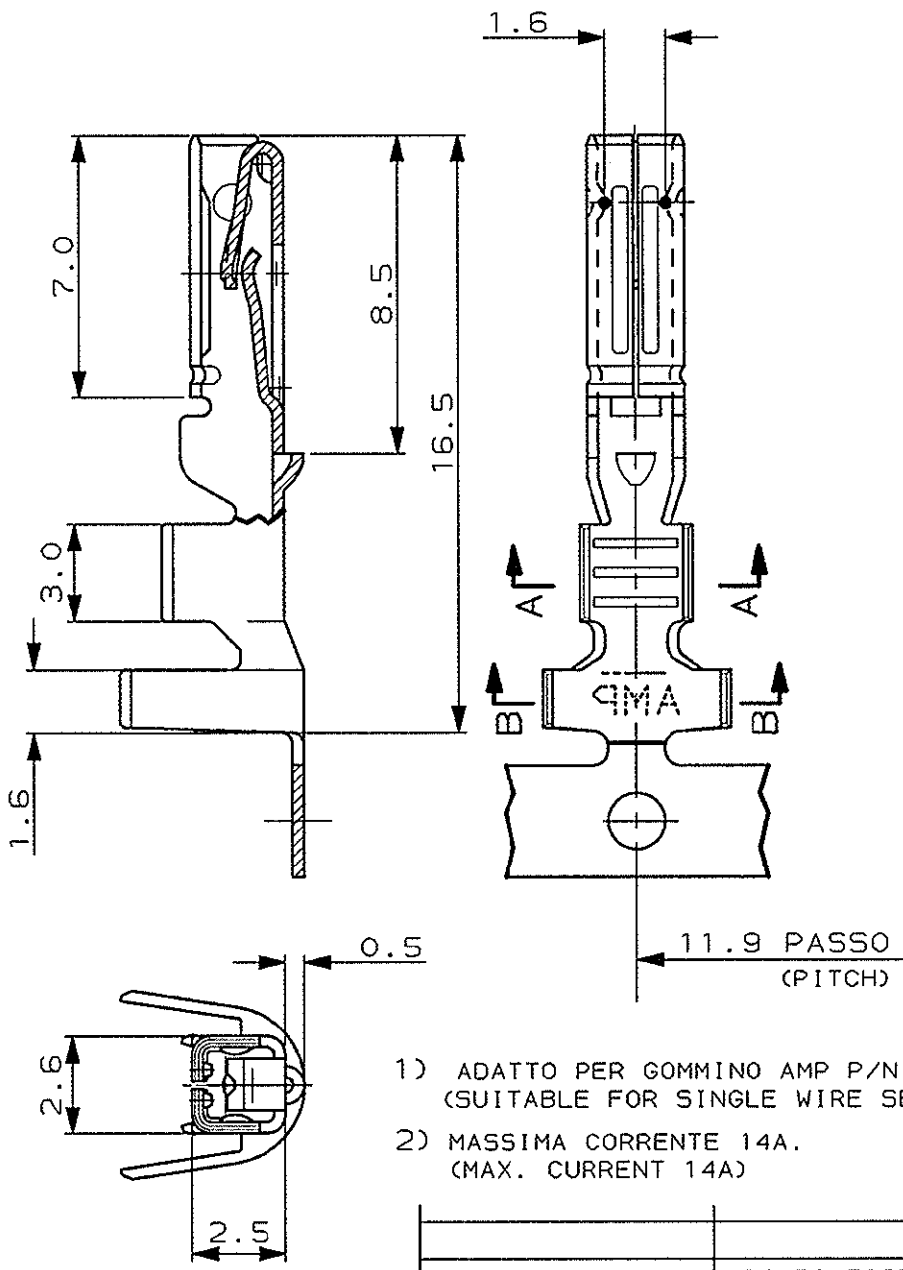
METRIC

PROIEZIONE EUROPEA
(EUROPEAN PROJECTION)

PART. SECT. A-A



PART. SECT. B-B



- 1) ADATTO PER GOMMINO AMP P/N 281934-...
(SUITABLE FOR SINGLE WIRE SEAL AMP P/N 281934-...)
- 2) MASSIMA CORRENTE 14A.
(MAX. CURRENT 14A)

PRE STAGNATO (PRE-TINNED)	BRONZO FOSFOROSO (PH. BRONZE)	282466-1
FINITURA / COLORE (FINISH / COLOUR)	MATERIALE (MATERIAL)	NUMERO (PART NUMBER)
CUSTOMER DWG. FOR REFERENCE ONLY		DISEGNO PER CLIENTE SOLO PER RIFERIMENTO
THIS DRAWING IS UNPUBLISHED		RELEASE FOR PUBLICATION 1990
© COPYRIGHT 1990 BY AMP INCORPORATED, HARRISBURG, PA. ALL INTERNATIONAL RIGHT RESERVED. AMP PRODUCTS MAY BE COVERED BY U.S. AND FOREIGN PATENT AND/OR PATENT PENDING		
TOLLERANZE, SE NON DIVERSAMENTE SPECIFICATO (TOLERANCES, UNLESS OTHERWISE SPECIFIED)	DIAM. ISOLANTE (INS. DIA. RANGE) VED. NOTA 1) (SEE NOTE 1))	RANGO FILO (WIRE RANGE) 1.5-2.5mm ²
± 0.3	SCALA (SCALE) 5:1	
ANGOLI (ANGLES) ± 2°	tyco Electronics AMP ITALIA S.p.A. Corso F.LLI Cervi, 15 COLLEGNO (TORINO)	
DIS. (DR.)	12 DIC. '92	DESCRIZIONE (DESCRIPTION)
BERTINI	12 DEC '92	MINI MIC SRS REC. CONTACT
CONT. (CHK)	A. BRUNI	LOC. SIZE NUMERO (DWG NO)
APP. (APP.)		I A4 C-282466
REV. (REV.)	REVISIONI (REVISION RECORD)	REV. FOGLIO (SHEET)
		A2 1 DI (OF) 1

DISTRIBUZIONE (PRINT DIST.)	A2	REVISED FOR ET00-0024-04	M.G.	12 APR 2004
	A1	REVISED FOR ET00-0072-98	M.P.	07 APR '98
	A	RELEASED FOR PROD. (EC. 133-93)	C.P.	16 NOV '93
	REV.	REVISIONI (REVISION RECORD)	DIS. DATA (DR) (DATE)	