


**Ordering number FA11902\_TINA3-W**

Family	Tina3	FWHM	(simulated) 20
Type	Assembly	Efficiency	-
LED	Oslon SSL 80	cd/lm	-
Color	White	Gerber File	Available
Diameter	16.1 mm		
Height	7.3 mm		
Style	Round		
Optic Material	PMMA		
Holder Material	PC		
Fastening	Pin, tape		
Status	On production		


**Ordering number FA11905\_TINA3-S**

Family	Tina3	FWHM	11 degrees
Type	Assembly	Efficiency	86 %
LED	Oslon SSL 80	cd/lm	14.000
Color	White	Gerber File	Available
Diameter	16.1 mm		
Height	11.4 mm		
Style	Round		
Optic Material	PMMA		
Holder Material	PC		
Fastening	Pin, tape		
Status	On production		


**Ordering number FA11824\_TINA3-W**

Family	Tina3	FWHM	36 degrees
Type	Assembly	Efficiency	91 %
LED	Oslon SSL 80	cd/lm	1.940
Color	White	Gerber File	Available
Diameter	16.1 mm		
Height	6.9 mm		
Style	Round		
Optic Material	PMMA		
Holder Material	PC		
Fastening	Pin, tape		
Status	On production		


**Ordering number FA11870\_TINA3-OO**

Family	Tina3	FWHM	36+52 degrees
Type	Assembly	Efficiency	88 %
LED	Oslon SSL 80	cd/lm	1.380
Color	White	Gerber File	Available
Diameter	16.3 mm		
Height	6.9 mm		
Style	Round		
Optic Material	PMMA		
Holder Material	PC		
Fastening	Pin, tape		
Status	On production		

**Ordering number FA11825\_TINA3-WW**

Family	Tina3	FWHM	51 degrees
Type	Assembly	Efficiency	89 %
LED	Oslon SSL 80	cd/lm	1.200
Color	White	Gerber File	Available
Diameter	16.1 mm		
Height	6.9 mm		
Style	Round		
Optic Material	PMMA		
Holder Material	PC		
Fastening	Pin, tape		
Status	On production		

**Ordering number FA11826\_TINA3-WWW**

Family	Tina3	FWHM	69 degrees
Type	Assembly	Efficiency	88 %
LED	Oslon SSL 80	cd/lm	0.700
Color	White	Gerber File	Available
Diameter	16.1 mm		
Height	6.9 mm		
Style	Round		
Optic Material	PMMA		
Holder Material	PC		
Fastening	Pin, tape		
Status	On production		

**NOTE: The typical divergence will be changed by different color, chip size and chip position tolerance. The typical total divergence is the full angle measured where the luminous intensity is half of the peak value.**



## PRODUCT DATASHEET

### Tina3 series

last update 27/6/2013



#### GENERAL INFORMATION

- Product series especially designed & optimized for Oslon SSL 80 series of LEDs.
- Special care taken to make light distribution as uniform as possible.
- Lens material optical grade PMMA with high UV and temperature resistance. Allows use of high current and temperature conditions.

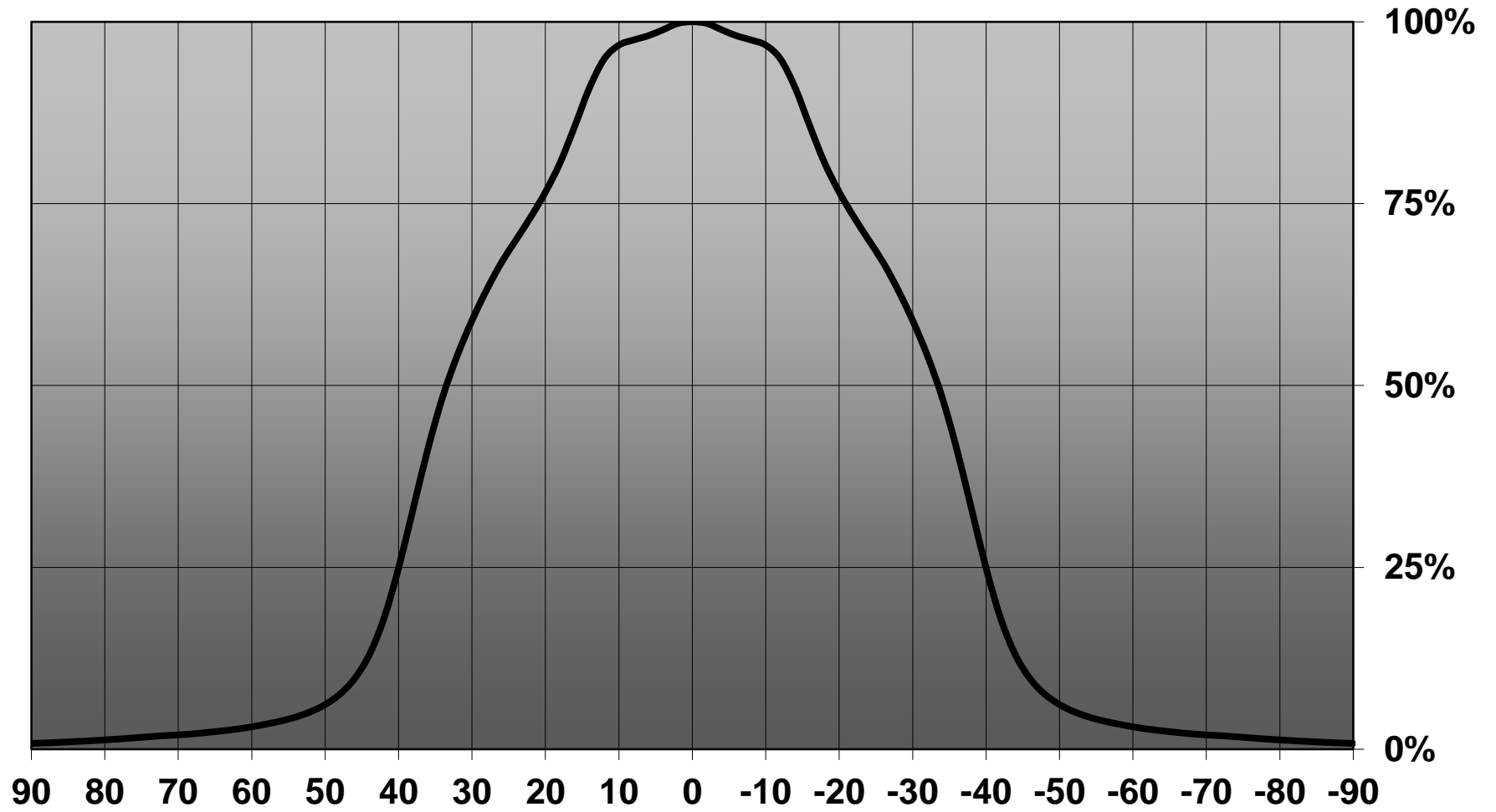
Please find more information about used material from below:

[http://ledil.fi/sites/default/files/Documents/Technical/Material/PMMA%20N%20UL94\\_Yellow%20Card.pdf](http://ledil.fi/sites/default/files/Documents/Technical/Material/PMMA%20N%20UL94_Yellow%20Card.pdf)

<http://ledil.fi/sites/default/files/Documents/Technical/Material/PMMA%20N%20PLEXIGLAS-Datasheet.pdf>

- Optic holder molded by high quality PC material (120 degrees of Celcius / 248 degrees of Fahrenheit).

Relative intensity of FA11826\_Tina3-WWW-OSL



D

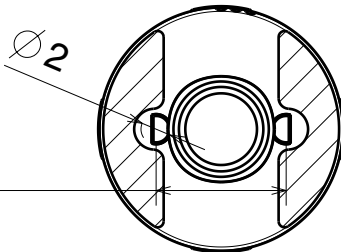
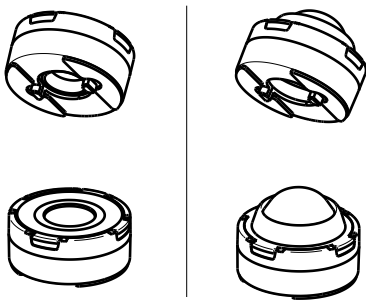
C

B

A

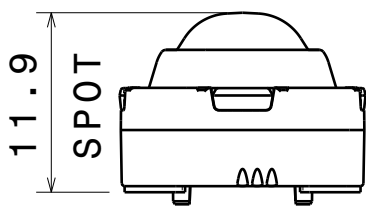
4

4

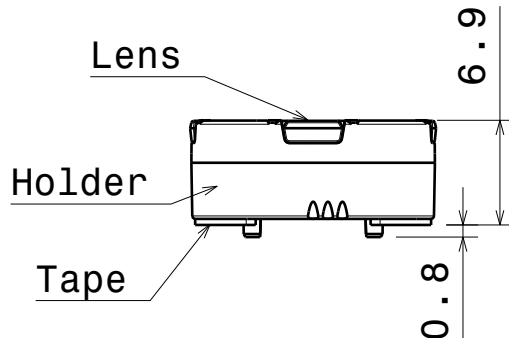


3

3



FA11905

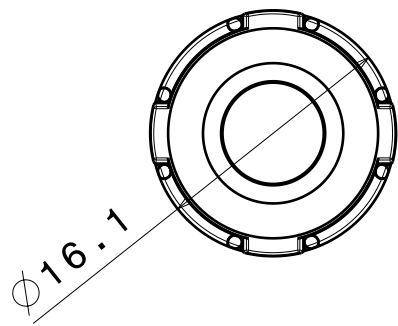


2

2

MATERIALS  
 Lens: PMMA  
 Holder: PC  
 Tape: PU Foam

Part no.s:  
 FA11824\_Tina3-W-XP  
 FA11825\_Tina3-WW-XP  
 FA11826\_Tina3-WWW-XP  
 FA11905\_Tina3-S-XP  
 FA11870\_Tina3-00-XP



This drawing is our property.  
 It can't be reproduced  
 or communicated without  
 our written agreement.



L  
T  
F  
F  
e  
e  
i  
i  
N  
n

DRAWING TITLE

Datasheet Tina3-series Assy XP

DRAWN BY  
p

DATE  
18.10.2010

CHECKED BY  
h

DATE  
14.10.2010

DESIGNED BY  
pv

DATE  
13.10.2010

SIZE  
A4

DRAWING NUMBER  
-

REV  
1

SCALE

2:1

WEIGHT (g)

-

SHEET

1/1

D

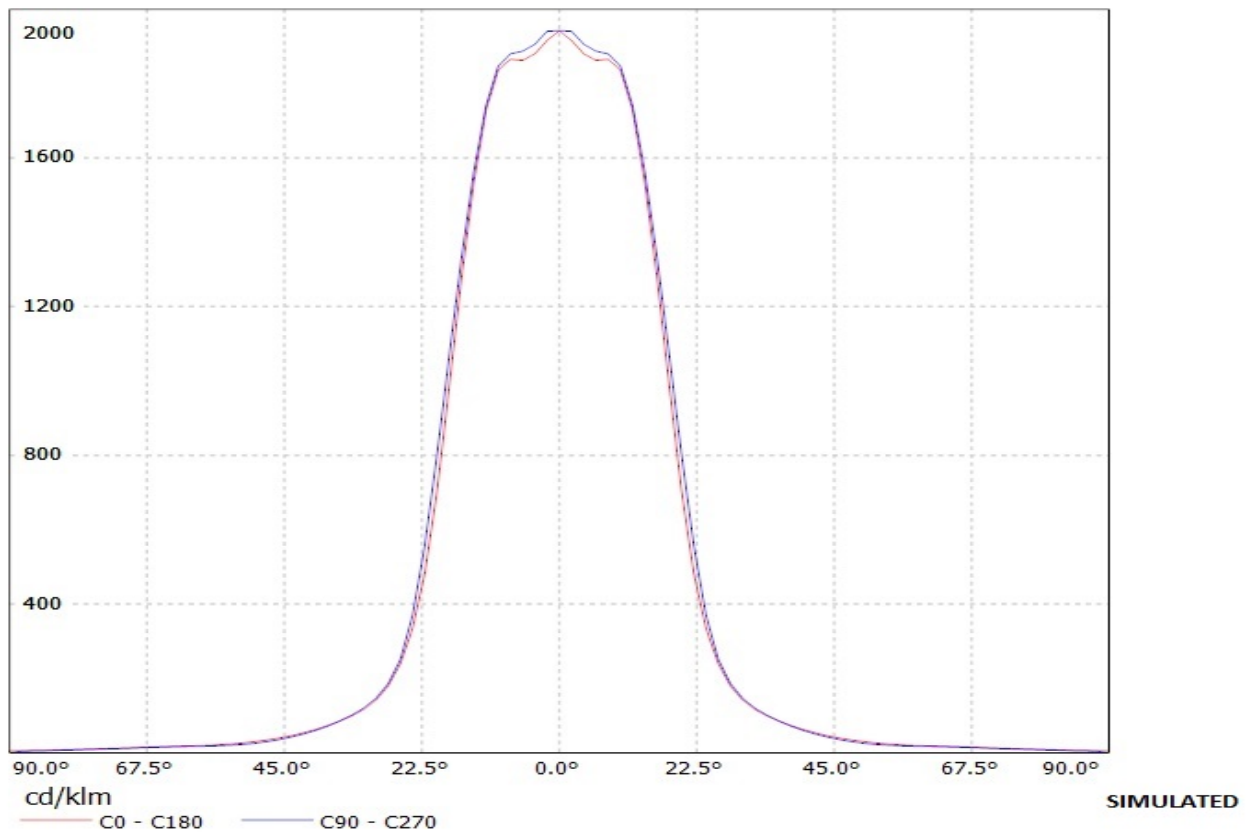
A

1

1

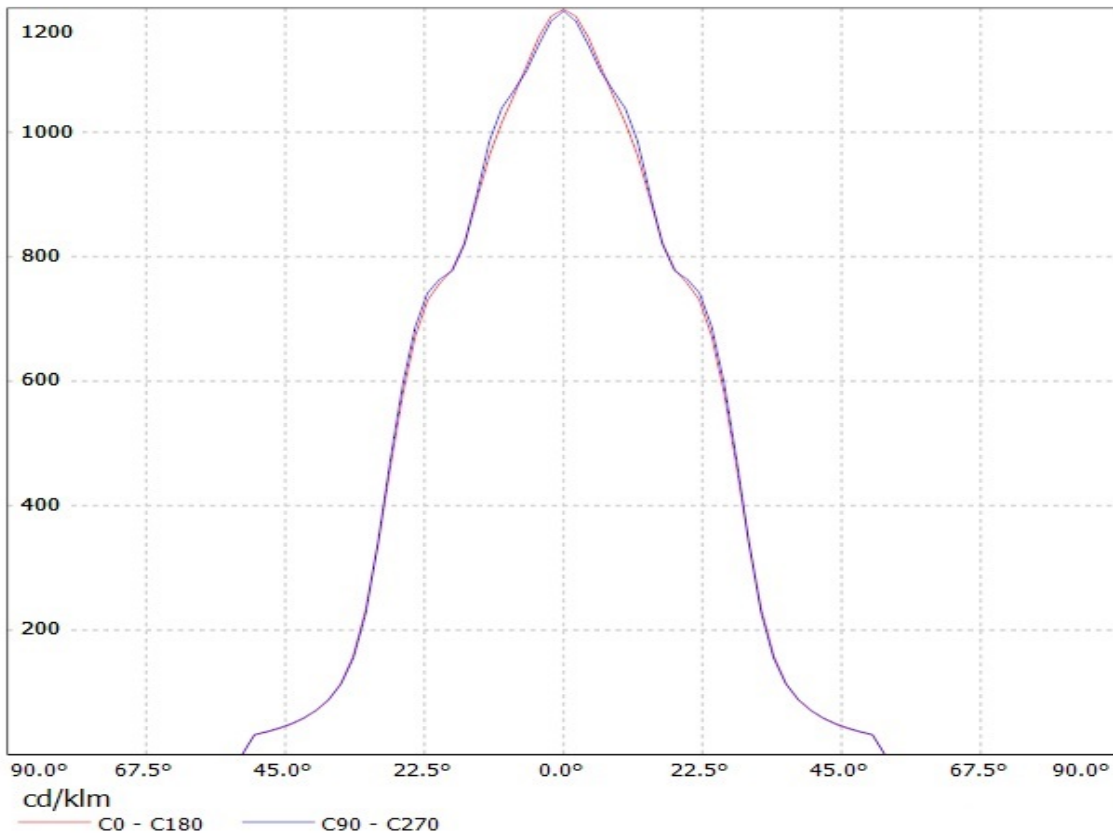
**Ledil Oy FA11824\_Tina3-W-OSL80 Osram Oslon 80° (white) 85lm @ 250mA FA11824\_Tina3-W-OSL80 / LDC (Linear)**

Luminaire: Ledil Oy FA11824\_Tina3-W-OSL80 Osram Oslon 80° (white) 85lm @ 250mA FA11824\_Tina3-W-OSL80  
Lamps: 1 x Osram Oslon 80° (white) 85lm @ 250mA



# Ledil Oy FA11825\_Tina3-WW-OSL FA11825\_Tina3-WW-OSL / LDC (Linear)

Luminaire: Ledil Oy FA11825\_Tina3-WW-OSL FA11825\_Tina3-WW-OSL  
Lamps: 1 x Osram Oslon 80 deg (white)

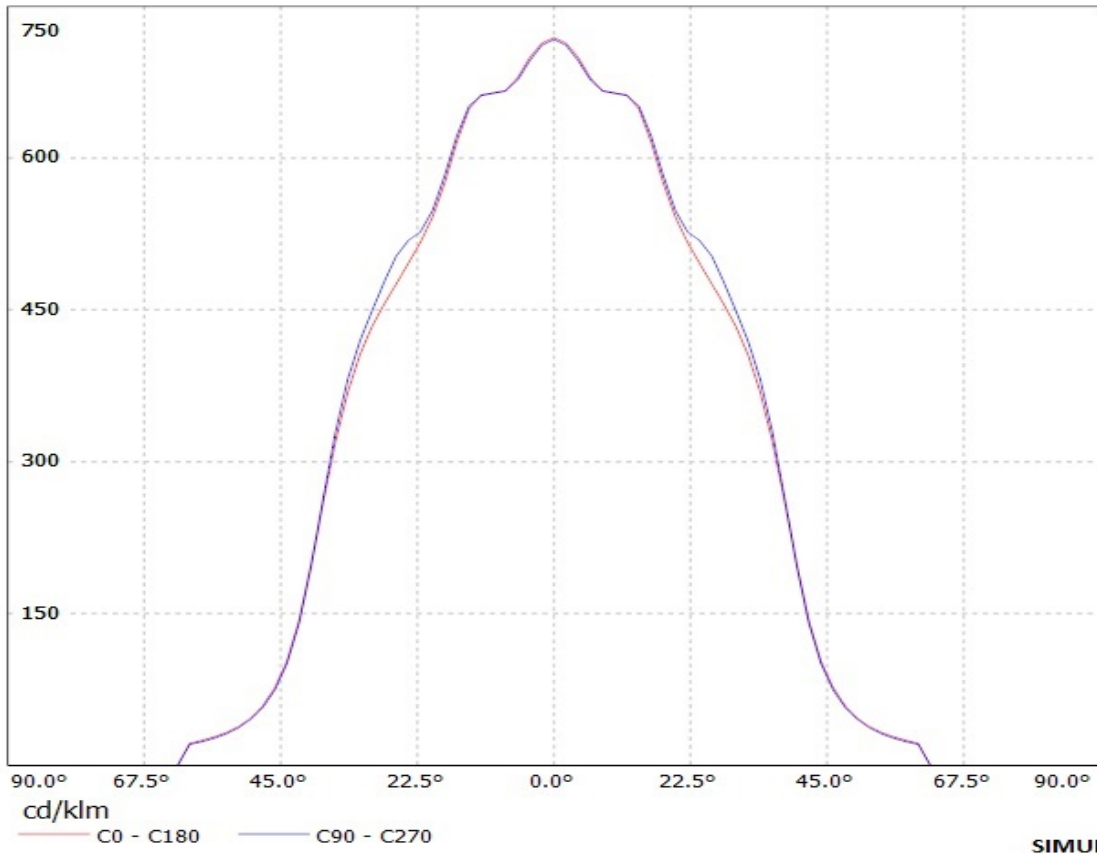


**SIMULATED**

# Ledil Oy FA11826\_Tina3-WWW-OSL FA11826\_Tina3-WWW-OSL / LDC (Linear)

Luminaire: Ledil Oy FA11826\_Tina3-WWW-OSL FA11826\_Tina3-WWW-OSL

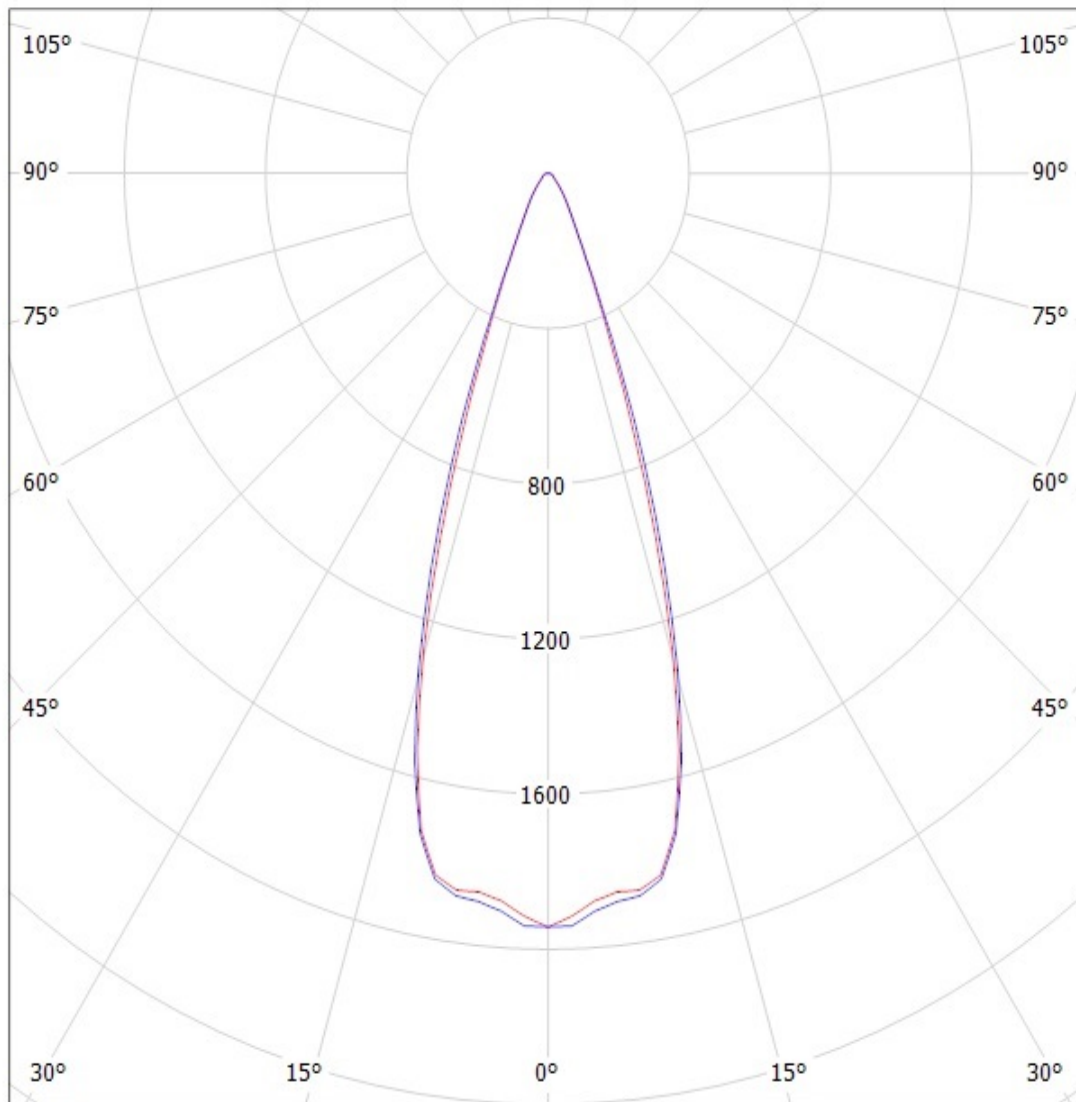
Lamps: 1 x Osram Oslon 80ø (white)





Ledil Oy FA11824\_Tina3-W-OSL80 Osram Oslon 80° (white) 85lm @ 250mA FA11824\_Tina3-W-OSL80 / LDC (Polar)

Luminaire: Ledil Oy FA11824\_Tina3-W-OSL80 Osram Oslon 80° (white) 85lm @ 250mA FA11824\_Tina3-W-OSL80  
Lamps: 1 x Osram Oslon 80° (white) 85lm @ 250mA



cd/klm

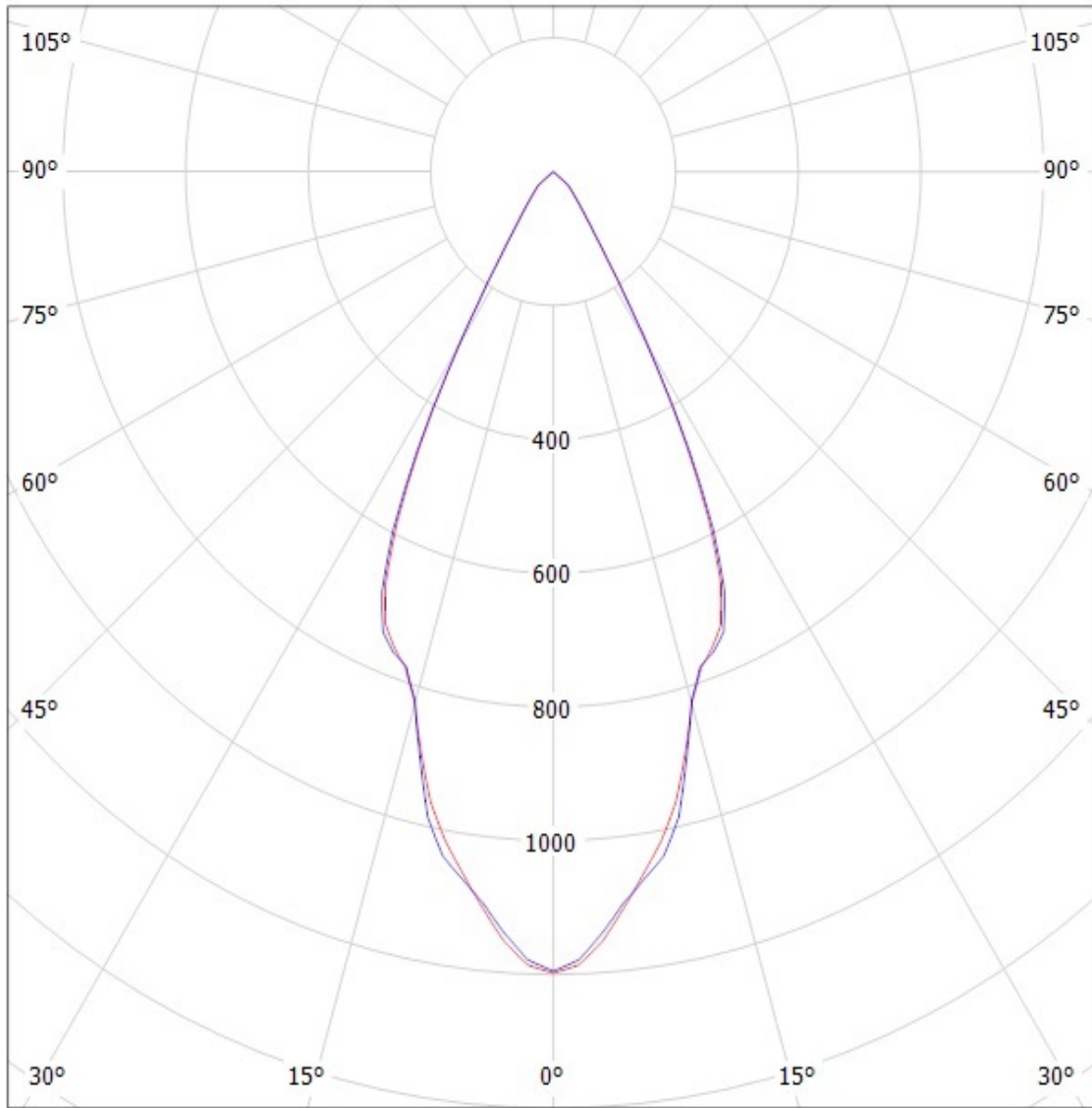
— C0 - C180 — C90 - C270

SIMULATED

# Ledil Oy FA11825\_Tina3-WW-OSL FA11825\_Tina3-WW-OSL / LDC (Polar)

Luminaire: Ledil Oy FA11825\_Tina3-WW-OSL FA11825\_Tina3-WW-OSL

Lamps: 1 x Osram Oslon 80 deg (white)



cd/klm

— C0 - C180

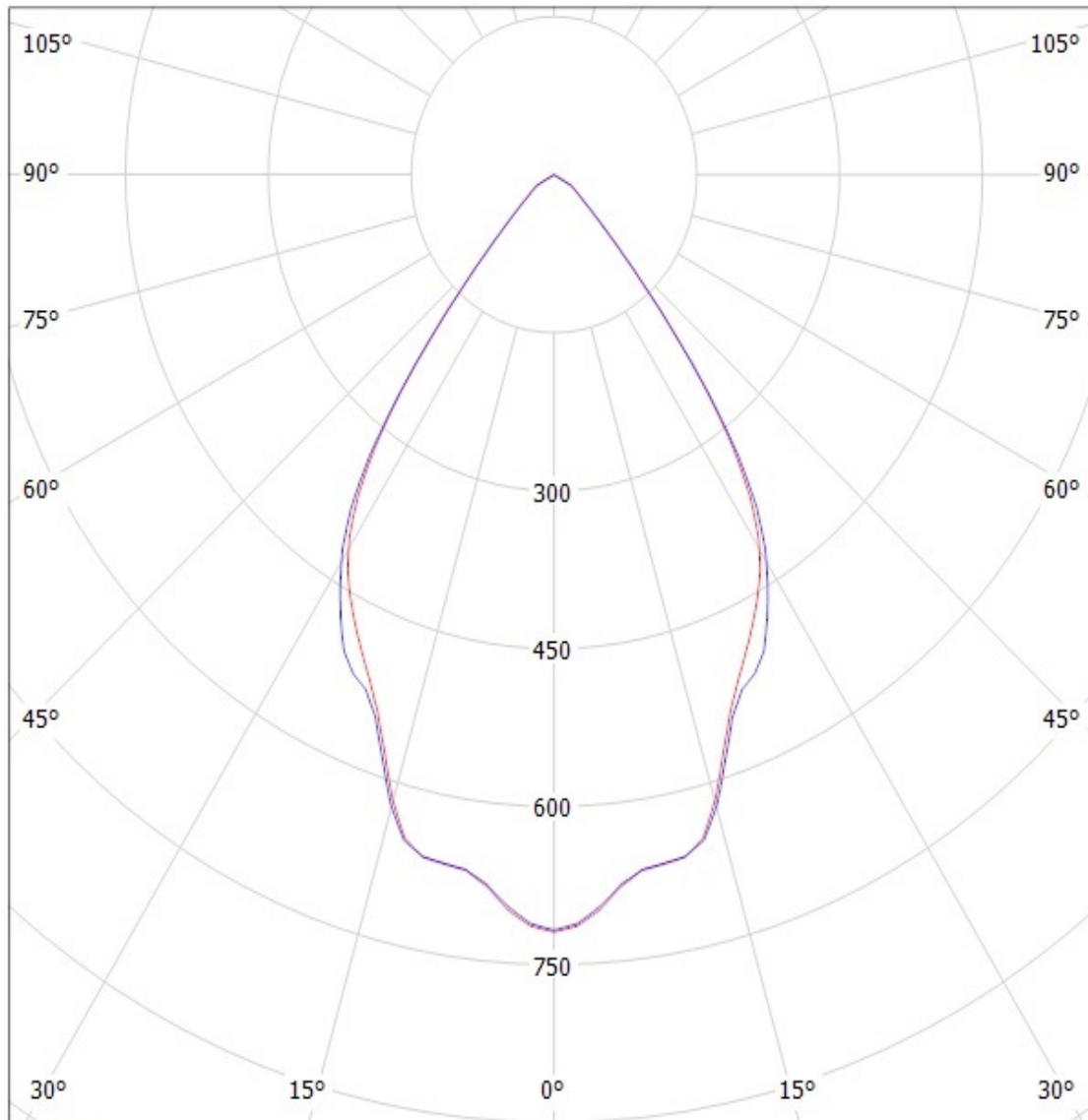
— C90 - C270

SIMULATED

# Ledil Oy FA11826\_Tina3-WWW-OSL FA11826\_Tina3-WWW-OSL / LDC (Polar)

Luminaire: Ledil Oy FA11826\_Tina3-WWW-OSL FA11826\_Tina3-WWW-OSL

Lamps: 1 x Osram Oslon 80ø (white)



cd/klm

— C0 - C180

— C90 - C270

**SIMULATED**