

Patch cable - VS-04-2X2X26C7/7-67A/OE/5,0



1655768

<https://www.phoenixcontact.com/gb/products/1655768>

Please be informed that the data shown in this PDF document is generated from our Online Catalog. Please find the complete data in the user documentation. Our General Terms of Use for Downloads are valid.



Assembled USB cable, shielded, color: RAL 5021 (water blue), PUR outer sheath, USB type A/IP67 on open cable end, length: 5 m

Patch cable - VS-04-2X2X26C7/7-67A/OE/5,0



1655768

<https://www.phoenixcontact.com/gb/products/1655768>

Commercial Data

Item number	1655768
Packing unit	1 pc
Minimum order quantity	1 pc
Sales Key	ABNDCC
Product Key	ABNDCC
Catalog Page	Page 452 (C-2-2019)
GTIN	4017918993856
Weight per Piece (including packing)	352.4 g
Weight per Piece (excluding packing)	352.4 g
Customs tariff number	85444290
Country of origin	DE

Patch cable - VS-04-2X2X26C7/7-67A/OE/5,0



1655768

<https://www.phoenixcontact.com/gb/products/1655768>

Technical Data

Product properties

Product type	Data plug
Number of positions	4
Shielded	yes

Insulation characteristics

Degree of pollution	2
---------------------	---

Electrical properties

Rated voltage (III/3)	125 V
Rated current	1 A
Transmission medium	Copper

Material specifications

Sealing material	NBR
O-ring material	FPM
Housing material	PA

Connector

Insertion/withdrawal cycles	≥ 500
-----------------------------	-------

Cable / line

Cable length	5.00 m
--------------	--------

Cable structure

Cable structure	2x2xAWG26/7 + 2xAWG20/19; S/FTP
External cable diameter	6.70 mm
Outer sheath, material	PUR
External sheath, color	water blue RAL 5021
Conductor material	Bare Cu litz wires
Conductor structure signal line	7x 0.15 mm
AWG signal line	26
Conductor structure, voltage supply	19x 0.20 mm
AWG power supply	20
Wire diameter incl. insulation	1 mm (Signal line)

Electrical properties

Wave impedance	100 Ω ±5 % (Signal line)
----------------	--------------------------

Mechanical properties

Smallest bending radius, fixed installation	≥ 35 mm
Smallest bending radius, movable installation	≥ 35 mm

Bending cycles

Patch cable - VS-04-2X2X26C7/7-67A/OE/5,0



1655768

<https://www.phoenixcontact.com/gb/products/1655768>

Smallest bending radius, fixed installation	≥ 35 mm
Smallest bending radius, movable installation	≥ 35 mm

Environmental and real-life conditions

Ambient conditions

Degree of protection	IP67
Degree of protection	IP67
Ambient temperature (operation)	-20 °C ... 60 °C (cable, fixed installation)
	0 °C ... 50 °C (Cable, flexible installation)
	Plug / socket

Patch cable - VS-04-2X2X26C7/7-67A/OE/5,0

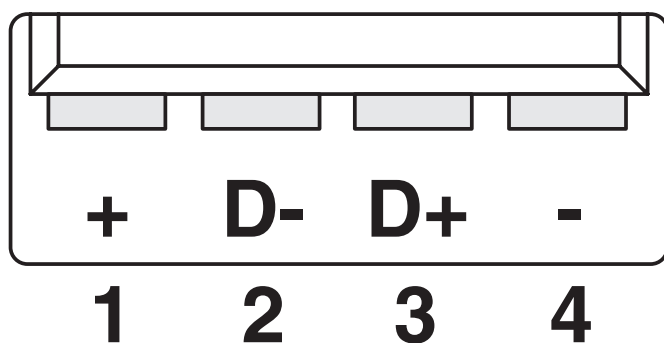
1655768

<https://www.phoenixcontact.com/gb/products/1655768>



Drawings

Schematic diagram



Pin assignment plug USB, type A

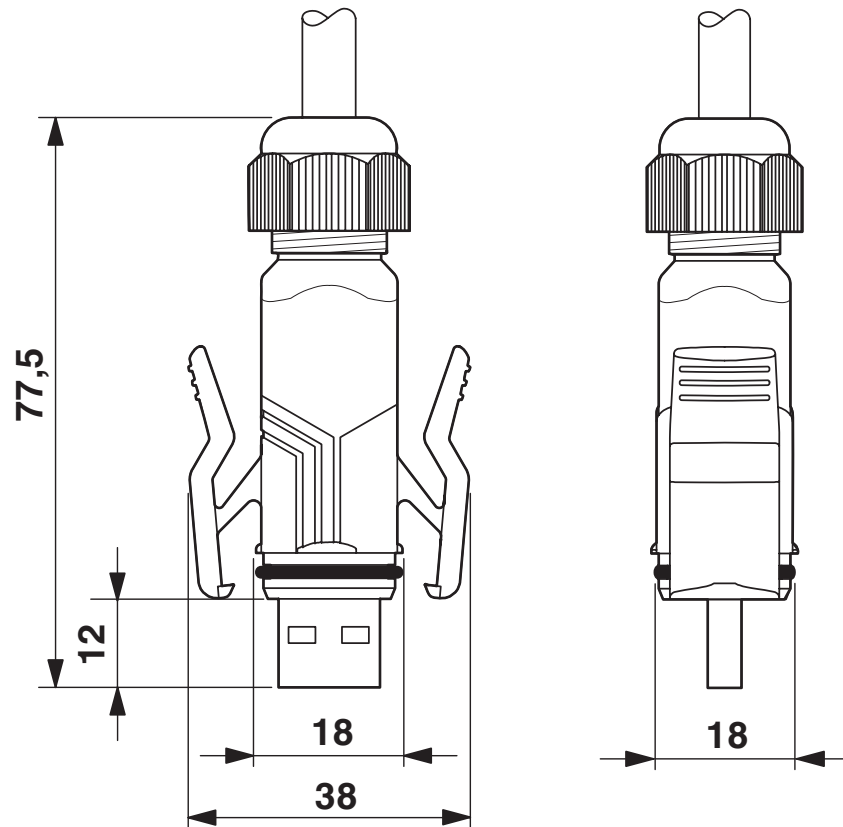
Patch cable - VS-04-2X2X26C7/7-67A/OE/5,0

1655768

<https://www.phoenixcontact.com/gb/products/1655768>

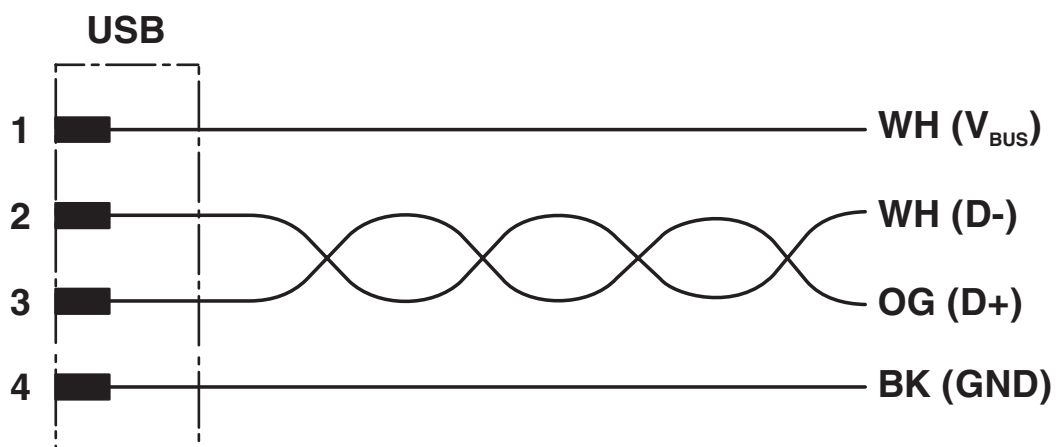


Dimensional drawing



USB connector, type A, IP67

Circuit diagram



Patch cable - VS-04-2X2X26C7/7-67A/OE/5,0

1655768

<https://www.phoenixcontact.com/gb/products/1655768>



Approvals



EAC

Approval ID: 19060508

Patch cable - VS-04-2X2X26C7/7-67A/OE/5,0



1655768

<https://www.phoenixcontact.com/gb/products/1655768>

Classifications

ECLASS

ECLASS-9.0	27060390
ECLASS-10.0.1	27060390
ECLASS-11.0	27060390

ETIM

ETIM 8.0	EC000748
----------	----------

UNSPSC

UNSPSC 21.0	26121600
-------------	----------

Patch cable - VS-04-2X2X26C7/7-67A/OE/5,0



1655768

<https://www.phoenixcontact.com/gb/products/1655768>

Environmental Product Compliance

China RoHS	Environmentally friendly use period: unlimited = EFUP-e
	No hazardous substances above threshold values

Patch cable - VS-04-2X2X26C7/7-67A/OE/5,0

1655768

<https://www.phoenixcontact.com/gb/products/1655768>

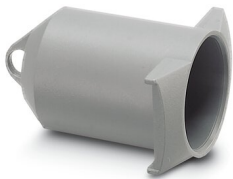


Accessories

Protective cover

Protective cover - VS-SCRJ-PC - 1653757

<https://www.phoenixcontact.com/gb/products/1653757>



IP67 protective cover, for covering the male inserts in the sleeve housings IP67, VS-SC-RJ-..., VS-04-..., VS-06-... and VS-08-...

Phoenix Contact 2022 © - all rights reserved
<https://www.phoenixcontact.com>

PHOENIX CONTACT Ltd
Halesfield 13, Telford
Shropshire, TF7 4PG
01952 681700
info@phoenixcontact.co.uk