

PCV151 Series

150W IP20 CONSTANT VOLTAGE LED LIGHTING POWER SUPPLY



Key Features:

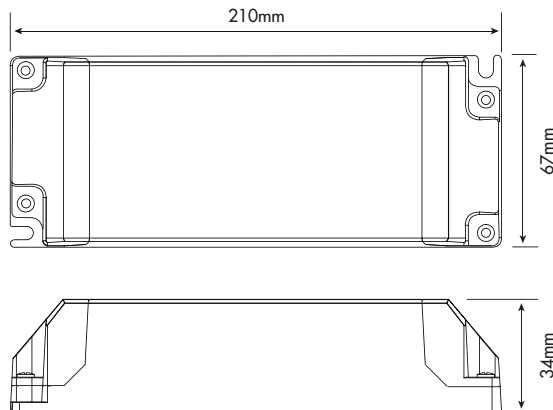
- Captive terminal screws for ease
- Over load, short circuit and thermal protection
- Class II product
- Safe no load operation
- Suitable for indoor lighting applications
- Energy Efficient and Energy compliant

PCV150 SPECIFICATION

Part Code	PCV12151	PCV24151	PCV48151
Input Voltage	220 ~ 240VAC	220 ~ 240VAC	220 ~ 240VAC
Frequency	50 ~ 60 Hz	50 ~ 60 Hz	50 ~ 60 Hz
Efficiency	≥86%	≥92%	≥90%
Inrush Current	<20A/230Vac, at cold start, maximum load.		
Power Factor	>0.95/230V, 50Hz, 75 ~ 100% load.		
Output Voltage	12V	24V	48V
Current	12.5A	6.25A	3.125A
Power	150W	150W	150W
No Load	Auto-recovery if fault is removed		
Over Load	Auto-recovery if fault is removed		
Short Circuit	Auto-recovery if fault is removed		
Over Temperature	Auto-recovery if fault is removed		
Temperature	Operating: -20 ~ +50 °C; Storage: -20 ~ +85 °C		
Safety Standard	EN61347-1, EN61347-2-13 Approved		
EMI Standard	Meets Emissions to EN61547, EN61000-4-2,3,4,5,6,8,11 EN61000-3-2 EN61000-3-3		
Lifetime	30K hrs full load 25 °C		
Connections	Screw terminal on I/P & O/P		Screw terminal on I/P & O/P
Weight	320g	320g	340g
Dimensions	210 x 67 x 34mm	210 x 67 x 34mm	210 x 67 x 34mm



Mechanical Specification



PowerLed (UK) Ltd
 Orion House
 Calleva Park
 Aldermaston
 Berkshire
 RG7 8SN

Contact:
 Tel: 0118 9703856
 enquiries@powerled.uk.com
 www.powerled.uk.com

