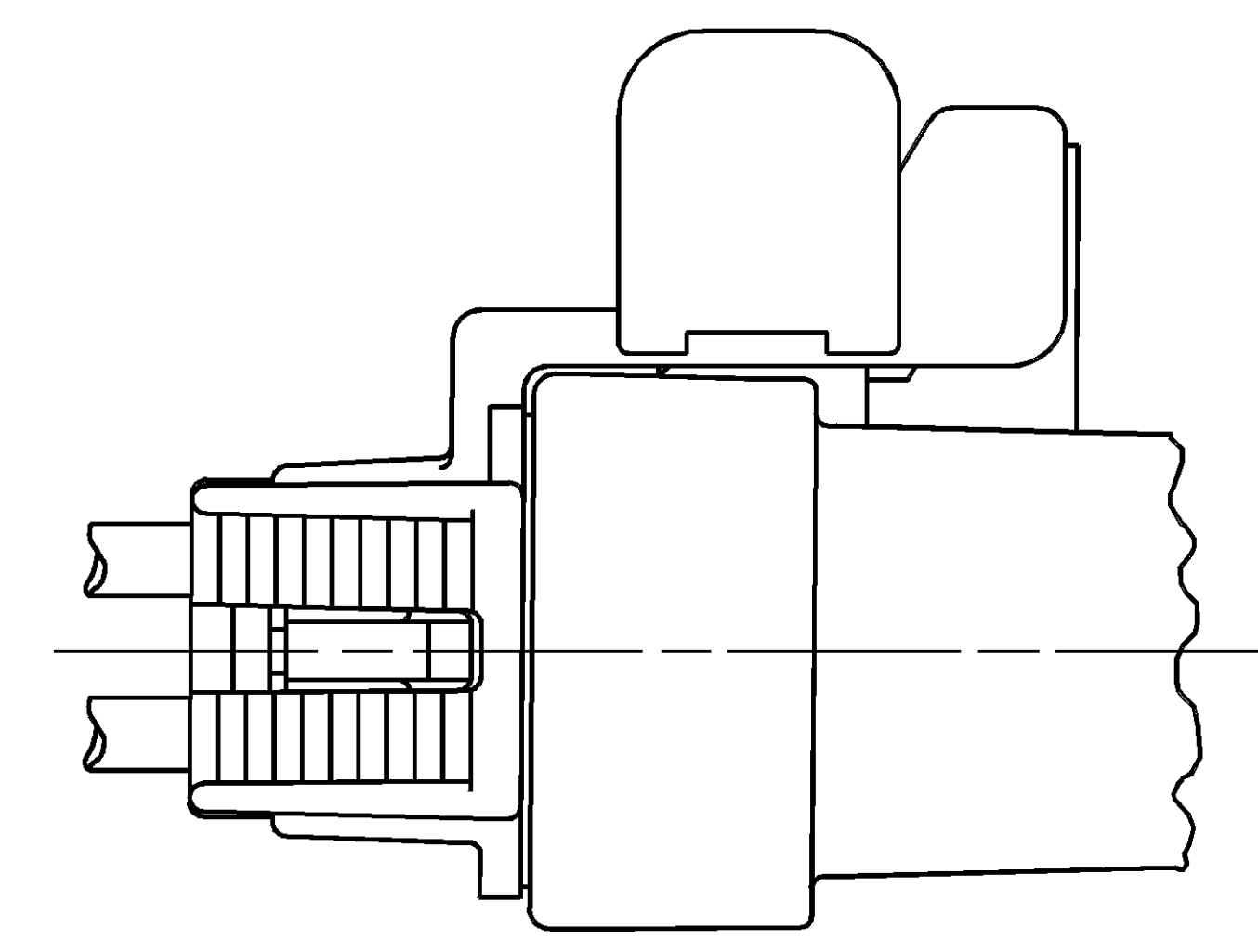
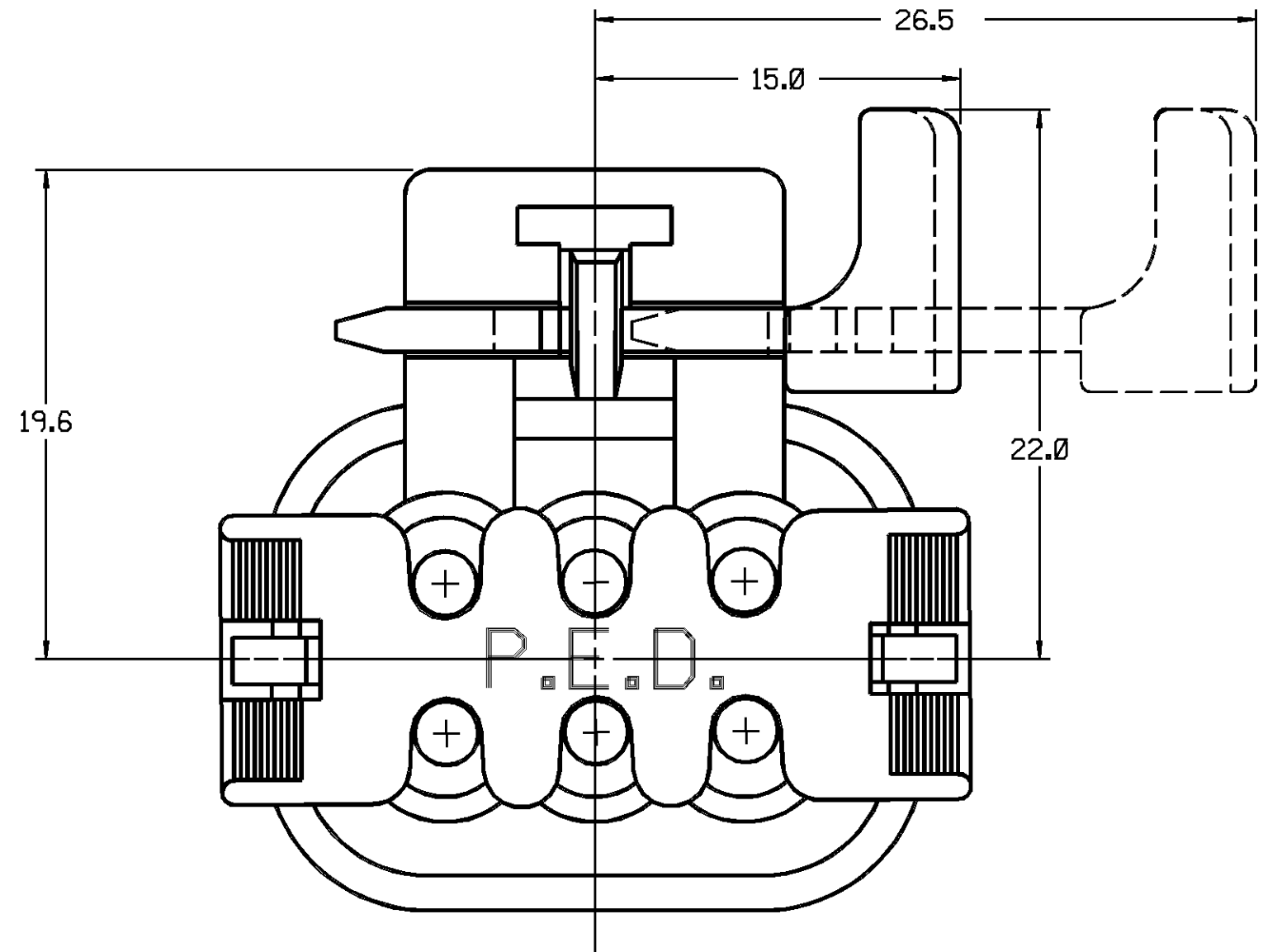
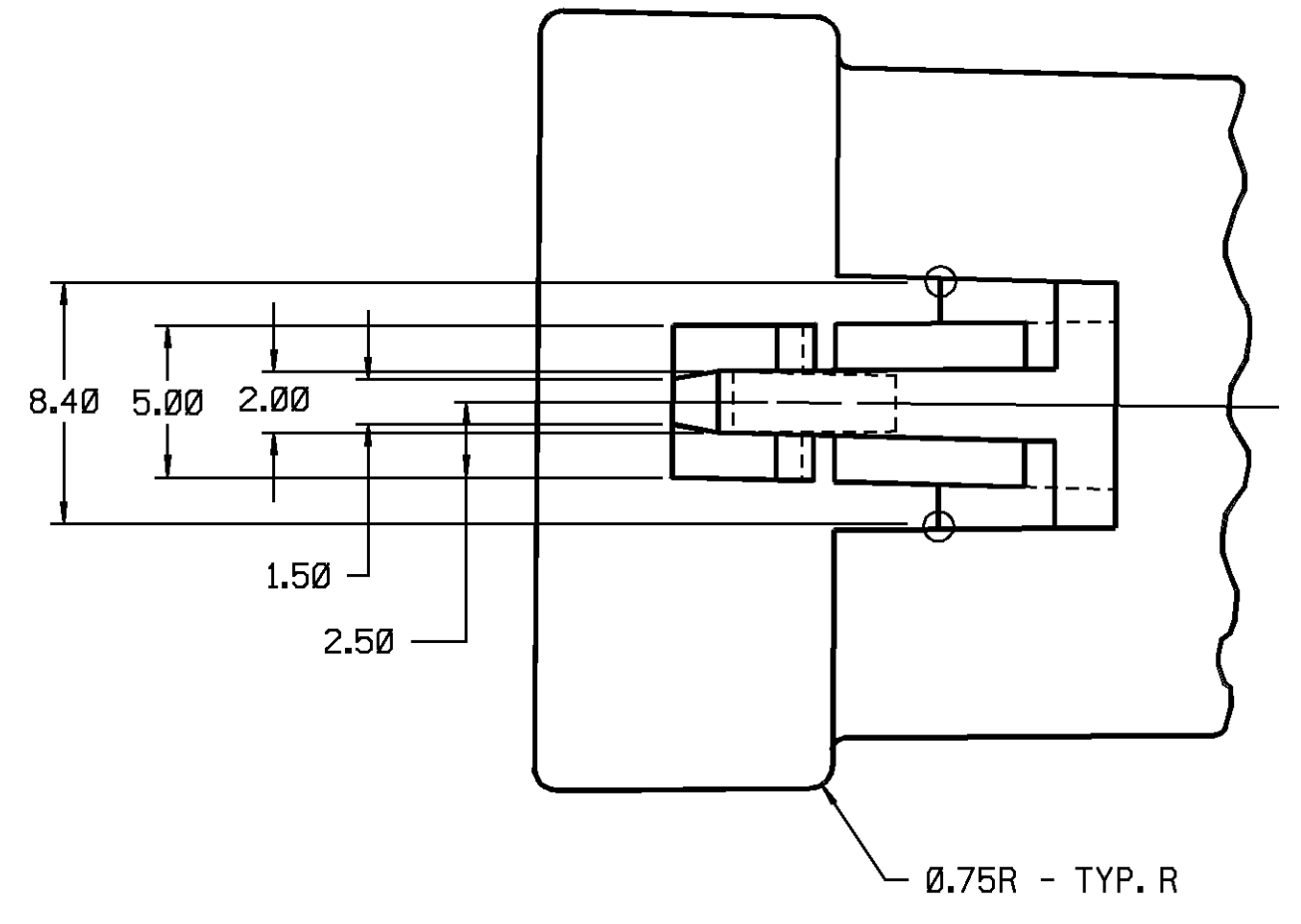
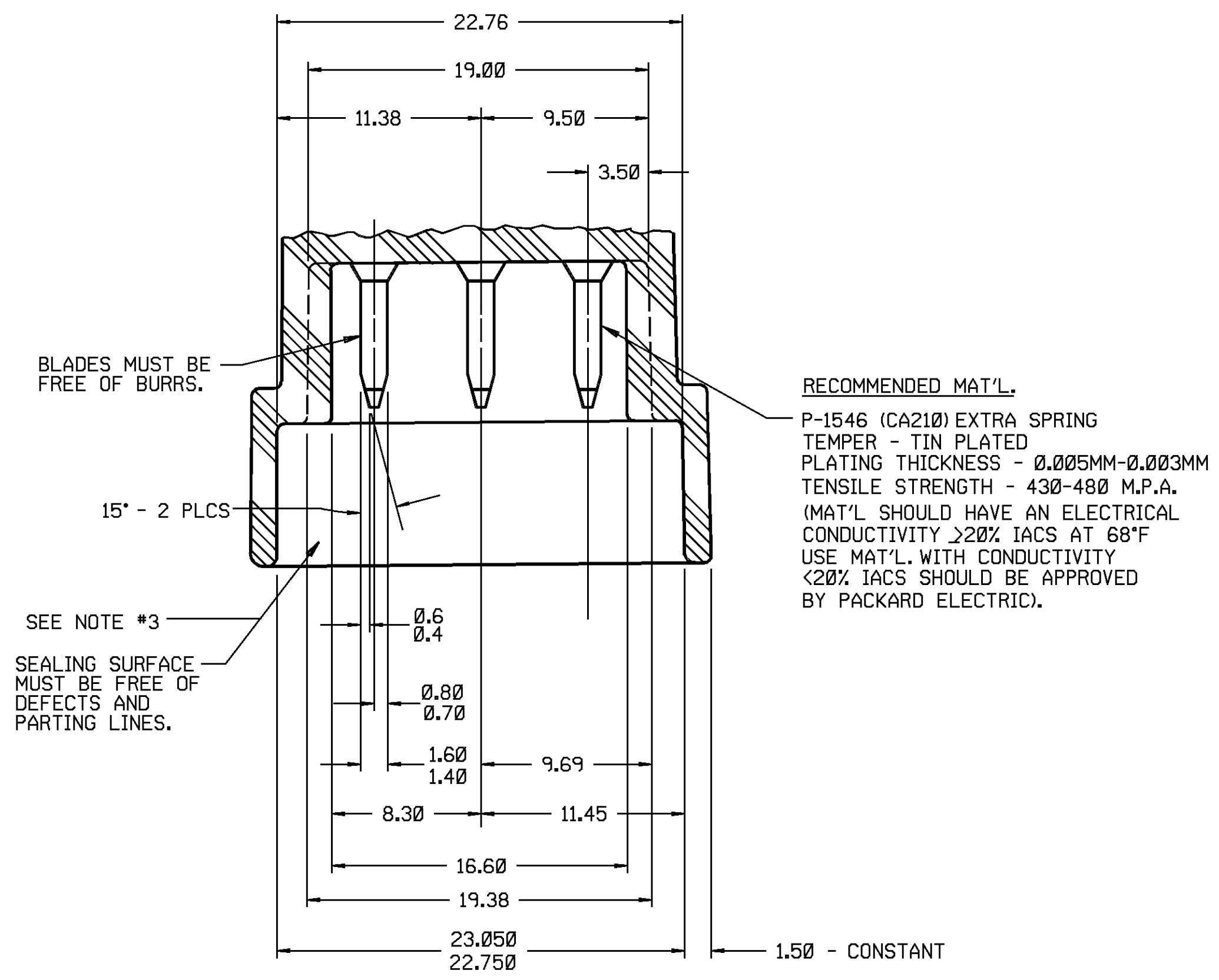
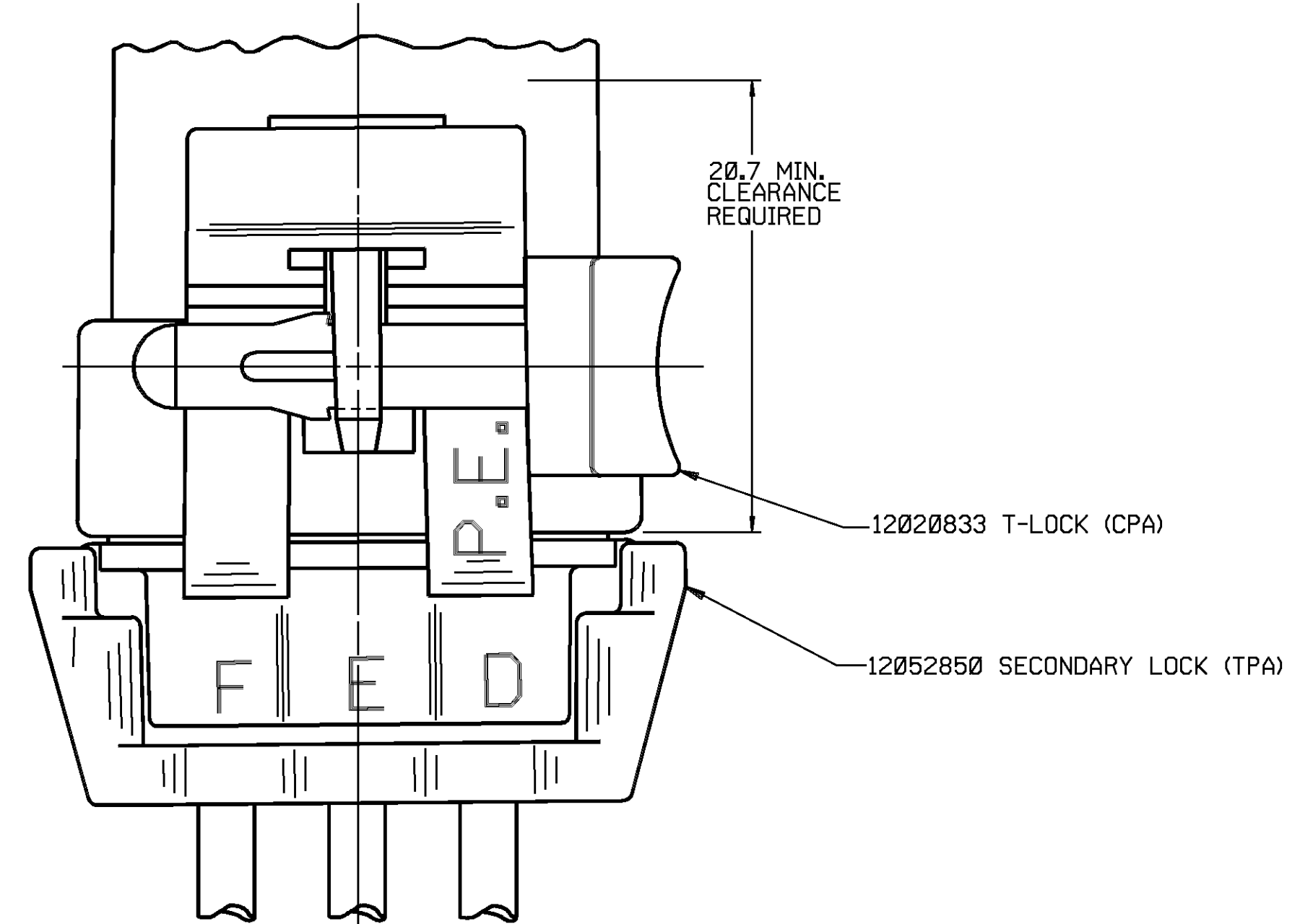
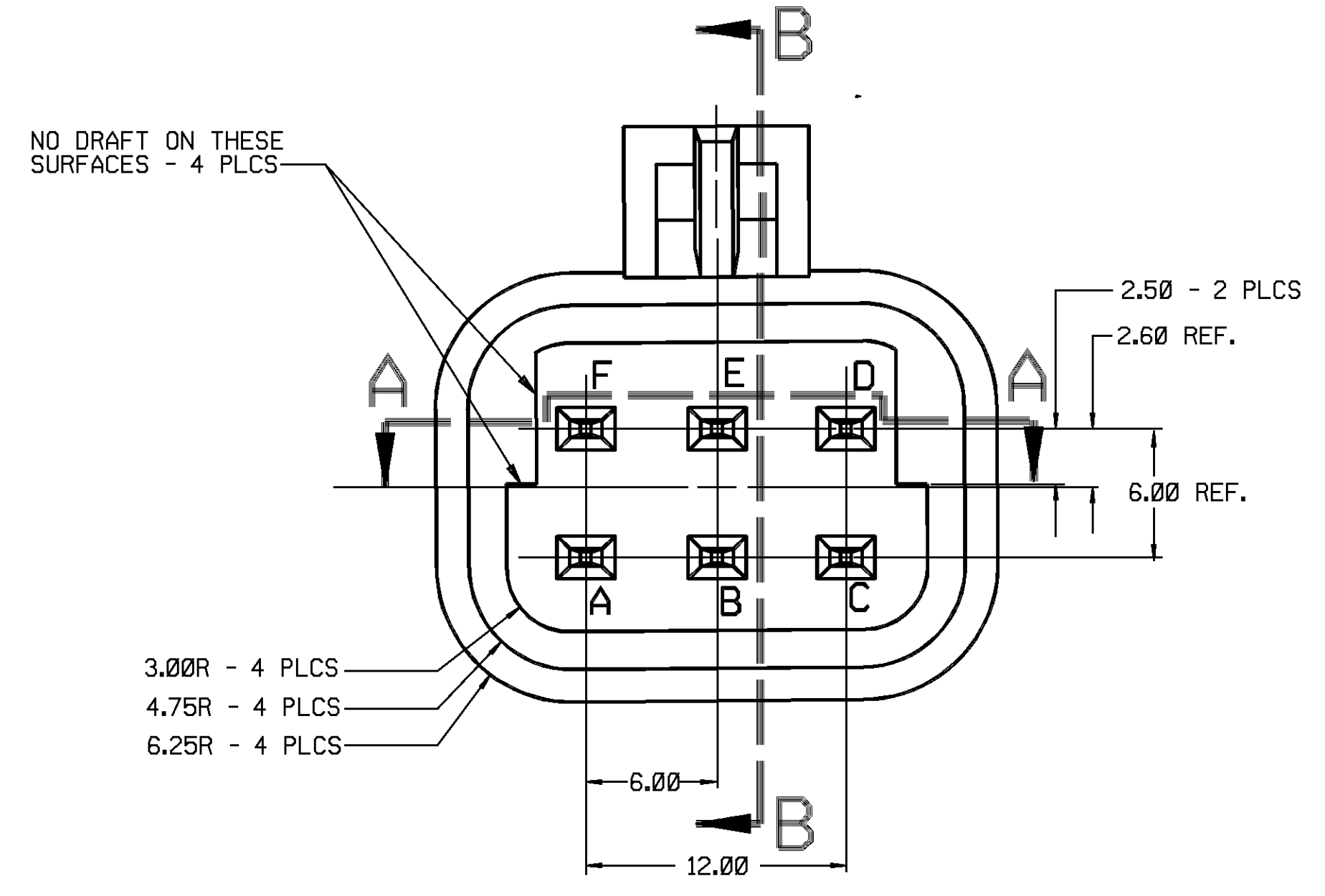


THIS DRAWING AND DESIGN HEREON CONSTITUTES A PROPRIETARY DESIGN OF PACKARD ELECTRIC DIVISION AND IS NOT TO BE REPRODUCED OR TRANSMITTED IN ANY FORM OR BY ANY MEANS WITHOUT THE WRITTEN AUTHORITY OF PACKARD ELECTRIC DIVISION.
DO NOT SCALE

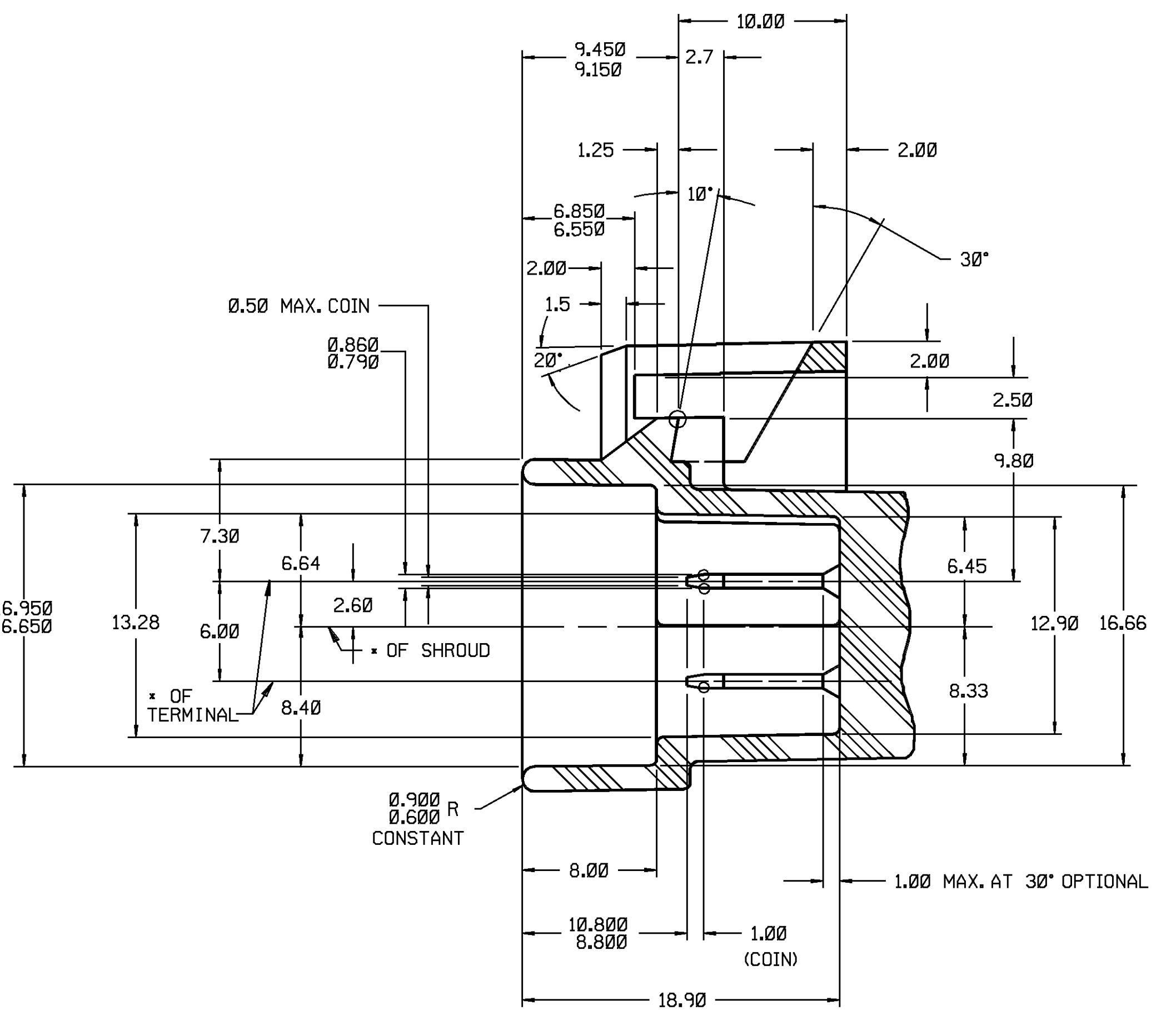
ZONE	DATE	SYM	REVISION RECORD	AUTHORITY	DR	CK
	29JAB8		REDRAWN FROM 'C' SIZE MATING			
			CONNECTOR INFORMATION ADDED			
			REVISION LEVEL REMAINS AT 'B'	118008	CF	FH
10.JUL.90	C		CONNECTOR SEAL 12092601 WAS 1205287135454		BKD	BKD



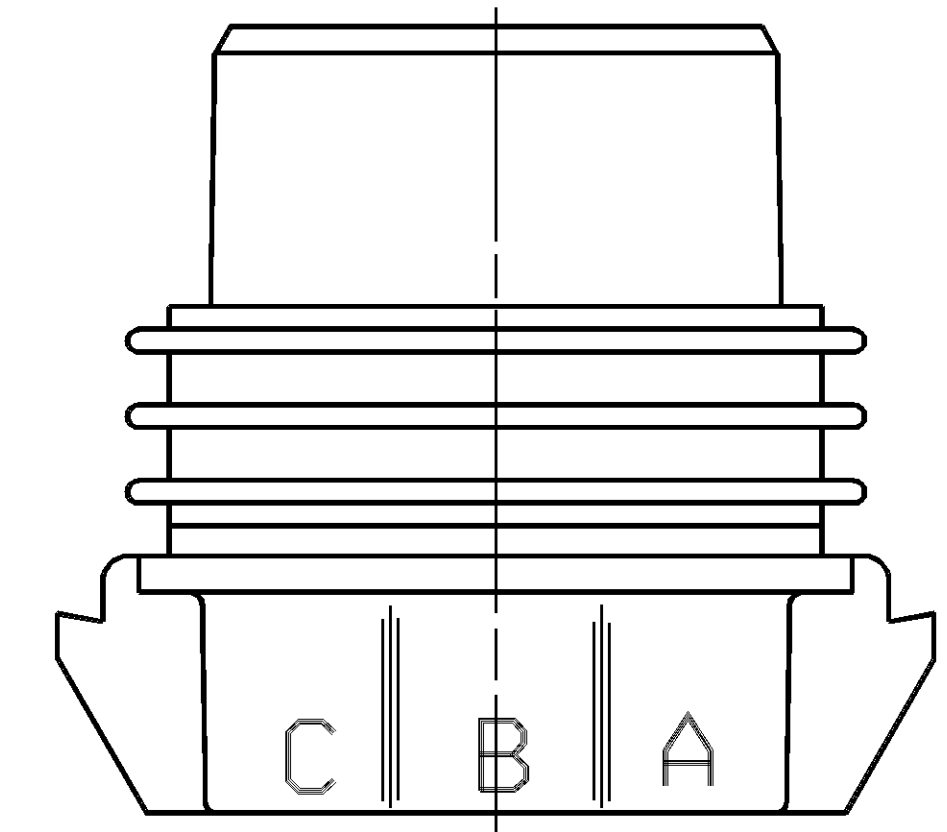
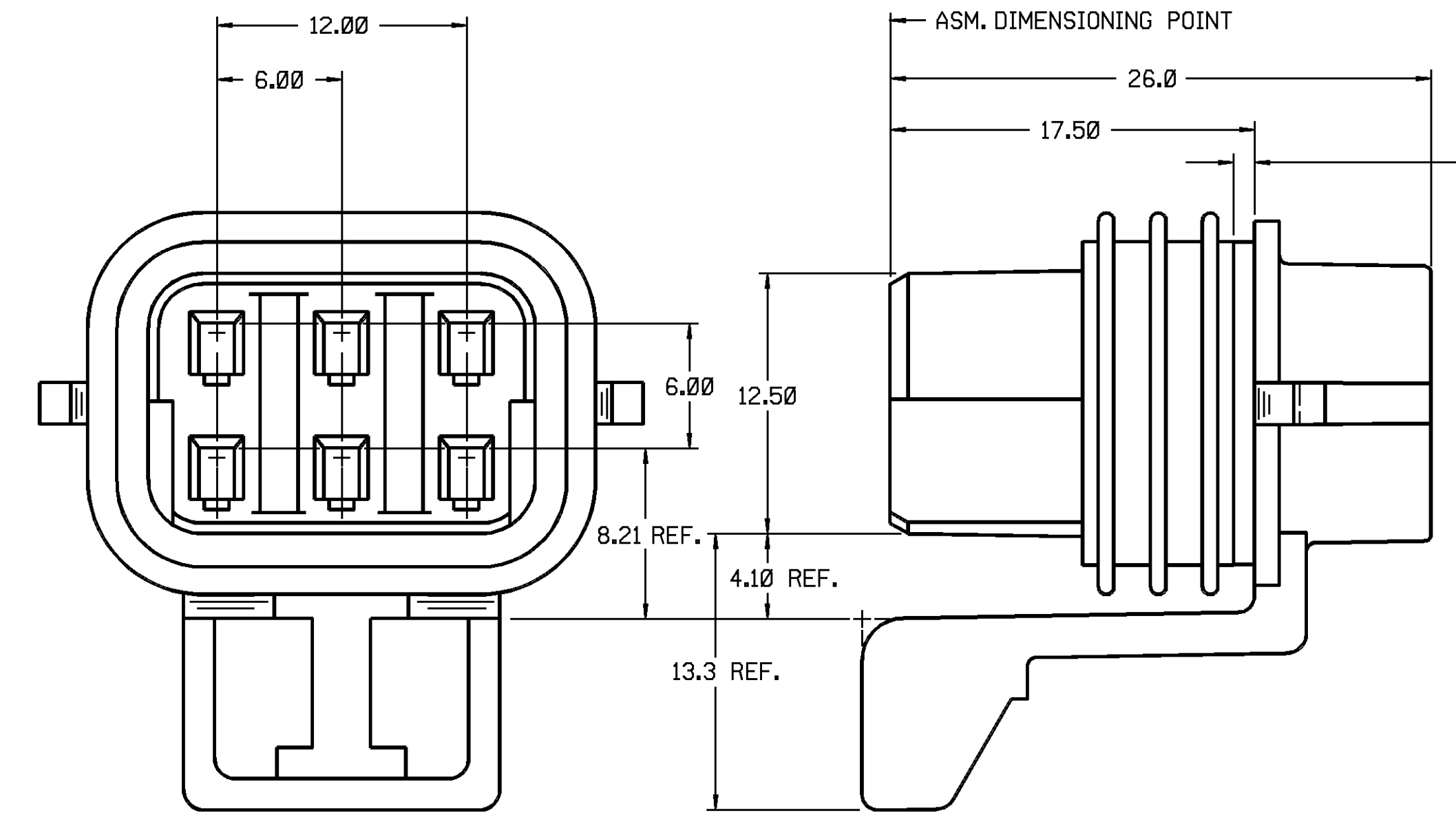
SECTION A-A



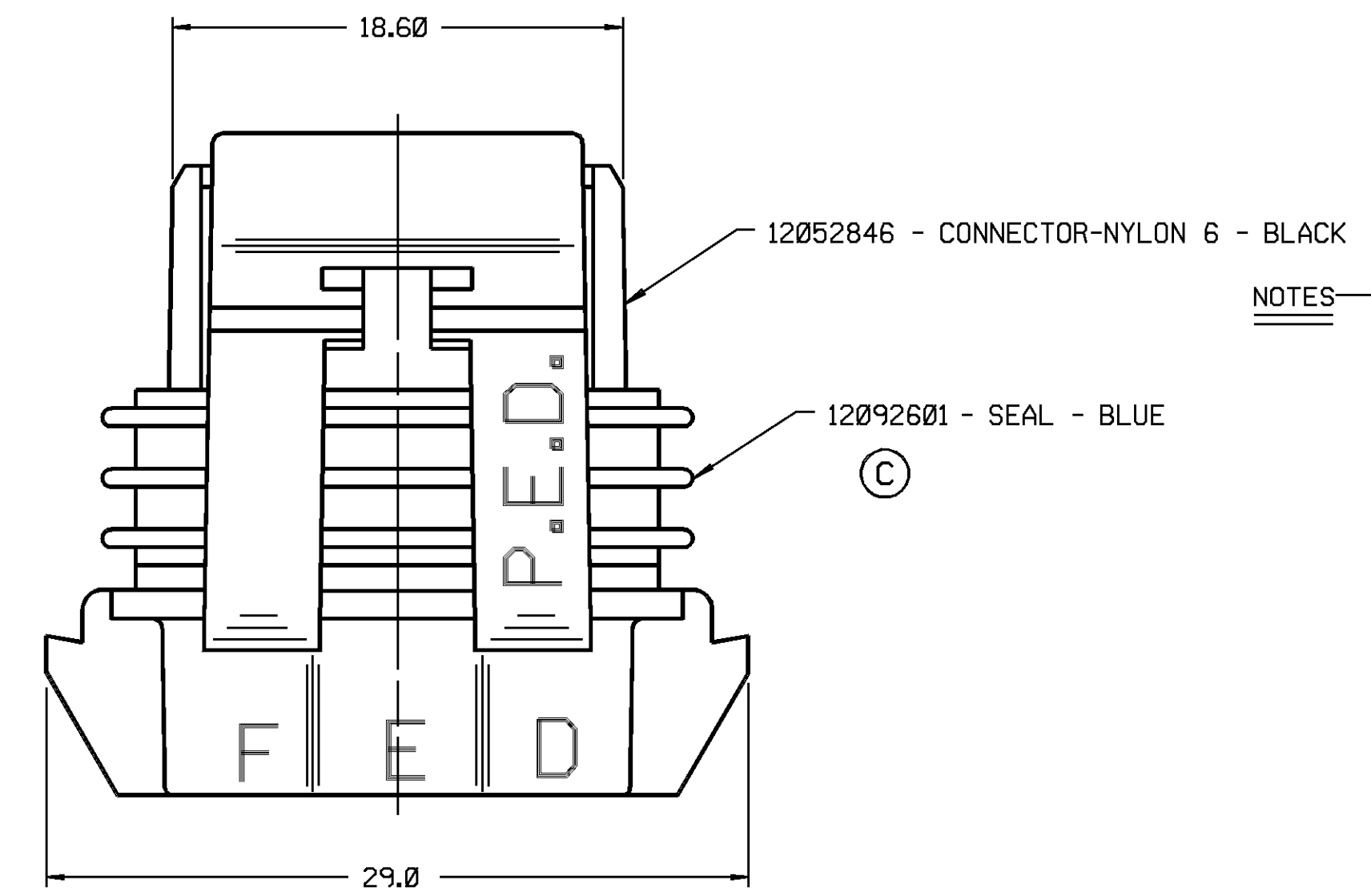
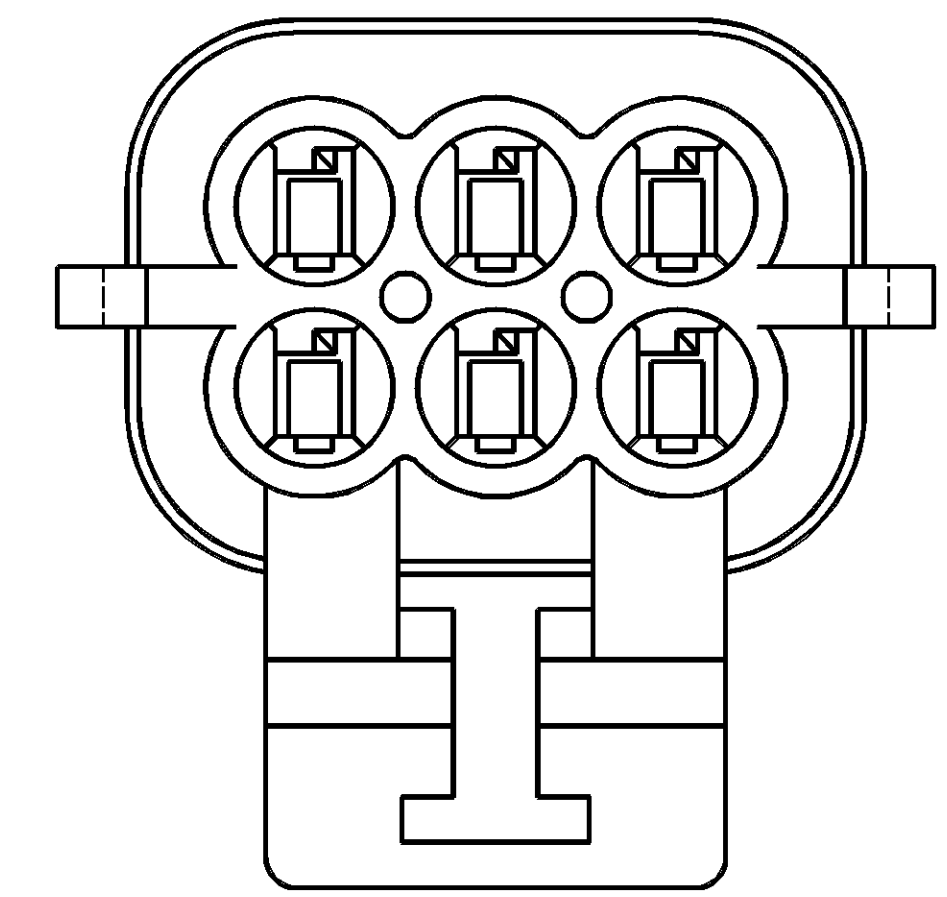
MATING CONNECTOR INFORMATION
SCALE 4:1



SECTION B-B



2.0 MAX. GAP ALLOWABLE BETWEEN SEAL AND CONNECTOR SHOULDER.



- NOTES
1. CAVITIES TO ACCEPT 12048074 TERMINAL OR EQUIVALENT.
 2. CAVITIES TO ACCEPT 12048086 CABLE SEAL OR EQUIVALENT.
 3. CONNECTOR TO ACCEPT 12052850 SECONDARY LOCK OR EQUIVALENT.
 4. MATING CONNECTOR - 12052849 OR EQUIVALENT.
 5. MAXIMUM CABLE DIAMETER - 2.80 MM.
 6. WHEN PARTS ARE SHIPPED, THEY MUST BE PACKED IN PLASTIC BAGS OR SHIPPING CONTAINERS MUST BE LINED WITH PLASTIC LINERS, BAGS OR LINERS MUST BE SEALED TO AVOID ENTRY OF FOREIGN MATTER.
 7. THIS CONNECTOR & SEAL ASM. TO ACCEPT 12020833 T-LOCK (CPA) WHEN MATED WITH 12052849 CONNECTOR OR EQUIVALENT.
 8. SEALING CODE 3.

- NOTES
1. WHEN USING THIS INFORMATION FOR A NEW DESIGN, REQUEST THE LATEST COPY OF THIS PRINT FROM PACKARD ELECTRIC DIVISION.
 2. ALL RADII 0.40, UNLESS OTHERWISE SPECIFIED.
 3. THIS SURFACE IS 'CRITICAL' FOR PART FUNCTION. ALSO, ALL THREE PLACE DIMENSIONS ARE 'CRITICAL'.
 4. THE SHAPE OF THE SHROUD AND LOCK ARE REPRESENTATIVE. VARIATIONS FOR ADAPTING THE SHROUD FOR SPECIFIC DEVICES AND/OR MOLDING METHODS ARE PERMITTED AS LONG AS FUNCTION IS MAINTAINED.

RECOMMENDED MAT'L - GLASS REINFORCED NYLON OR POLYESTER.

PED / MICROGRAPH		FILE SPEC	*****
THIRD ANGLE PROJECTION		CON SPECIFICATION	*****
MICROSTATION		METRIC	
TOLERANCE UNLESS OTHERWISE SPECIFIED		DIMENSIONS ARE IN MILLIMETERS UNLESS OTHERWISE SPECIFIED.	
CODE NO.	6900	ANGULAR ± 2'	
D.C.	-C-5110	ONE PLACE ± 0.3	
DATE	23JAB5	TWO PLACE ± 0.15	
DWG.	NONE	SCALE	DR. J. J. G. 29JAB8
EST. NO.		DR. F. HESTON	DATE 23FE88
REFERENCE NO.		APPR. R. H. PARKURS	DATE 23FE88
		APPR. RON DALM	DATE 23FE88
MATERIAL SPEC.			
SEE DRAWING			
NAME ASM CONN 6F M/P 150			
PART NO.		SIZE	
1205 2848		E	