



FAG

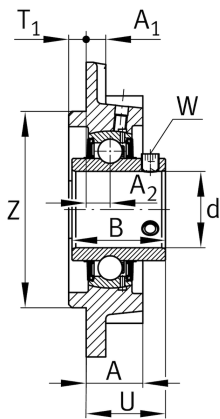
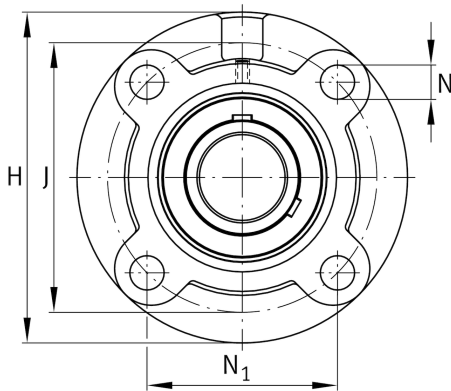
UCFC210-J7

Flanged housing unit

Schaeffler ID:
0822439640000

Flanged housing unit UCFC

Technical information

**Main Dimensions & Performance Data**

d	50 mm	Bore diameter
H	165 mm	Height flange
U	42,6 mm	Total height unit
C_r	35.000 N	Basic dynamic load rating, radial
C_{or}	23.200 N	Basic static load rating, radial
C_{ur}	990 N	Fatigue load limit, radial
	3,052 kg	Weight

Mounting dimensions

J	138 mm	Distance fixing bore
J	138 mm	Pitch circle diameter (holes)
N	16 mm	Fixing bore
N_1	97,6 mm	Distance fixing bore
T_1	12 mm	Height spigot
Z	110 mm	Diameter spigot
	h8	Diameter spigot clearance
n	4	Number of screwing holes

Dimensions

A_1	14 mm	Thickness of flange
A_2	10 mm	Distance raceway
B	51,6 mm	Width
Q	M6	Connection thread lubrication

Additional information

UC210	Bearing designation
-------	---------------------