



115.111.129.98LFEZapfen

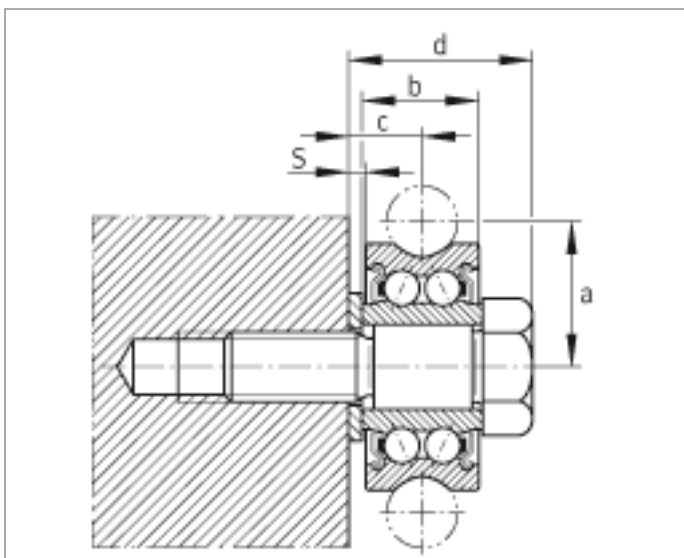
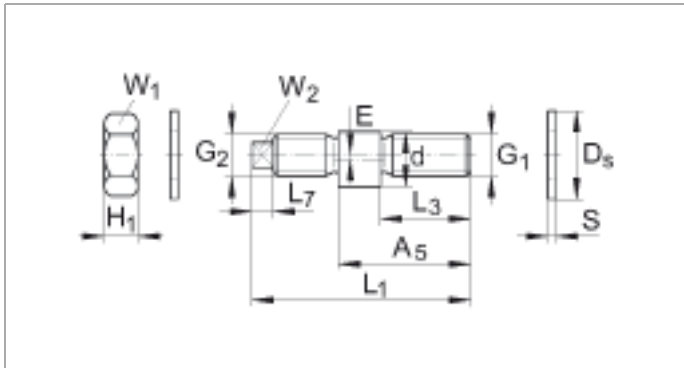
Journal LFE12-1 (Series LFE)

eccentric bolts for track rollers LFR

The datasheet is only an overview of dimensions and basic load ratings of the selected product. Please always observe all the guidelines in these overview pages. Further information is given on many products under the menu item "Description". You can also order comprehensive information via the Catalogue ordering system

(https://www.schaeffler.de/content.schaeffler.de/en/news_media/index.jsp) or by telephone on +49 (91 32) 82 - 28 97.

G1	M10
G2	M10
L1	50 mm
A5	33,5 mm
d	12 mm
Ds	21 mm
E	1 mm
H1	8,4 mm
L3	19,5 mm
L7	5 mm
S	1,8 mm
W1	17 mm
W2	6 mm
m	40 g Mass
LFR5201-10-2Z	Suitable track rollers
	Mounting situation of LFZ, LFE:
	a = 20,65 mm
	(With eccentric bolts, the dimension a varies by +/- E)
	b = 17,7 mm
	S = 1,8 mm
	c = 9,7 mm
	d = 32,3 mm
	Design with anti-corrosion protection available by agreement.



Mounting situation