

100 50SR BSHLL KIT,M J-SCR ✓ ACTIVE

AMPLIMITE | AMPLIMITE 0.50 Series

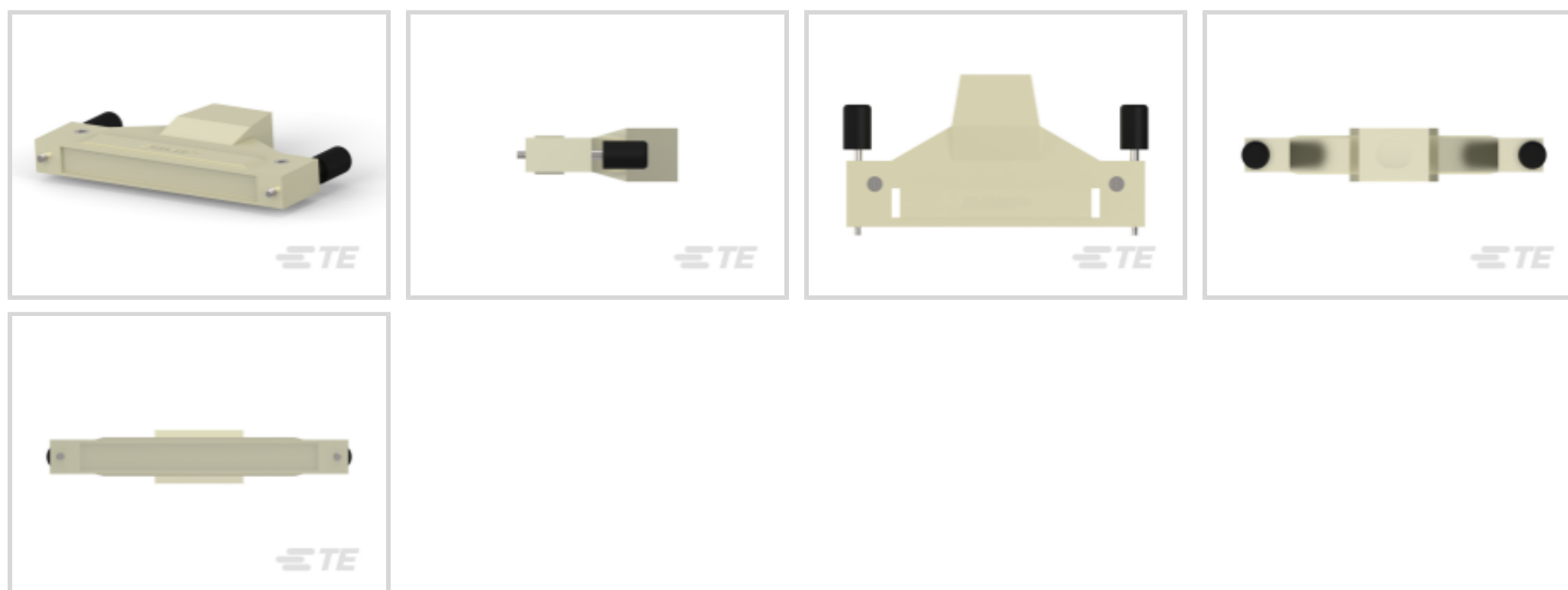
TE Part # 5749081-1

TE Internal #: 5749081-1

[View on TE.com >](#)



Connectors > D-Shaped Connectors > D-Sub Accessories > D-Sub Backshells & Clamps



Accessory Type: **Backshell Kit**

Number of Positions: **100**

Shielded: **Yes**

Cable Insulation Diameter: **12.7 mm [.5 in]**

Cable Exit Angle: **180**

Features

Product Type Features

Product Type	Connector
Accessory Type	Backshell Kit
Shielded	Yes
Connector & Contact Terminates To	Wire & Cable

Configuration Features

Number of Positions	100
---------------------	-----

Body Features

Backshell Material	Zinc
Strain Relief Clip Material	Carbon Steel
Color	Black
Backshell Plating Material	Nickel
Cable Exit Angle	180

Dimensions

Cable Insulation Diameter	12.7 mm[.5 in]
---------------------------	----------------

Industry Standards



Cover Flammability Rating	UL 94V-0
---------------------------	----------

Packaging Features

Packaging Quantity	1
Packaging Method	Bag

Other

Comment	Each backshell kit includes upper and lower backshells, two jackscrews, one strain relief staple and two 2-56 screws. All are packaged unassembled
---------	--

Product Compliance

[For compliance documentation, visit the product page on TE.com>](#)

EU RoHS Directive 2011/65/EU	Compliant with Exemptions
EU ELV Directive 2000/53/EC	Compliant with Exemptions
China RoHS 2 Directive MIIT Order No 32, 2016	Restricted Materials Above Threshold
EU REACH Regulation (EC) No. 1907/2006	Current ECHA Candidate List: JAN 2019 (197) Candidate List Declared Against: JAN 2019 (197)
Halogen Content	Not Low Halogen - contains Br or Cl > 900 ppm.
Solder Process Capability	Not applicable for solder process capability

Product Compliance Disclaimer

This information is provided based on reasonable inquiry of our suppliers and represents our current actual knowledge based on the information they provided. This information is subject to change. The part numbers that TE has identified as EU RoHS compliant have a maximum concentration of 0.1% by weight in homogenous materials for lead, hexavalent chromium, mercury, PBB, PBDE, DBP, BBP, DEHP, DIBP, and 0.01% for cadmium, or qualify for an exemption to these limits as defined in the Annexes of Directive 2011/65/EU (RoHS2). Finished electrical and electronic equipment products will be CE marked as required by Directive 2011/65/EU. Components may not be CE marked. Additionally, the part numbers that TE has identified as EU ELV compliant have a maximum concentration of 0.1% by weight in homogenous materials for lead, hexavalent chromium, and mercury, and 0.01% for cadmium, or qualify for an exemption to these limits as defined in the Annexes of Directive 2000/53/EC (ELV). Regarding the REACH Regulations, TE's information on SVHC in articles for this part number is still based on the European Chemical Agency (ECHA) 'Guidance on requirements for substances in articles' (Version: 2, April 2011), applying the 0.1% weight on weight concentration threshold at the finished product level. TE is aware of the European Court of Justice ruling of September 10th, 2015 also known as O5A (Once An Article Always An Article) stating that, in case of 'complex object', the threshold for a SVHC must be applied to both the product as a whole and simultaneously to each of the articles forming part of its composition. TE has evaluated this ruling based on the new ECHA "Guidance on requirements for substances in articles" (June 2017, version 4.0) and will be updating its statements accordingly.

Compatible Parts




TE Part # 5749699-8
100 50SR CABLE RCPT KIT



TE Part # 5749111-8
100 50SR CABLE PLUG ASSY

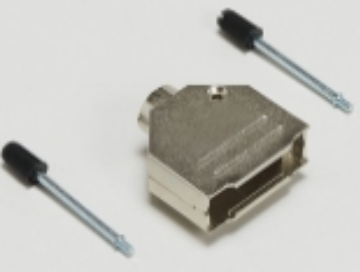


TE Part # 1-5750913-9
100 50SR CABLE CONN KIT



TE Part # 5749621-9
100 50S CABLE PLUG CONN/COV KI

Also in the Series | **AMPLIMITE 0.50 Series**



D-Sub Backshells & Clamps (32)



D-Sub Covers(20)



D-Sub Locking & Mounting (9)



IDC D-Sub Connectors(78)

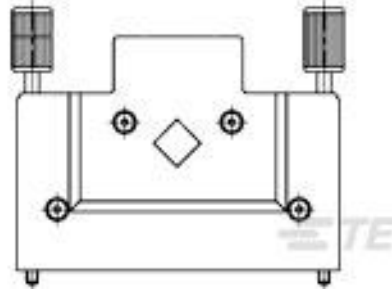


PCB D-Sub Connectors (212)

Customers Also Bought



TE Part #5749195-2
68 50SR KIT,ST,UK



TE Part #5786152-3
68 50SR BSHL KIT W/JS, UNPNTD,



TE Part #5749854-1
100 50SR BSHLL KIT,M JSREW



TE Part #211883-5
SCREW RETAINER KIT, AMPLIMITE



TE Part #5749621-9
100 50S CABLE PLUG CONN/COV KI



TE Part #5749080-1
50 50SR BSHLL KIT,M/J-SCR



TE Part #5749111-8
100 50SR CABLE PLUG ASSY



TE Part #3-747579-4
SHLDNG FERRULE, PLTD, BULK PKG



Documents

Product Drawings

[100 50SR BSHLL KIT,M J-SCR](#)

English

CAD Files

Customer View Model

[ENG_CVM_5749081-1_O.2d_dxf.zip](#)

English

Customer View Model

[ENG_CVM_5749081-1_O.3d_igs.zip](#)

English

Customer View Model

[ENG_CVM_5749081-1_O.3d_stp.zip](#)

English

3D PDF

English

Datasheets & Catalog Pages

[AMPLIMITE Subminiature D Connectors - .050 Series Connector](#)

English

Product Environmental Compliance

[TE Material Declaration](#)

English