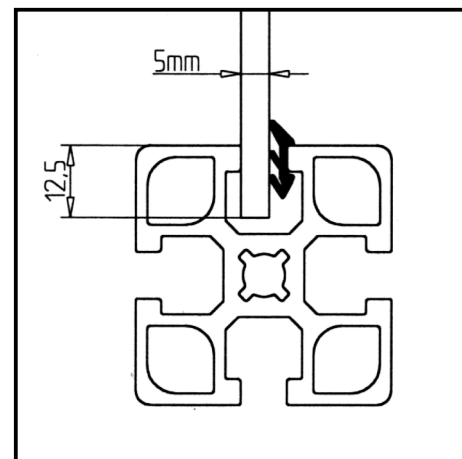
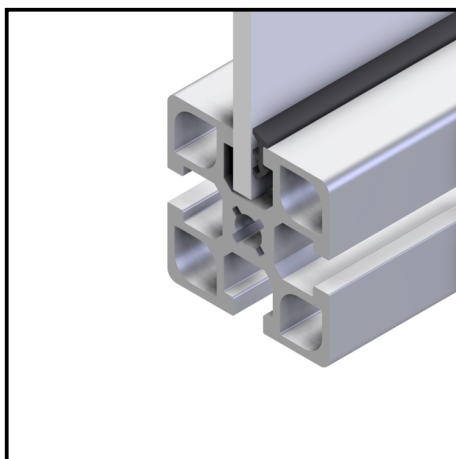
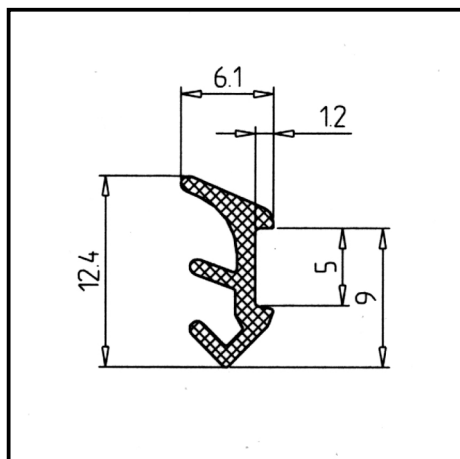


INSERT SEAL 5

Article Nr. 22.1099/0

[See the product on the website](#) →

[Download CAD Files](#) →



TECHN. DATA / ITEMS SUPPLIED

- EPDM, black
- Roll length 100 m
- Weight = 0.040 kg/m

APPLICATIONS

- Fastening and sealing of panels directly in the profile groove, for panels up to 5 mm thick
- Also suitable for acrylic plastic and polycarbonate

ASSEMBLY

- Slide the pane into the profile groove, afterwards press the sealing gasket manually or with a suitable dull tool made of wood or plastic