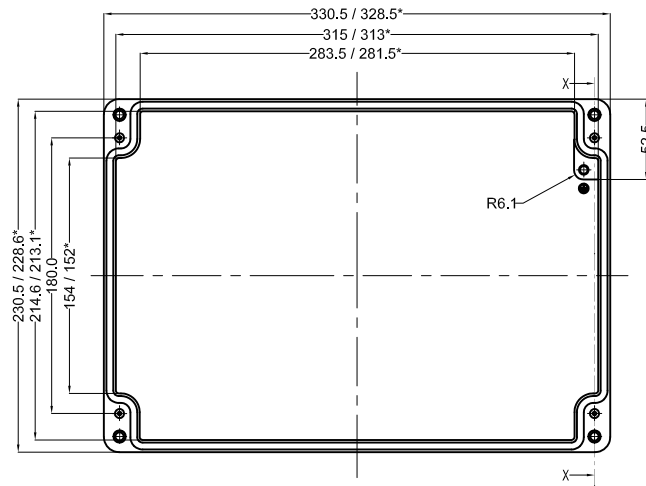
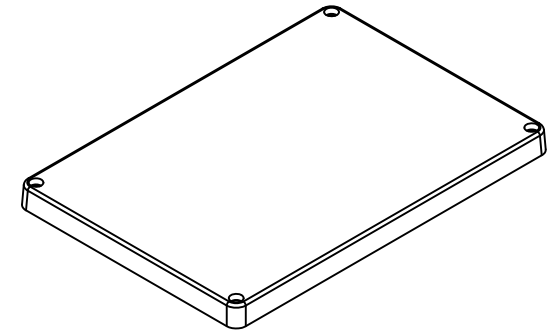
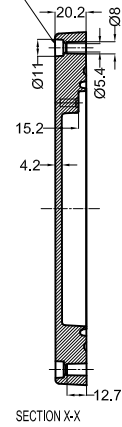


\* = Conical form tapering downward.  
 Untoleranced dimensions per GTA 14/5 - DIN 1688

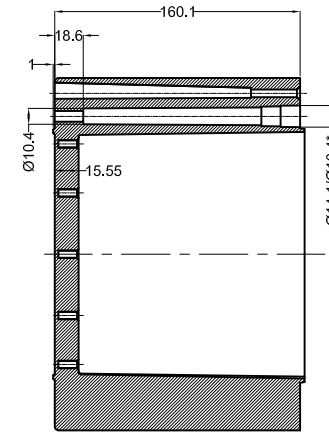
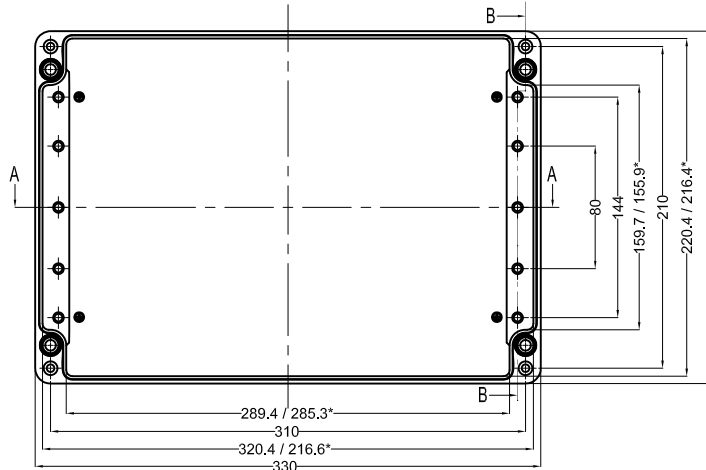
LID



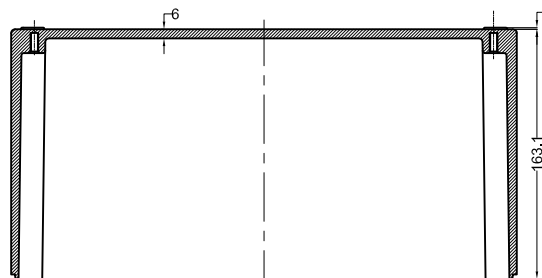
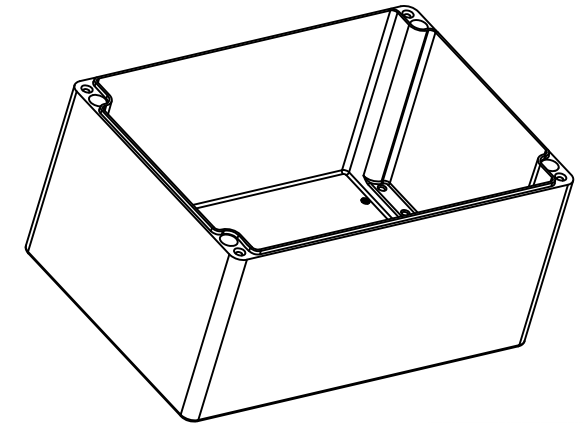
Cylinder Screw  
 M6 x 25/10 similar to DIN 84



BASE



SECTION B-B



SECTION A-A



QUANTITY 1	MATERIAL :- <b>ALs112 (Din230)</b>	MACH.NAME -	DATE 13/06/12	SIGN MANOJ	NAME DRAWN
			13/06/12		PAVAN CHECKED
		TITLE :- JUNCTION BOX 330 x 230 x 180			S.D. APPROVED
WEIGHT: -		FINISH: NATURAL	SCALE		
TOLERANCE	±0.2 DIMENSIONS	±0.2 HOLES	ALL DIMENSION ARE IN MM		
	±1.0° ANGLES	-			