



SCHILL
connecting professionals

FT260

SPRING RETURN CABLE REEL

**RS Stock Codes:
125-0713, 125-0714**

Small, robust wall ceiling or floor mounting spring-retractable reel, suitable for offices, small workshops, laboratories, schools & production areas.

Manufactured from sturdy thermoplastic, the reel is electrically insulated & corrosion resistant. Depending on requirements, the desired length of cable is pulled out of the reel, leaving the remaining cable neatly stored on the reel safe from damage and dirt. When the cable connection is no-longer required, a short pull on the ball-stop and the cable neatly rewinds.



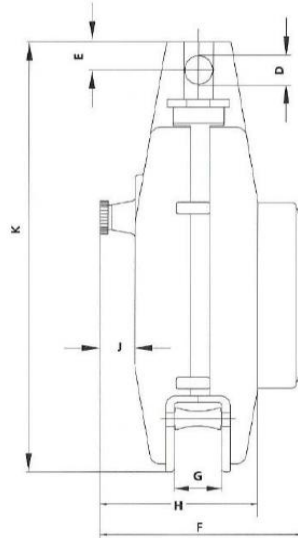
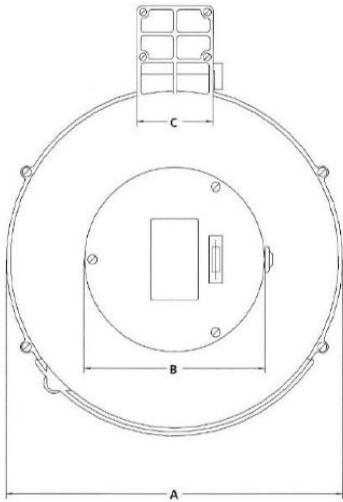
A spring-return cable reel means a safe & organized workplace.

Features:

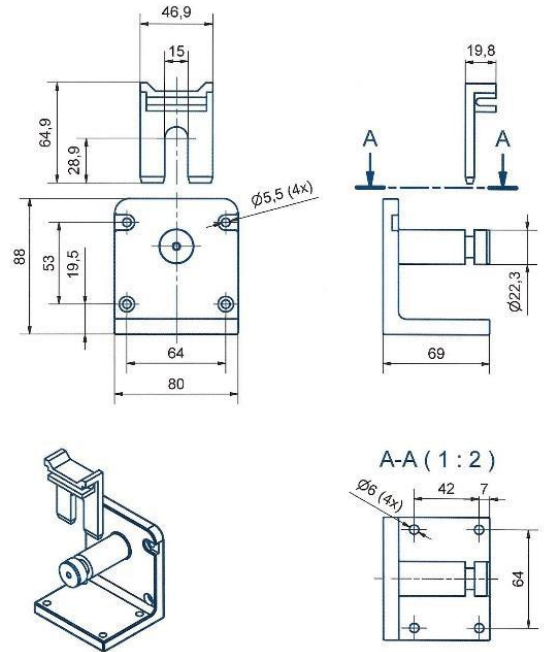
- Load capacities up to 32A.
- Single & 3-phase 4 & 5-wire variants, including an earth-bonding version.
- Uprated spring variant's for lifting loads up to 1.2Kg.
- FT260.0305-101 pre-torqued to lift 450g loads consistently.
- Cable lengths from 5m to 12m - 1mm² to 4mm², in both HO5VV-F and HO7RN-F cables.
- Universal mounting bracket (Wall, floor or ceiling)
- Manual On/Off cable retraction ratchet
- Adjustable ball-stop
- High quality brass sliprings / silver contacts
- IP20 protection

Dimensions (mm):

A	B	C	D	E	F	G	H	J	K
260	140	60	22	22	175	36	122	26	325



Universal fixing bracket:



Part numbers & specifications:

Part Number (RS P/#)	Cable	Load Wound	Load Unwound	Weight Kg
FT260.0312	12m 3x1mm ²	4A	10A	4.1
125-0713	8m 3x1.5mm ²	8A	10A*	4.0
FT260.0505	5m 5x1.5mm ²	5A	10A*	4.0
FTE260.0110	10m 1x10mm ²	Earth-Bond Reel	-	4.5
FT260.0406	6m 4x1.5mm ²	4A	10A*	4.0
125-0714	5m 3x2.5mm ²	8A	16A**	4.0
FT260.0305-101	5m 3x1.5mm ²	8A	16A**	4.0
FT260.0305-102	5m 3x1.5mm ²	8A	16A**	4.0
FT260.0305.32	5m 3x4.0mm ²	16A	32A**	5.0

*Can be increased to 16A by replacing the fused terminal block with an unfused terminal block.
Please ensure the cable is suitably protected.

Please ensure the cable is suitably protected.

** No internal fused block. Please ensure the cable is suitably protected.