

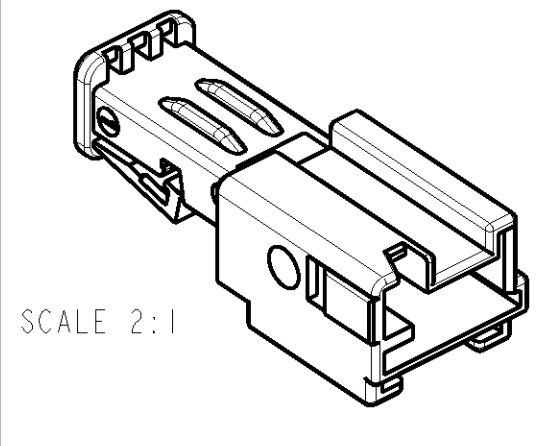
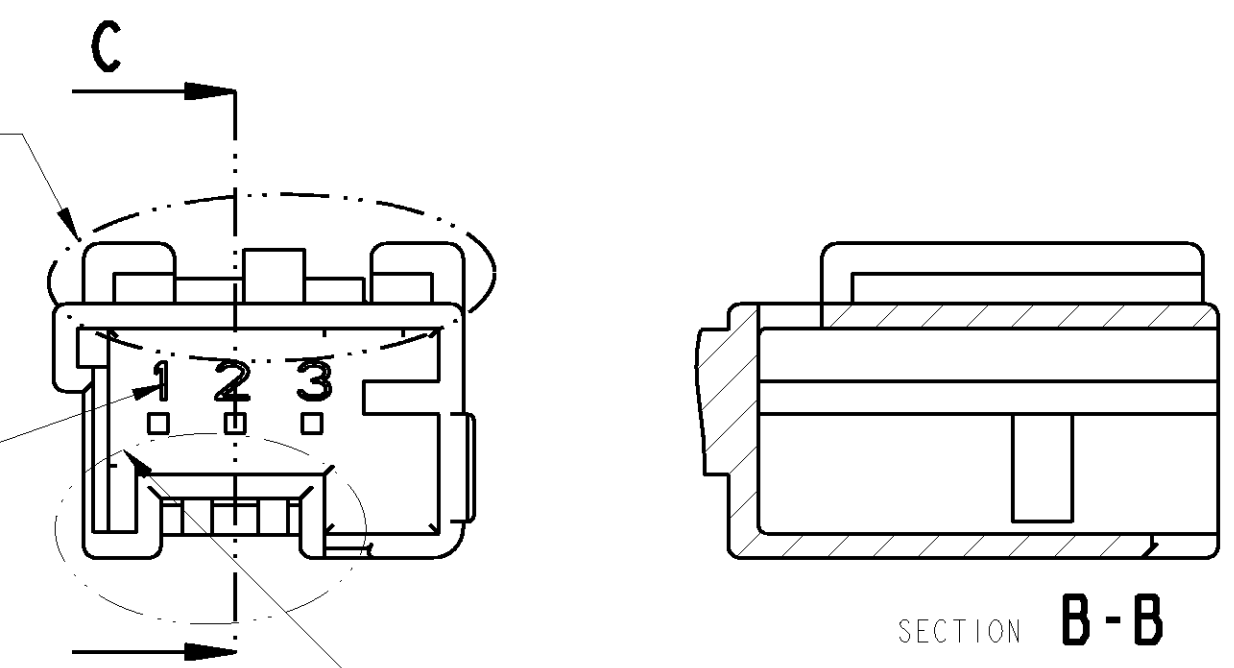
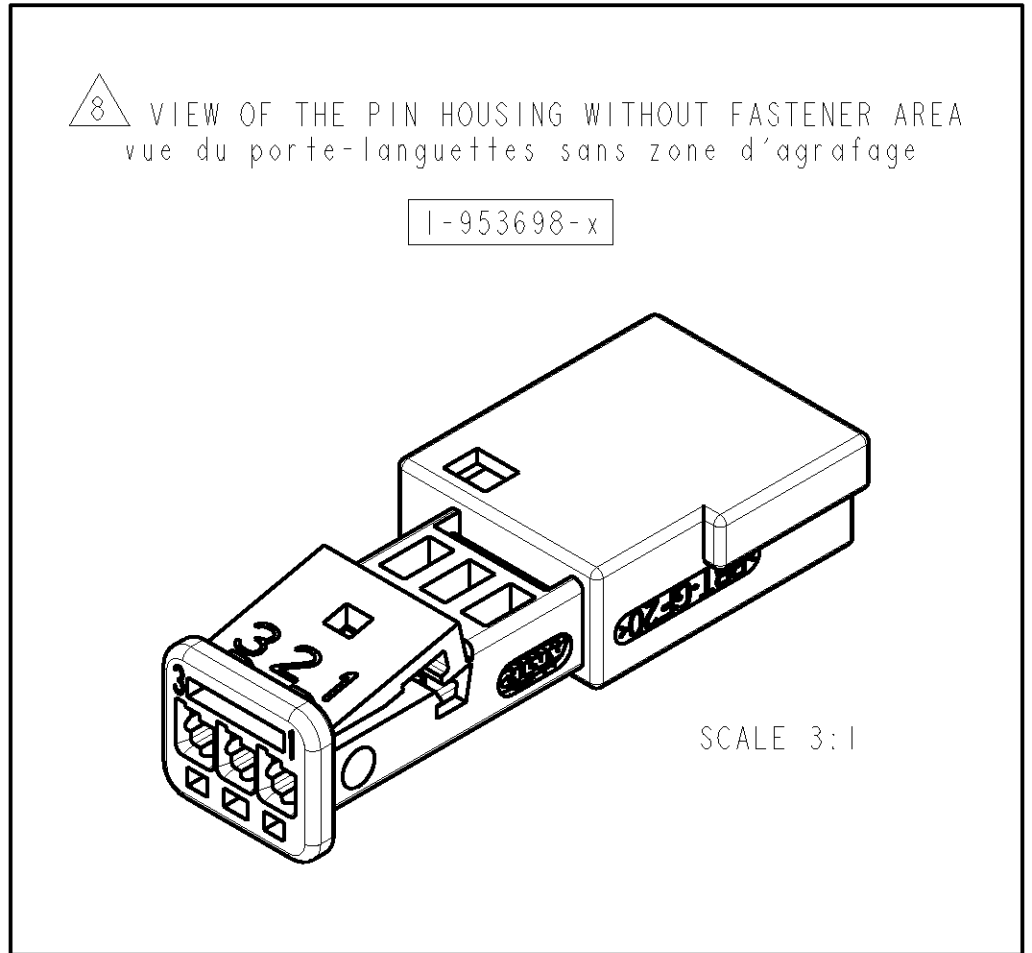
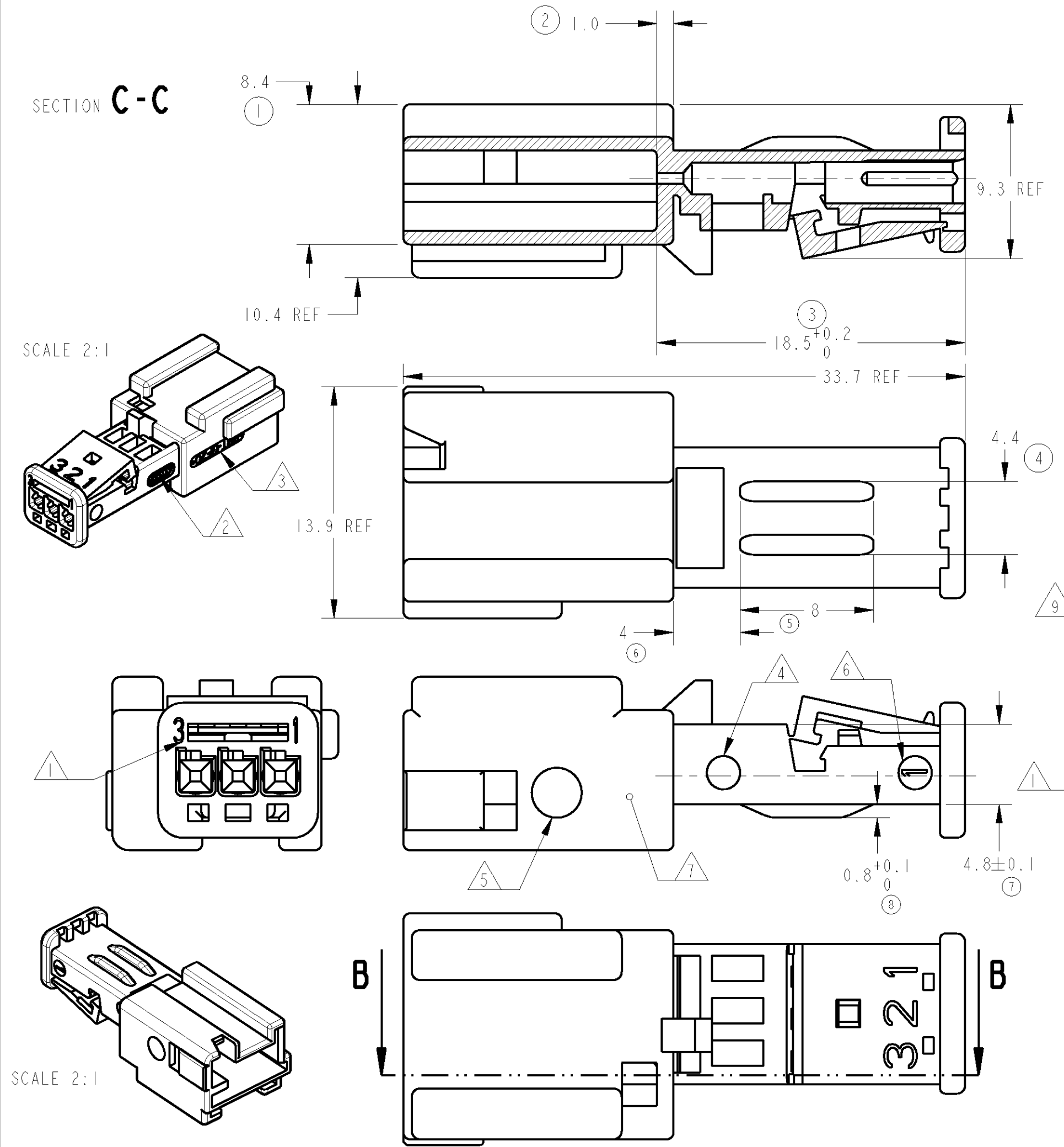
THIS DRAWING IS UNPUBLISHED. / DIFFUSION RESTREINTE
 RELEASED FOR PUBLICATION / LIBRE A LA DIFFUSION
 2006
 © COPYRIGHT 2006 BY TYCO ELECTRONICS CORPORATION. ALL RIGHTS RESERVED. / TOUS DROITS RESERVES

LOC		DIST		REVISIONS			
F	00	P	LTR	DESCRIPTION MODIFICATIONS	DATE	DWN DESS.	APVD APP.

KEYING TABLE (table de detrompage)

COLOR / couleur	BLACK / noir	WHITE / blanc	BLUE / bleu	YELLOW / jaune	GREY / gris	BROWN / marron
DETAIL Z / ECHELLE 4:1						
TYCO PN (ref TYCO) WITH THE FASTENER AREA	0-953698-1	0-953698-2	0-953698-3	0-953698-4	0-953698-5	0-953698-6
TYCO PN (ref TYCO) WITHOUT THE FASTENER AREA	1-953698-1	1-953698-2	1-953698-3	1-953698-4	1-953698-5	1-953698-6

- ① CAVITY MARKING / repères alvéoles
- ② AMP STAMP OR TYCO STAMP FOLLOWING MOLD / logo AMP ou logo TYCO suivant moule
- ③ MATERIAL IDENTIFICATION / identification matiere
- ④ MOLD IDENTIFICATION OPTIONAL / identification moule optionnel
- ⑤ MOLD REVISION NUMBER OPTIONAL / indice de revision moule optionnel
- ⑥ MOLD CAVITY IDENTIFICATION NUMBER / numero d'empreinte du moule
- ⑦ EXCHANGEABLE MANUFACTURING DATE STD OR YEAR/MONTH / date de fabrication échangeable std ou annee/mois
- ⑧ REMOVABLE FASTENER AREA / zone d'agrafage kit de conversion



THIS DRAWING IS A CONTROLLED DOCUMENT FOR TYCO ELECTRONICS CORPORATION. IT IS SUBJECT TO CHANGE AND THE CONTROLLING ENGINEERING ORGANIZATION SHOULD BE CONTACTED FOR THE LATEST REVISION. / CE PLAN EST UN DOCUMENT CONTROLÉ PAR AMP INCORPORATED. IL EST SUSCEPTIBLE D'ÊTRE REVISÉ. CONTACTER LE SERVICE TECHNIQUE D'AMP DE FRANCE POUR OBTENIR LA DERNIÈRE RÉVISION.		DWN/DESSINE / M. POLIFONIE / 22MAR2006	Tyco Electronics France SAS 95300 Pontoise, France
DIMENSIONS: / mm		CHK/VERIFIE / X. ROULLARD / 22MAR2006	
TOLERANCES UNLESS OTHERWISE SPECIFIED: / TOLERANCES NON SPECIFIEES		APVD/APPROUVE / J. DAHER / 22MAR2006	NAME / TITRE / 3 POS. MQS PIN HOUSING / POSITIVE MATE / porte-languettes 3 voies MQS avaloir
MATERIAL/MATIERE / PBT-GF20		PRODUCT SPEC / SPEC, PRODUIT / 108-15226	SIZE / FORMAT / A2
FINISH/FINITION		APPLICATION SPEC / SPEC, APPLICATION / 411-15626	CAGE CODE / DRAWING NO / No PLAN / 00779 / C-953698
		WEIGHT / MASSE APPROX. / 1.8g	RESTRICTED TO / RESERVE A / -
		CUSTOMER DRAWING / PLAN CLIENT	UNIQUEMENT / POUR REFERENCE / SCHEMA / ECHELLE 4:1
			SHEET / FEUILLE / OF / DE / REV / A