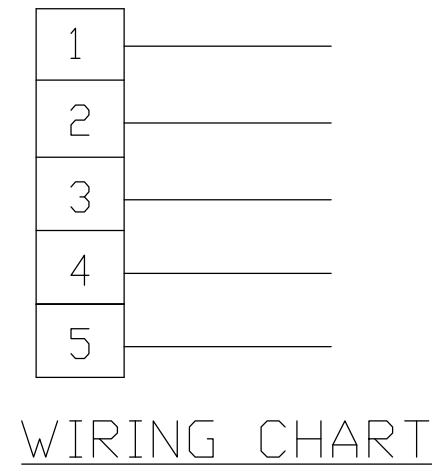
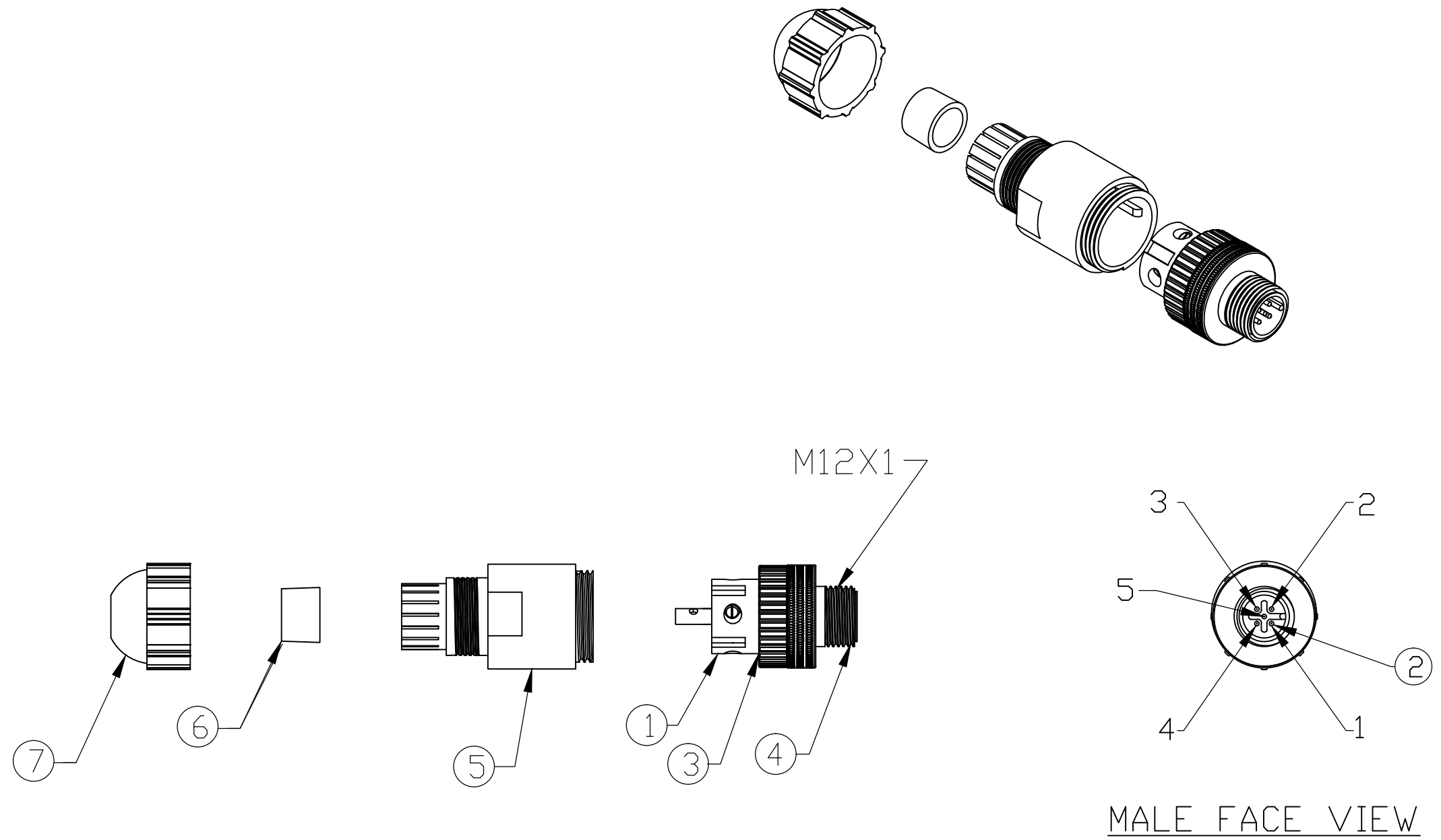
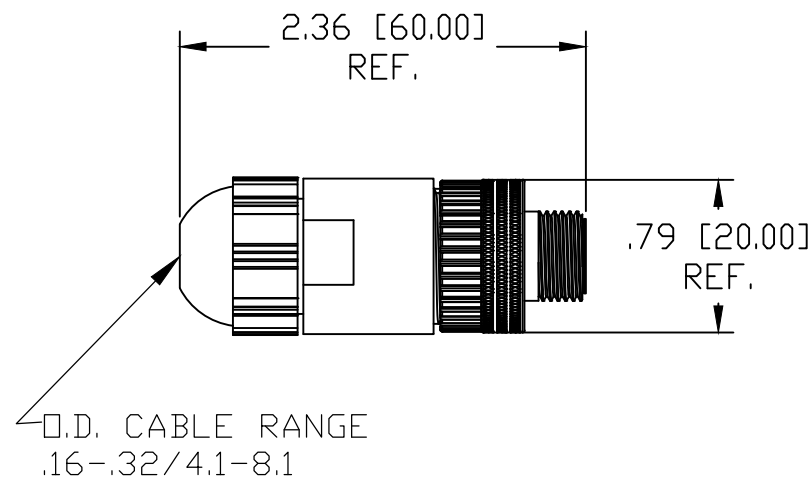


MATERIAL NUMBER	ENGINEERING NUMBER
1200710047	8A5006-32



VOLTAGE RATING	30VAC/36VDC
AMPERAGE RATING	4 AMPS
PROTECTION	IP67
OPERATING TEMPERATURE	-25°C TO 90°C
CSA CERTIFICATIONS	CSA CERTIFIED, FILE NO. LR6837

ITEM		COMPONENT	MATERIAL	FINISH
1	1	INSERT	POLYAMIDE	BLACK
2	5	CONTACTS	COPPER ALLOY	SILVER PLATED
3	1	O-RING	NITRILE	BLACK
4	1	COUPLING NUT	BRASS	NICKEL PLATED
5	1	MOLDED BODY	POLYAMIDE	BLACK
6	1	GROMMET	NITRILE	BLACK
7	1	CORD GRIP BODY	POLYAMIDE	BLACK

**PRE-RELEASE REFERENCE USE ONLY**

RELEASE EC NO: WNA2011-0223 12/2/10  
DRWN: TWOLDEGE  
CHKD: BRUPERT  
APPR: JFMURPHY

QUALITY SYMBOL  
▽=0  
◻=0

DESCRIPTION  
REV

GENERAL TOLERANCES (UNLESS SPECIFIED)		DIMENSION STYLE	SCALE	DESIGN UNITS	THIRD ANGLE PROJECTION
	mm INCH	---	1:1	INCH	
4 PLACES	±---	DRAWN BY DATE	TITLE		
3 PLACES	±---	TWOLDEGE 2009/08/11	MIC 5P MALE ATTACH		
2 PLACES	±--- ±.01	CHECKED BY DATE	.16-.32 O.D. CABLE RANGE		
1 PLACE	±0.3 ±---	BWOODMAN 2009/08/10	PG9 CABLE FITTING		
ANGULAR ±---°		APPROVED BY DATE	MOLEX INCORPORATED		
DRAFT WHERE APPLICABLE MUST REMAIN WITHIN DIMENSIONS		MATERIAL NO.	DOCUMENT NO.	SHEET NO.	
		1200710047	SD-120071-007	1 OF 1	
THIS DRAWING CONTAINS INFORMATION THAT IS PROPRIETARY TO MOLEX INCORPORATED AND SHOULD NOT BE USED WITHOUT WRITTEN PERMISSION					