

# TST01

**1PH Thyristorstack 8A..25A**

**ULTRA COMPACT 45mm**



## What is the TST01 designed for?

- Continuous control of 1PH electric heater elements
  - With or without transformer
  - Fast reacting IR-Lamps
- Continuous control of small 1PH motors for fans and pumps
  - Control range 50 to 100% of full speed
- Easy use and simple wiring
- Compact mounting for space saving cabinet design
- Fully isolated control input and start/enable signal



## Features

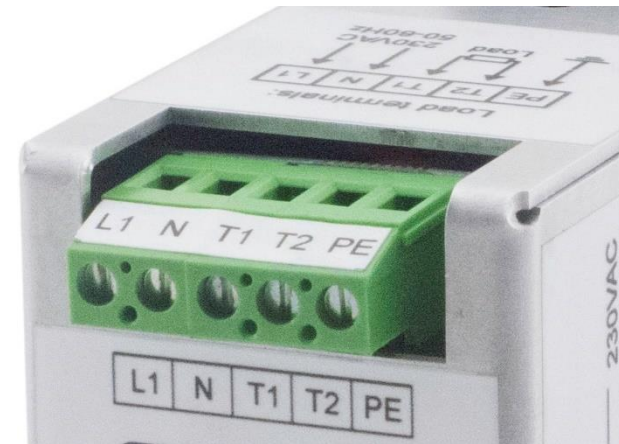
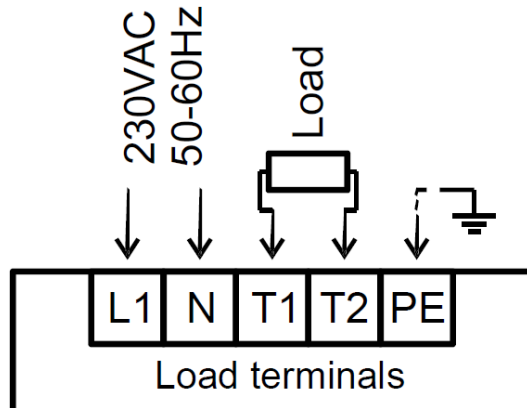
- 8A..25A maximum load current at 50°C ambient
- 230VAC load voltage
- Ultra compact size for all - 45mm width
- Low power dissipation 0,9W/A load current
- Auxiliary voltage internally taken from load voltage
- Phase angle firing
- Voltage control – linear input/output ratio
- Isolated 0..10V control input
- Start/Enable contact input
- Alarm relay
- DIN-Rail mounting
- Temperature controlled fan





## Wiring power

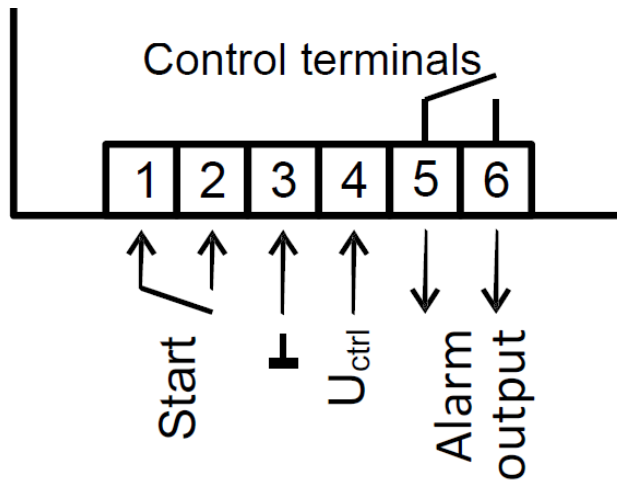
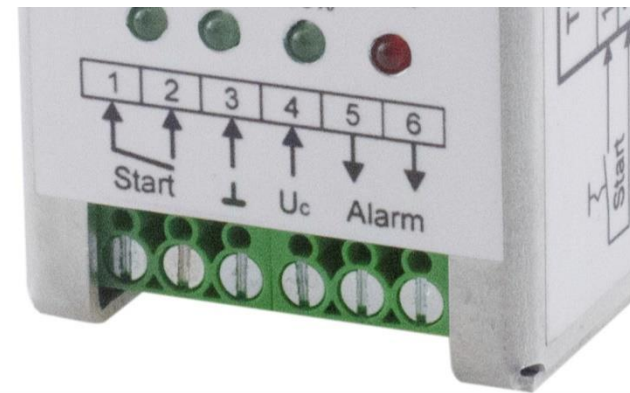
- Only 5 wires for the power circuit





## Wiring control circuit

- Only 4 wires for basic function
  - Start signal (a must)
  - Control input
- Alarm output = optional





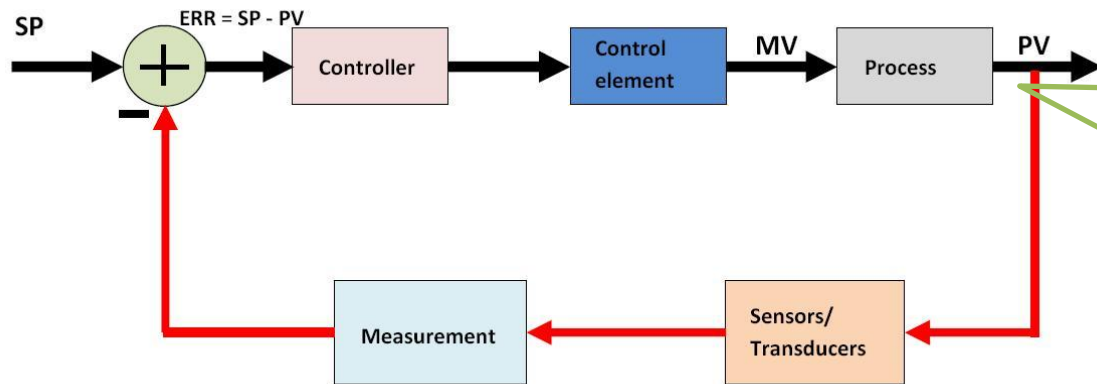
## Applications

- Continuous control of industrial heaters
- Control for short wave infrared lamps
- Ballast-/load-control for solar-, wind- and hydraulic power plant
- Packaging machines, vacuum forming machines, blow forming machines
- Drying plants and gluing machines
- Dental furnaces, ceramic furnaces
- Fan control, small pump control
- Laboratory equipment, R&D and apparatus



# Applications

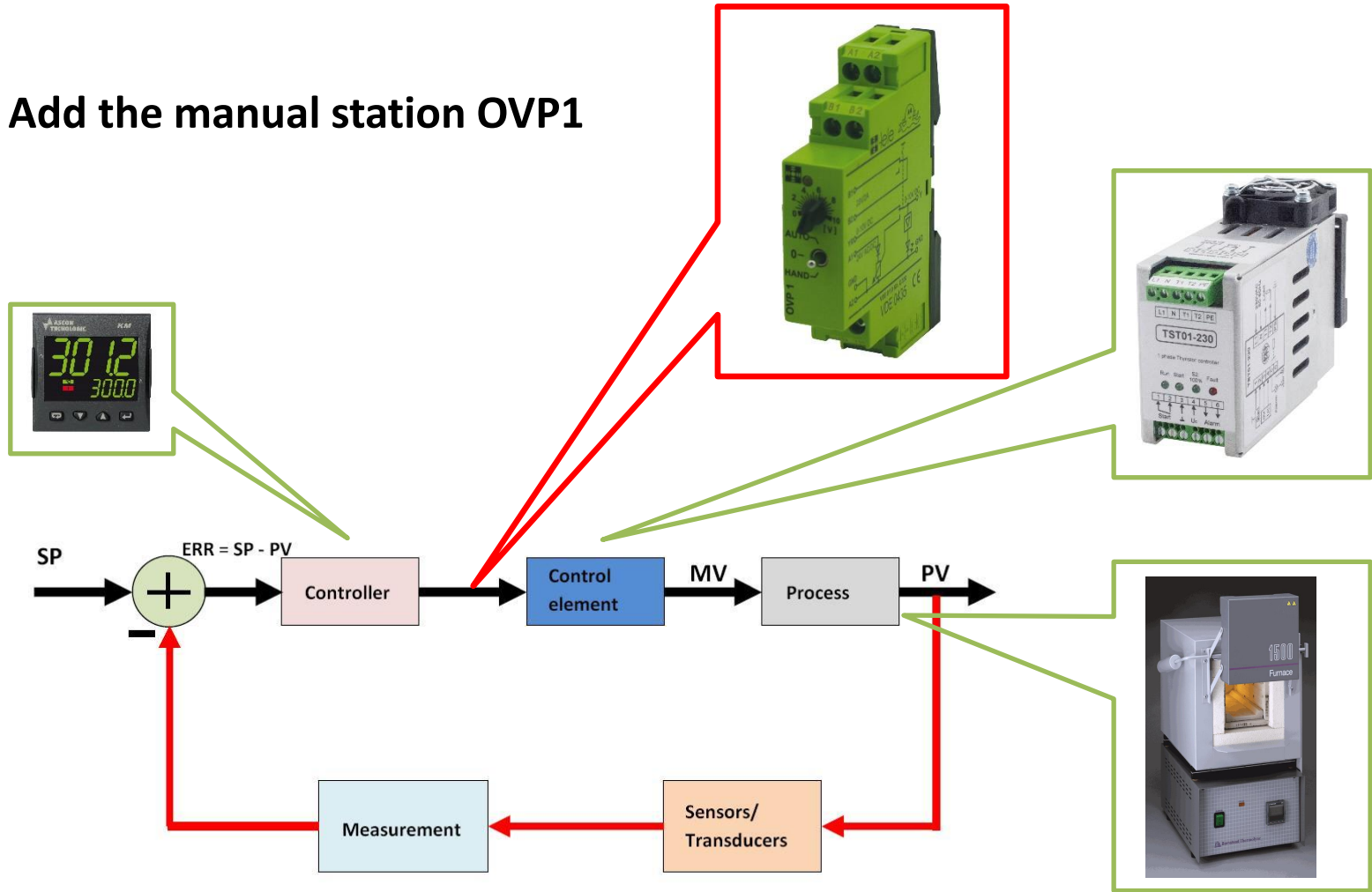
- Continuous control of industrial heaters





# Help for easy maintenance and commissioning

- Add the manual station OVP1





# OVP1

## AUTO/0/MANUAL station

### COMPACT 17,5mm

## What is the OVP1 designed for?



- Auto/Manual unit for a 0..10V control signal
  - With manual 0..100% hand potentiometer
  - With auto/manual/zero switch
  - With relay indication of manual/zero status
  - With buffered output signal
- Easy opening the control loop without wiring
- Easy function test for the control element (stack, valve, pump)
- Easy function test at manual defined stages 0, 25%, 50%, 75%, 100%
- Easy way to maintain the process while working on the controller.

## Features

- 0..10V buffered output voltage
- 24VDC/AC auxiliary supply
- Ultra compact size 17,5mm (1TE) width
- Low power dissipation 0,56W
- Hand adjustable potentiometer with 0..10V scale
- Hand/0/Auto switch at the front
- Status relay for manual mode
- DIN-Rail mounting
- Operating range up to 55°C



# Applications

- Auto/Manual station
- Direct control of stacks, fans, valves and pumps with analogue input
- Open/close the control loop without wiring
- Laboratory equipment, R&D and apparatus



## Overview



- A solution to control the electric power in electric heaters and motors
- Easy maintenance and commissioning
- Compact size for small cabinets and apparatus
- Robust case and industrial operating temperature range
- Low power dissipation in operation and standby
- Easy and cost saving wiring



## Applications



Wind power plant



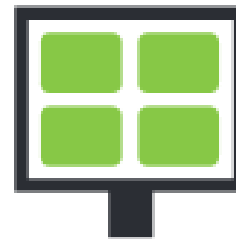
Hydropower station



Combined heat and  
power plant



Biomass power plant



Photovoltaic

# Thank you for your attention

For further technical information please contact:

**Christian Kunst**

[Christian.kunst@tele-haase.at](mailto:Christian.kunst@tele-haase.at)