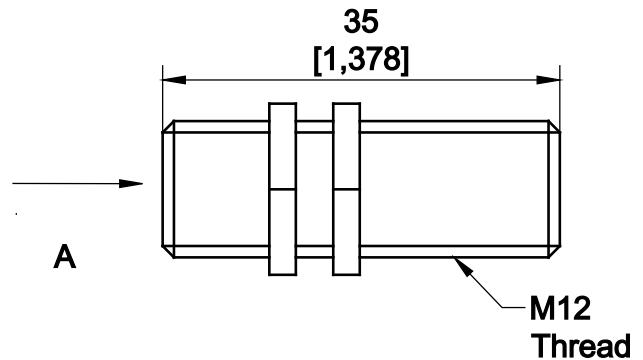


M12 Threaded Magnet
Part Number : PTSM
Product Data Sheet

PICTURE	DIMENSIONS
---------	------------



✓ RoHS Compliant

Drawings not to scale
 All dimensions in mm nominal

SPECIFICATION	
Length	35mm
Thread	M12
Fixing nuts Size	16mm A/F
Gauss strength at surface (directon A)	750
Material	Brass, Bright Nickel plated

Applications Include	Options
<ul style="list-style-type: none"> ● Position and limit sensing. ● Linear actuators. ● Security system switch. ● Automated machinery. 	<ul style="list-style-type: none"> ● Plastic version available ● If you do not see what you need, jusk ask, as there is a strong possibility we can do it !

Rev. No.	Revision Note	Date	Signature
1	Datasheet	28-02-12	ML



As part of the company policy of continued product improvement, specifications may change without notice. Our sales office will be pleased to help you with the latest information on this product range and the details of our full design and manufacturing service. All products are supplied to our standard conditions of sale unless otherwise agreed in writing.

Phone : +44 (0)1255 862236 www.assemtech.co.uk Fax: +44 (0)1255 862014