

FEATURES

- Material is stainless steel
- Micro D connector type
- Thread Size is UNC 2-56

RS PRO Jack Screw Locking Connector

RS Stock No.: 453-943



RS Professionally Approved Products bring to you professional quality parts across all product categories. Our product range has been tested by engineers and provides a comparable quality to the leading brands without paying a premium price.

Product Description

RS PRO stainless steel jack screws and posts for locking coupled connectors, 2-56 UNC. Jackscrews are used to mount D-sub connectors to larger pieces of equipment

[453-959](#) - Jack Posts for locking connector

[453-943](#) - Jack Screw for locking connector, slotted screw head

General Specifications

Accessory Type	Jack Screw
For Use With	Locking Connector
Material	Stainless Steel
Thread Size	UNC 2-56
Application	Typically used in situations that have the need for an effective, tight lock, Soft coated surfaces & slotted holes, Preventing mechanical stress, provide EMI/RFI shielding and protection from the elements, Industrial, commercial and domestic applications and environments

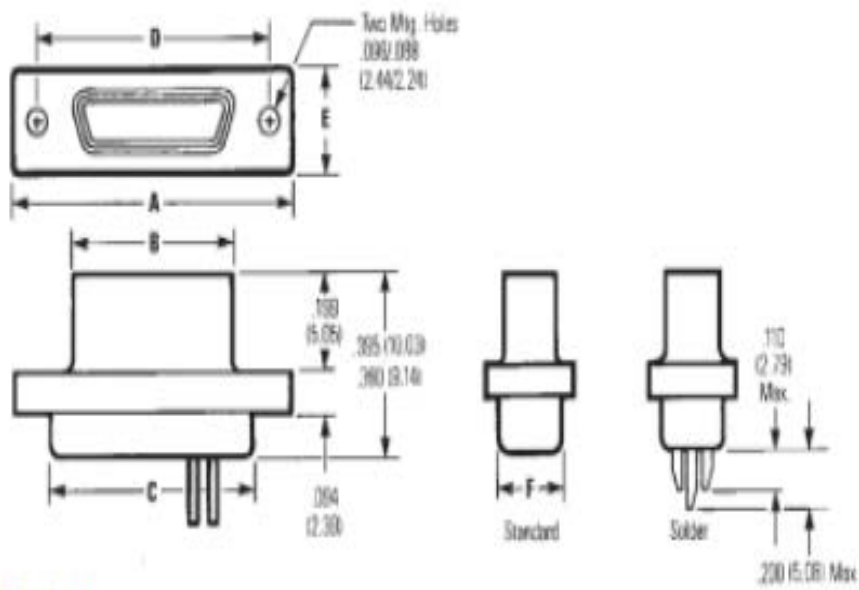
Approvals

Compliance/Certifications	2011/65/EU and 2015/863
----------------------------------	-------------------------

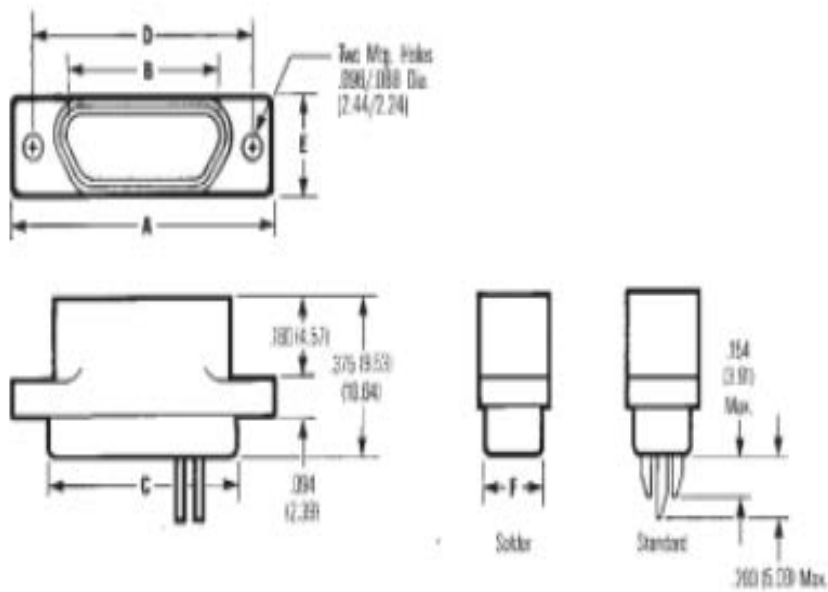




Plug



Socket



No. of Contacts	A		B Max. (Plug) Min. (Socket)		C +.010" (.254) -.018" (.457)		D ±.005" (.127)		E ±.010" (.254)		F Max.	
	±.010" (.254)											
	in	mm	in	mm	in	mm	in	mm	in	mm	in	mm
9 Plug	.778	19.76	.2918	7.41	.398	10.11	.565	14.35	.208	5.28	.173	4.39
9 Socket	.778	19.76	.2922	7.42	.398	10.11	.565	14.35	.208	5.28	.173	4.39
15 Plug	.928	23.57	.4418	11.22	.548	13.92	.715	18.16	.208	5.28	.173	4.39
15 Socket	.928	23.57	.4422	11.23	.548	13.92	.715	18.16	.208	5.28	.173	4.39
21 Plug	1.078	27.38	.5918	15.03	.698	17.73	.865	21.97	.208	5.28	.173	4.39
21 Socket	1.078	27.38	.5922	15.04	.698	17.73	.865	21.97	.208	5.28	.173	4.39
25 Plug	1.178	29.92	.6918	17.57	.798	20.27	.965	24.51	.208	5.28	.173	4.39
25 Socket	1.178	29.92	.6922	17.58	.798	20.27	.965	24.51	.208	5.28	.173	4.39
31 Plug	1.328	33.73	.8418	21.38	.948	24.08	1.115	28.32	.208	5.28	.173	4.39
31 Socket	1.328	33.73	.8422	21.39	.948	24.08	1.115	28.32	.208	5.28	.173	4.39
37 Plug	1.478	37.54	.9918	25.19	1.098	27.89	1.265	32.13	.208	5.28	.173	4.39
37 Socket	1.478	37.54	.9922	25.20	1.098	27.89	1.265	32.13	.208	5.28	.173	4.39
51 Plug	1.428	36.27	.9418	23.92	1.048	26.62	1.215	30.86	.250	6.35	.220	5.59
51 Socket	1.428	36.27	.9422	23.93	1.048	26.62	1.215	30.86	.250	6.35	.220	5.59